



MPX 24 COMPACT MPX 20/24 MI COMPACT MPX 24/28 MI COMPACT MPX 28/33 MI COMPACT

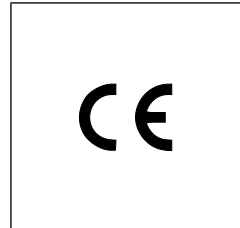
en	CONDENSING GAS WALL-HUNG BOILERS <i>Instructions manual for users and fitters</i>
pl	NAŚCIENNY GAZOWY KOCIOŁ KONDENSACYJNY <i>Instrukcja obsługi dla użytkowników i instalatorów</i>
cs	PLYNOVÝ ZÁVĚSNÝ KONDENZAČNÍ KOTEL <i>Návod na použití určený pro uživatele a instalátora</i>
sk	PLYNOVÝ ZÁVESNÝ KONDENZAČNÝ KOTOL <i>Návod na použitie určený pre používateľa a inštalátora</i>
fr	CHAUDIÈRES MURALES A GAZ A CONDENSATION <i>Notice d'emploi et d'installation destinée à l'utilisateur et à l'installateur</i>
ro	CENTRALĂ TERMICĂ MURALĂ CU CONDENSARE, PE GAZ <i>Manual de instrucțiuni destinat utilizatorului și instalatorului</i>
el	ΕΠΙΤΟΙΧΙΟΣ ΛΕΒΗΤΑΣ ΑΕΡΙΟΥ ΣΥΜΠΥΚΝΩΣΗΣ <i>Εγχειρίδιο χρήσης για τον χρήστη και τον εγκαταστάτη</i>
ru	НАСТЕННЫЙ ГАЗОВЫЙ КОНДЕНСАЦИОННЫЙ КОТЕЛ <i>Паспорт изделия. Руководство по установке и эксплуатации</i>



Dear Customer,
 Our company is confident our new product will meet all your requirements. Buying one of our products guarantees all your expectations: good performance combined with simple and rational use.
 Please do not put this booklet away without reading it first: it contains useful information for the correct and efficient use of your product.

Our company declares that these products are marked **CE** in compliance with the essential requirements of the following Directives:

- Gas Directive **2009/142/EC** (until 20 April 2018)
- Gas regulation (EU) **2016/426** (since 21 April 2018)
- Efficiency Directive **92/42/EEC**
- Electromagnetic Compatibility Directive **2014/30/EU**
- Low Voltage Directive **2014/35/EU**
- Ecodesign directive **2009/125/EC**
- Regulation (EU) No **2017/1369** (for boilers with Power<70kW)
- Ecodesign regulation (EU) No **813/2013**
- Energy labelling regulation (EU) No **811/2013** (for boilers with Power<70kW)



Our company, constantly striving to improve the products, reserves the right to modify the details given in this documentation at any time and without notice. These Instructions are only meant to provide consumers with use information and under no circumstance should they be construed as a contract with a third party.

The appliance can be used by children aged 8 or over and by people with reduced physical, sensory or mental faculties, or who do not have the required experience or knowledge, provided they are supervised or have received instructions on using the appliance safely and understanding its intrinsic hazards. Children must not play with the appliance. The cleaning and maintenance operations reserved to the user must not be performed by unsupervised children.

CONTENT

DESCRIPTION OF SYMBOLS	3
SAFETY WARNINGS.....	3
GENERAL PRECAUTIONS	4
ENERGY-SAVING TIPS.....	4
1. COMMISSIONING THE BOILER.....	5
1.1 ADJUSTING THE CH AND DHW FLOW TEMPERATURE	5
1.2 OPERATING MODES	5
2. PROLONGED SHUTDOWN. ANTI-FREEZE PROTECTION	6
3. GAS CONVERSION	6
4. FAULTS	6
5. BOILER INFORMATION MENU	7
6. SWITCHING OFF THE BOILER	7
7. FILLING THE SYSTEM.....	7
8. ROUTINE MAINTENANCE INSTRUCTIONS.....	7
INSTRUCTIONS PRIOR TO INSTALLATION	8
9. INSTALLING THE BOILER	8
9.1 CONTENTS OF PACK.....	8
9.2 BOILER DIMENSIONS AND GAS WATER CONNECTIONS	8
10. INSTALLING THE DUCTS	9
10.1 CONCENTRIC DUCTS	9
10.2 SEPARATE DUCTS	10
11. ELECTRICAL CONNECTIONS.....	11
11.1 CONNECTING THE ROOM THERMOSTAT.....	11
11.2 ACCESSORIES NOT INCLUDED IN THE SUPPLY.....	11
12. SPECIAL FUNCTIONS	12
12.1 INITIAL IGNITION	12
12.2 SYSTEM GAS EXTRACTION FUNCTION	12
12.3 CHIMNEY SWEEPER.....	12
12.4 COMBUSTION TEST (CO ₂).....	13
COMBUSTION ADJUSTMENT FUNCTION (CO ₂ %)	13
13. GAS VALVE.....	13
13.1 GAS CONVERSION METHODS	13
14. PARAMETERS SETTING	14
14.1 ADJUSTING MAXIMUM HEATING POWER	15
15. TROUBLESHOOTING SERVICE FAULTS	15
16. ADJUSTMENT AND SAFETY DEVICES	17
17. PUMP CAPACITY/ HEAD	17
18. ANNUAL SERVICING	18
18.1 COMBUSTION PARAMETERS	18
18.2 HYDRAULIC UNIT	18
18.3 POSITIONING THE ELECTRODES	19
18.4 REPLACEMENT OF PARTS.....	19
AUTOMATIC CALIBRATION FUNCTION	19
19. DISMANTLING, DISPOSAL AND RECYCLING	19
20. TECHNICAL SPECIFICATIONS	20
21. TECHNICAL PARAMETERS	21
22. PRODUCT FICHE.....	22

DESCRIPTION OF SYMBOLS



WARNING

Risk of damage to, or malfunction of the appliance. Pay special attention to the warnings concerning danger to people.



DANGER OF BURNS

Wait for the appliance to cool down before working on the parts exposed to heat.



DANGER - HIGH VOLTAGE

Live components - electrocution hazard.



FIRE HAZARD

Potentially flammable material or gas.



DANGER OF FREEZING

Possible formation of ice due to low temperatures.



IMPORTANT INFORMATION

Information to read with particular care as it is useful for the correct operation of the boiler.



GENERIC PROHIBITION

It is forbidden to do/use the things indicated alongside the symbol.

SAFETY WARNINGS

SMELL OF GAS

- Switch off the boiler.
- Do not activate any electrical device (such as switching on the light).
- Put out any naked flames and open the windows.
- Call an Authorised Service Centre.

SMELL OF COMBUSTION FUMES

- Switch off the boiler.
- Open all the doors and windows to ventilate the room.
- Call an Authorised Service Centre.

FLAMMABLE MATERIAL

Do not use and/or store highly flammable material (thinners, paper, etc.) near the boiler.

SERVICING AND CLEANING THE BOILER

Switch off the boiler before working on it.



Do not leave any packaging (plastic bags, polystyrene, etc.) within the reach of children as they are a potential source of danger.



The appliance is not intended to be used by persons with reduced physical, sensory or mental capacities, or who lack experience or knowledge, unless, through the mediation of a person responsible for their safety, they have had the benefit of supervision or of instructions on the use of the appliance.

GENERAL PRECAUTIONS

This boiler has been designed to heat water to a temperature lower than boiling point at atmospheric pressure. It must be connected to a central heating system and to a domestic hot water supply system according to its performance and power output. Before having the boiler installed by a qualified service engineer, make sure the following operations are performed:

- Make sure that the boiler is adjusted to use the type of gas delivered by the gas supply. To do this, check the markings on the packaging and the data label on the appliance.
- Make sure that the flue terminal draft is appropriate, that the terminal is not obstructed and that no exhaust gases from other appliances are expelled through the same flue duct, unless the latter has been specially designed to collect exhaust gas from more than one appliance, in compliance with current laws and regulations.
- Make sure that, if the boiler is connected to existing flue ducts, these have been thoroughly cleaned as residual products of combustion may detach from the walls during operation and obstruct the flow of fumes.
- To ensure correct operation and maintain the warranty, observe the following precautions:

1. DHW circuit

1.1 If the water is harder than 20 °F (1 °F = 10 mg calcium carbonate per litre of water), install a polyphosphate dispenser or an equivalent treatment system, compliant with current regulations.

1.2 Thoroughly flush the system after installation of the appliance and before use.

1.3 The materials used for the DHW circuit comply with Directive 98/83/EC.

2. Heating circuit

2.1 New system: Before installing the boiler, the system must be cleaned and flushed to eliminate residual thread-cutting swarf, solder and any solvents, using suitable off-the-shelf non-acid and non-alkaline products that do not damage metal, plastic and rubber parts. To protect the system from scale, use inhibitors such as SENTINEL X100 and FERNOX protector for heating circuits. Use these products in strict compliance with the manufacturers' instructions.

2.2 Existing system: Before installing the boiler, drain the system and clean it to remove sludge and contaminants, using suitable proprietary products. Recommended cleaning products are: SENTINEL X300 or X400 and FERNOX regenerator for heating circuits. Use these products in strict compliance with the manufacturers' instructions. Remember that the presence of foreign bodies in the heating system can adversely affect boiler operation (e.g. overheating and excessive noise of the heat exchanger).

Initial lighting of the boiler must be carried out by an authorised Service Engineer who must first ensure that:

- The rated data correspond to the supply (electricity, water and gas) data.
- That the installation complies with current regulations.
- The appliance is correctly connected to the power supply and earthed.



Failure to observe the above will render the warranty null and void. Prior to commissioning, remove the protective plastic coating from the boiler. Do not use any tools or abrasive detergents to do this as you may damage the painted surfaces.

ENERGY-SAVING TIPS

Adjustment in the heating mode

Adjust the boiler flow temperature depending on the kind of system. For systems with radiators, set a maximum heating water flow temperature of approximately 60°C, and increase this value if the required room temperature is not reached. For systems with radiant floor panels, do not exceed the temperature indicated by the system designer. Use the External Sensor and/or Control Panel to automatically adjust the flow temperature to atmospheric conditions or the indoor temperature. This ensures that no more heat than that effectively necessary is produced. Adjust the room temperature without overheating the rooms. Every extra degree centigrade means consuming approximately 6% more. Also room ambient temperature depending on how the rooms are used. For example, the bedroom or the least used rooms can be heated to a lower temperature. Use the programmable timer and set the night-time room temperature at approximately 5°C lower than that during the day. There is no appreciable saving to be achieved by setting it any lower. Only in case of a prolonged absence, such as a holiday, should the temperature setpoint be lowered. Do not cover radiators as this prevents the air from circulating correctly. Do not leave the windows partially open to ventilate the rooms but open them completely for a short period.

Domestic hot water

Setting the domestic hot water at the required temperature without mixing it with cold water saves a lot of money. Additional heating wastes energy and creates additional scale.

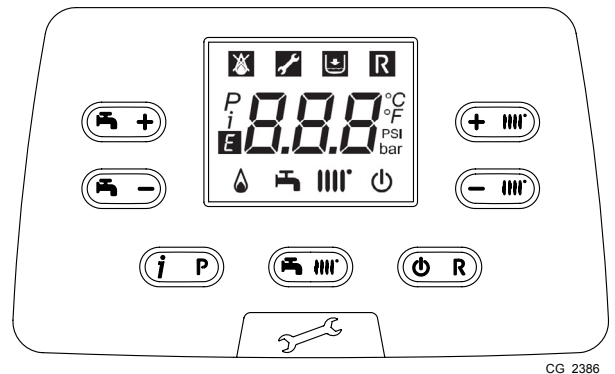
1. COMMISSIONING THE BOILER

To light the boiler correctly, proceed as follows:

- Check that the system pressure is correct (section 7);
- Power the boiler;
- Open the gas tap (yellow, positioned under the boiler);
- Select the required heating mode (section 1.2).

Key to BUTTONS

	DHW temperature adjustment (+ to increase the temperature and – to decrease it)
	Heating water temperature adjustment (+ to increase the temperature and – to decrease it)
	Boiler operating information
	Operating mode: DHW – DHW & Heating – Heating Only
	Off – Reset – Exit menu/functions



CG_2386

Key to SYMBOLS

	Off: heating and DHW disabled (only boiler anti-freeze protection is active)		Burner lit
	Fault preventing the burner from lighting		DHW operating mode enabled
	Boiler/system water pressure low		Heating mode enabled
	Technical Service Centre call-in		Programming menu
	Manually resettable fault ()		Boiler information menu
	Fault in progress	°C, °F, bar, PSI	Set unit of measurement (SI/US)

1.1 ADJUSTING THE CH AND DHW FLOW TEMPERATURE

Press and respectively to adjust the CH and DHW flow temperature (if an external storage boiler is fitted). When the burner is lit, the display shows the symbol .

HEATING: while the boiler is operating in the heating mode, the display shows the flashing symbol and the heating delivery temperature (°C).

When connected to an External Sensor, and indirectly adjust the room temperature (factory setting 20°C - see section 11.2.1).

DHW: While the boiler is operating in the DHW mode, the display shows the flashing symbol and the primary boiler circuit temperature (°C).

1.2 OPERATING MODES

SYMBOL DISPLAYED	OPERATING MODE
	DHW
	DHW & HEATING
	HEATING ONLY

To enable the appliance in **DHW - Heating** or **Heating only** press repeatedly and choose one of the three available modes.

To disable the boiler operating modes whilst keeping the anti-freeze function enabled, press for at least 3 seconds. Just the symbol appears on the display (the display backlighting flashes if the boiler is blocked).

2. PROLONGED SHUTDOWN. ANTI-FREEZE PROTECTION

Do not drain the whole system as filling up with water again could cause unnecessary and harmful scale to build up inside the boiler and the heating elements. If the boiler is not used during winter and is therefore exposed to the danger of frost, add some specific anti-freeze to the water in the system (e.g.: propylene glycol coupled with corrosion and scale inhibitors). The electronic boiler management system includes a "frost protection" function for the heating system which, when delivery temperature falls below 5°C, lights the burner until a delivery temperature of 30°C is reached.



The function is operative if: the boiler is electrically powered, there is gas, system pressure is normal and the boiler is not blocked.

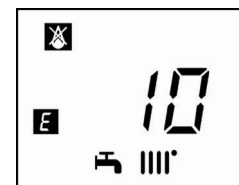
3. GAS CONVERSION

The boilers can operate both on natural gas (G20) and LPG (G31). All gas conversions must be made by the AUTHORISED TECHNICAL SERVICE CENTRE.

4. FAULTS


The faults shown on the display are identified with the symbol **E** and a number (fault code). For a complete list of faults, see the following table.

If **R** appears on the display the fault must be RESET by the user.
To RESET the boiler, press and hold down **ON/R** for 2 seconds. If faults are displayed frequently, call the Authorised Service Centre.







E	Description of fault	Action
09	Gas valve connection error	Call the Authorised Service Centre.
10	External probe sensor faulty	Call the Authorised Service Centre.
12	Hydraulic differential pressure switch switching failure	Call the Authorised Service Centre.
13	Hydraulic differential pressure switch contacts stuck	Call the Authorised Service Centre.
15	Gas valve control error	Call the Authorised Service Centre.
18	Hydraulic circuit automatic filling in progress	Wait for the end of the filling cycle
19	Fault in system filling phase	Press and hold down R for at least 2 seconds.
20	NTC flow sensor faulty	Call the Authorised Service Centre.
28	NTC fumes sensor faulty	Call the Authorised Service Centre.
40	NTC return sensor faulty	Call the Authorised Service Centre.
50	NTC domestic hot water sensor faulty (only for heating-only model with storage boiler)	Call the Authorised Service Centre.
53	Fumes outlet obstructed	Disconnect the boiler from the mains power supply for a few seconds. If the fault persists, call the authorised technical service centre
55	Electronic board not calibrated	Call the Authorised Service Centre.
83...87	Communication problem between boiler board and control unit. Probable short circuit on wiring.	Call the Authorised Service Centre.
92	Fumes fault during calibration (probable fumes recirculation)	Call the Authorised Service Centre.
109	Air in boiler circuit (temporary fault)	Call the Authorised Service Centre.
110	Safety thermostat tripped due to overtemperature (pump probably blocked or air in heating circuit).	Press and hold down R for at least 2 seconds.
117	Pressure in hydraulic circuit too high (> 2,7 bar)	Call the Authorised Service Centre.
118	Pressure in hydraulic circuit too low	Check that the pressure in the system is correct; See the FILLING THE SYSTEM section.
125	No circulation safety trip (control performed via a temperature sensor)	Press and hold down R for at least 2 seconds.
128	No flame	Press and hold down R for at least 2 seconds.
129	Loss of flame at ignition	Call the Authorised Service Centre.
130	Fumes NTC tripped due to overtemperature	Press and hold down R for at least 2 seconds.
133	Ignition failure (5 attempts)	Press and hold down R for at least 2 seconds.
134	Gas valve blocked	Press and hold down R for at least 2 seconds.
135	Internal board error	Press and hold down R for at least 2 seconds.

154	Delivery/return probe control test	Call the Authorised Service Centre.
160	Fan fault	Call the Authorised Service Centre.
178	Intervention of safety thermostat for excess temperature in low temperature system	Call the Authorised Service Centre.
270	Overheating exchanger	Call the Authorised Service Centre.
317	162	Call the Authorised Service Centre.
321	163	Call the Authorised Service Centre.
384	164	Parasite flame (internal error)
385	165	Input voltage too low
431	Exchanger sensor faulty	Call the Authorised Service Centre.


 **In the event of a fault, the display backlighting indicates the error code. 5 reset attempts can be performed after which the boiler shuts down. Wait 15 minutes before attempting to reset the boiler again.**

5. BOILER INFORMATION MENU

Press and hold down  for at least 1 second, to display the information indicated in the table. Press  to exit.

	DESCRIPTION		DESCRIPTION
00	Secondary fault internal code	06	Heating return temperature (°C)
01	Heating supply temperature (°C)	07	Flue sensor temperature (°C)
02	Outdoor temperature (°C)	08	Primary exchanger temperature (°C)
03	Indirect tank DHW temperature (boiler CH only)	09 - 13	Manufacturer information
04	Domestic hot water temperature (boiler with plate exchanger)	14	Identification Open Therm communication
05	Water pressure in heating system (bar)	15 - 18	Manufacturer information


6. SWITCHING OFF THE BOILER


To turn off the boiler, disconnect the electric power supply using the two-pole switch. In the “Off” operating mode  the boiler stays off but the electrical circuits remain powered and the anti-freeze function remains active.


7. FILLING THE SYSTEM

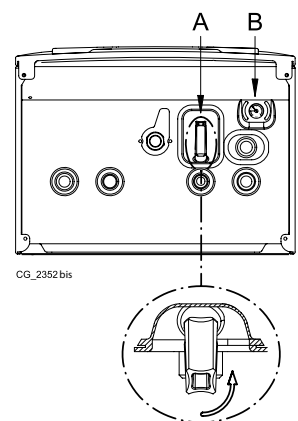
Regularly check that the pressure displayed on the pressure gauge **B** is 1 - 1.5 bar, with the boiler cold. If the pressure is too low, turn tap “**A**” to fill the boiler (figure to side).

A	Boiler/system filling tap
B	Pressure gauge

 **Take special care when filling the heating system. In particular, open any thermostat valves in the system, ensure the water enters slowly in order to prevent the formation of air inside the primary circuit until operating pressure is reached. Lastly, vent any radiators in the system. De Dietrich declines all liability for damage deriving from the presence of air bubbles in the primary exchanger due to the incorrect or imprecise observance of the above.**

 **The boiler is fitted with a hydraulic pressure gauge which prevents the boiler from working if there is no water.**

 **If pressure drops occur frequently, have the boiler checked by the AUTHORISED TECHNICAL SERVICE CENTRE.**



8. ROUTINE MAINTENANCE INSTRUCTIONS

To keep the boiler efficient and safe, have it checked by the Authorised Service Centre at the end of every operating period. Careful servicing ensures economical operation of the system.

INSTRUCTIONS PRIOR TO INSTALLATION

The following notes and instructions are addressed to fitters to allow them to carry out trouble-free installation. Instructions for lighting and using the boiler are contained in the 'Instructions for Users' section. Installation, servicing and running of domestic gas-fired systems must be performed by qualified technicians, in compliance with current regulations.

Additionally, bear in mind the following:

- When installing the unit in environments with temperatures lower than 0°C, take the necessary precautions to avoid the formation of ice in the siphon and in the condensation drain.
- This boiler can be connected to any type of double- or single-pipe convector plate, radiator or thermoconvector. Design the system sections as usual, though, bearing in mind the available flow-head at the plate, as shown in section 16.
- Do not leave any packaging (plastic bags, polystyrene, etc.) within the reach of children as they are a potential source of danger.
- Initial lighting of the boiler must be carried out by an authorised Service Engineer, as indicated on the attached sheet.

Failure to observe the above will render the guarantee null and void.

ADDITIONAL PUMP WARNING

If an additional pump is used on the heating system, position it on the boiler return circuit. This will allow the correct operation of the water pressure switch.

SOLAR WARNING

If the instantaneous (mixed) boiler is connected to a system with solar panels, the maximum temperature of the domestic hot water entering the boiler must not exceed **60°C**.



Do not leave any packaging (plastic bags, polystyrene, etc.) within the reach of children as they are a potential source of danger.

9. INSTALLING THE BOILER

The template outline is shown in annex "SECTION" C at the end of this manual.

After deciding the exact location of the boiler, fix the template to the wall. Connect the system to the gas and water inlets present on the lower bar of the template. Make sure the rear part of the boiler (back) is as parallel as possible to the wall (otherwise, shim the lower part). Fit two G3/4 taps (flow and return) on the central heating circuit; these taps make it possible to carry out important operations on the system without draining it completely. If you are either installing the boiler on an existing system or replacing one, as well as the above, fit a settling tank under the boiler on the system return line in order to collect any deposits and scale circulating in the system after flushing. After fixing the boiler to the template, connect the flue and air ducts, supplied as accessories, as described in the following sections. Connect the siphon to a drain trap, making sure the slope is continuous. Avoid horizontal stretches.



Do not lift the boiler exerting pressure on the plastic parts like the siphon and the flue turret.



Tighten the boiler water connections with care (maximum tightening torque 30 Nm).



Before starting up the boiler, fill the water siphon to prevent the fumes from diffusing in the room.

9.1 CONTENTS OF PACK

- Template (see figure in attachment "SECTION" C)
- Boiler support bar
- 8 mm expansion grips and pressure screws
- Condensation discharge pipe

ACCESSORIES supplied on request:

- Heating system flow/return taps, water input tap and telescopic joints
- Gas tap

9.2 BOILER DIMENSIONS AND GAS WATER CONNECTIONS

The dimensions of the boiler and the relative installation positions of the water connections are shown in the annex "SECTION" C at the end of the manual.

A	Condensate drain point	D	GAS inlet
B	Heating flow	E	Cold domestic water inlet / System filling tap
C	D.H.W. outlet (G1/2") / Boiler heating flow (G3/4")	F	Heating return

10. INSTALLING THE DUCTS

The boiler is easy and flexible to install thanks to the extensive range of available accessories, as described below. The boiler has been designed for connection to a vertical or horizontal coaxial flue-air duct. The boiler can also be used with separate ducts using the accessory splitting kit.

WARNINGS

C13, C33 The terminals for separate flues must be fitted inside a 50 cm square. Detailed instructions are provided with the individual accessories.

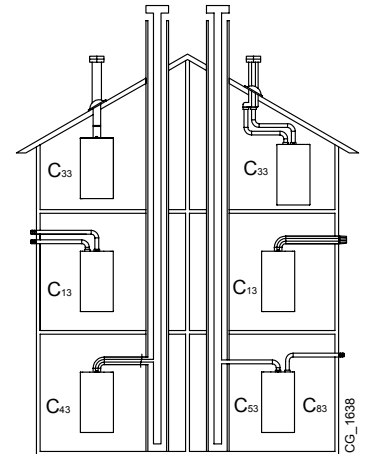
C53 Do not fit the flue and air duct terminals on opposite walls of the building.

C63 The pressure drop of the ducts must not exceed **100 Pa**. The ducts must be certified for this specific use and for a temperature in excess of 100°C. The flue terminal must be certified to EN 1856-1.

C43, C83 The flue terminal or flue duct must be suitable for the purpose.



To optimise operating safety, make sure the flue ducts are firmly fixed to the wall with suitable brackets. The brackets must be positioned over the joints at a distance of approximately 1 metre from one another.



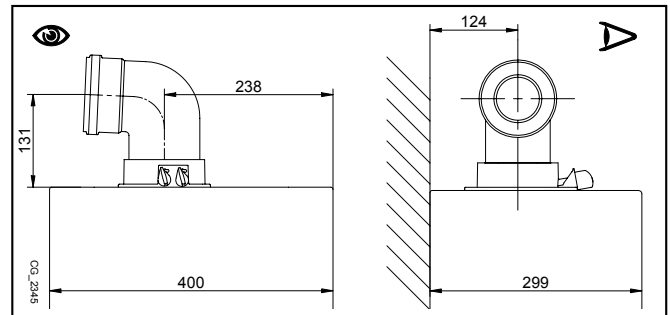
Read carefully the venting instructions contained in this manual and the ones supplied by the vent manufacturer, in case of discrepancies the venting instruction of this manual must be respected.

10.1 CONCENTRIC DUCTS

This type of duct is used to discharge exhaust fumes and draw combustion air both outside the building and if a LAS flue is fitted. The 90° coaxial bend allows the boiler to be connected to a flue-air duct in any direction as it can be rotated by 360°. It can also be used as a supplementary curve combined with a coaxial duct or a 45° curve.

If fumes are discharged outside the building, the flue-air duct must protrude at least 18 mm from the wall to allow an aluminium weathering surround to be fitted and sealed to avoid water infiltrations.

- A 90° bend reduces the total duct length by 1 metre.
- A 45° bend reduces the total duct length by 0.5 metres.
- The first 90° bend is not included when calculating the maximum available length.



Fasten the suction pipes using two galvanised Ø 4,2 mm self tapping screws with minimum length 19 mm. If not included with the supply, screws with the same characteristics must be sourced on the market separately.



Before securing the screws, make sure that at least 45 mm of the pipe is inserted into the gasket (see the figures in annex "SECTION" D at the end of this manual).



Make sure there is a minimum downward slope of 5 cm per metre of duct towards the boiler.



SOME OUTLET DUCT INSTALLATION EXAMPLES AND THEIR RELATIVE MAXIMUM LENGTHS ARE SHOWN IN ANNEX "SECTION" D AT THE END OF THIS MANUAL.

10.1.1 C43P EXHAUST TYPE

Collective positive pressure flue pipe for sealed chamber boilers

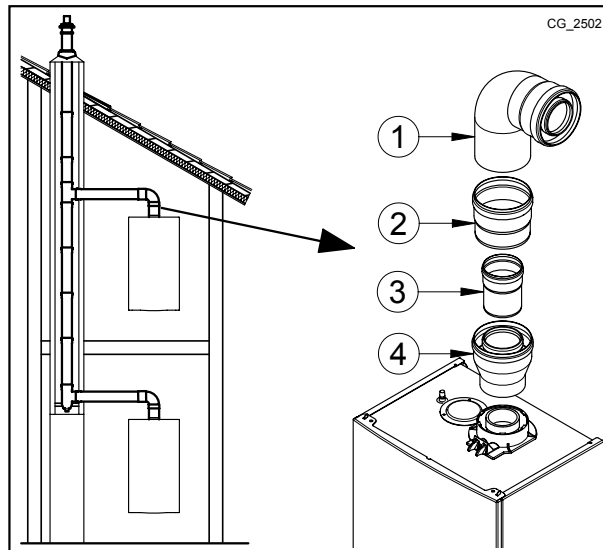
I This type of installation is only possible with natural gas boilers (G20)

In order to connect the boiler to a C43P collective flue pipe, the non-return valve is required. The sizing of the flue pipe is defined by the conduit supplier in accordance with EN 13384-2.

1	90° elbow Ø 80/125 mm
2	Conduit Ø 80/125 mm
3	Non-return valve Ø 80 mm
4	Adaptor Ø 60/100 -> 80/125 mm

For this type of installation, it is necessary to modify the P71 and P72 parameters in the electronic card as shown in the table (also see the SERVICE instructions). After changing the parameters, the boiler must be calibrated as described in the SERVICE manual.

Model	P72	P71
	Qmin - Pressure at the chimney 25 Pa	Qmax - Pressure at the chimney 86 Pa
MPX 24 - MPX 20/24 MI	85	130
MPX 24/28 MI	85	185
MPX 28/33 MI	85	180

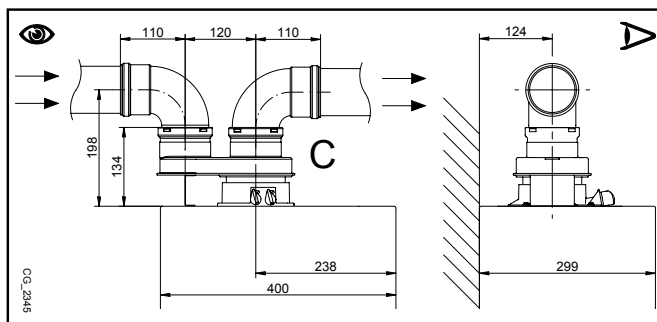


10.2 SEPARATE DUCTS

For special installations of the fumes inlet/outlet ducts, the single splitting kit (C), supplied as an accessory, can be used. This accessory, in fact, can be used to move the inlet and outlet in any direction. This type of installation makes it possible to discharge exhaust fumes both outside the building and into single flue ducts. Comburent air can be drawn in at a different location from that of the flue terminal. The splitting kit is fixed to the boiler turret (100/60 mm) and allows the comburent air and outlet fumes to enter/leave the two separate ducts (80 mm). For further information, read the assembly instructions supplied with the accessory.

The 90° bend is used to connect the boiler to the inlet and outlet ducts, adapting them to various requirements. It can also be used as a supplementary curve combined with a duct or a 45° bend.

- A 90° bend reduces the total duct length by 0.5 metres.
- A 45° bend reduces the total duct length by 0.25 metres.
- The first 90° bend is not included when calculating the maximum available length.



I SOME OUTLET DUCT INSTALLATION EXAMPLES AND THEIR RELATIVE MAXIMUM LENGTHS ARE SHOWN IN ANNEX "SECTION" D AT THE END OF THIS MANUAL.

11. ELECTRICAL CONNECTIONS

This machine is only electrically safe if it is correctly connected to an efficient earth system in compliance with current safety regulations. Connect the boiler to a 230V single-phase earthed power supply using the supplied three-pin cable, observing correct Live-Neutral polarity.

Use a double-pole switch with a contact separation of at least 3 mm.

When replacing the power supply cable, fit a harmonised "HAR H05 VV-F" 3x0.75 mm² cable with a maximum diameter of 8 mm. The 2A fast-blowing fuses are incorporated in the power supply terminal block (to check and/or replace the fuse, pull out the black fuse carrier).

Rotate the control box downwards and access terminal blocks **M1** and **M2**, used for the electrical connections, by removing the safety cover.



Make sure that the overall rated power input of the accessories connected to the appliance is less than 2A. If it is higher, install a relay between the accessories and the electronic board.



Terminal block M1 is at high voltage. Before making connections, make sure the appliance is disconnected from the power supply.

TERMINAL BLOCK M1

(L) = Live (brown)

(N) = Neutral (light blue).

⊕ = Earth (yellow-green).

(1) (2) = contact for Room Thermostat.



Put back the jumper on terminals 1-2 of boiler terminal block M1 if the room thermostat is not used or if the Remote Control, supplied as an accessory, is not installed.

TERMINAL BLOCK M2

Terminals 1 - 2: connection to the Remote Control (low voltage) supplied as an accessory.

Terminals 4 - 5 : external Probe connection (supplied as an accessory)

Terminals 3-6-7-8: not used.

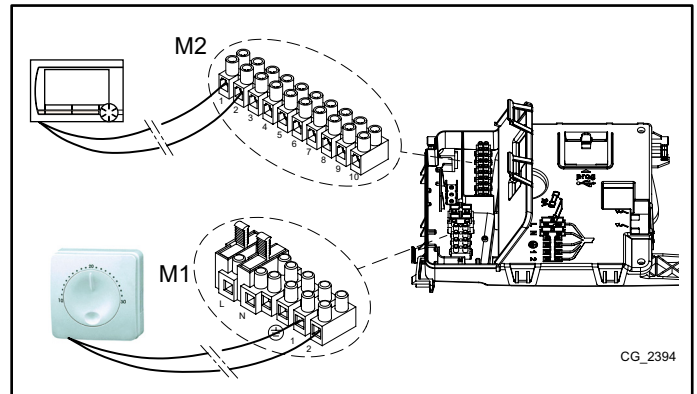
Terminals 9-10: storage boiler sensor connection.



If the appliance is connected to an underfloor system, install a limit thermostat to prevent the latter from overheating.



Use the relative cable grommets at the bottom of the boiler to thread the cables through to the terminal blocks.



11.1 CONNECTING THE ROOM THERMOSTAT



The connections in terminal block M1 are high voltage (230 V). Before making connections, make sure the appliance is disconnected from the power supply. Respect polarity L (LIVE) - N (NEUTRAL).

To connect the Room Thermostat to the boiler, proceed as described below:

- switch off the boiler;
- access the terminal block **M1**;
- remove the jumper from the ends of contacts 1-2 and connect the wires of the Room Thermostat;
- switch on the boiler and make sure the Room Thermostat works correctly.

11.2 ACCESSORIES NOT INCLUDED IN THE SUPPLY

11.2.1 EXTERNAL SENSOR

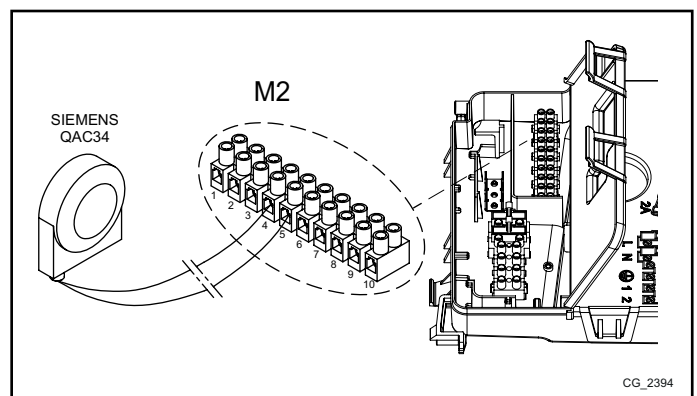
To connect this accessory, see figure to side (terminals 4-5) and the instructions supplied with the sensor.

SETTING THE "Kt" CLIMATE CURVE

When the external sensor is connected to the boiler, the electronic board adjusts the flow temperature calculated according to the set **Kt** coefficient. Select the required curve by pressing as indicated in the chart in annex **SECTION E** for selecting the most appropriate one (00 to 90).

KEY TO CHART - "SECTION" E

	Flow temp		Outside temp
--	-----------	--	--------------



INSTALLER Section (en)

11.2.2 EXTERNAL STORAGE BOILER

The boiler can be electrically connected to an external storage boiler. A diagram of the hydraulic connection of the external storage boiler is shown in annex "SECTION" F. Connect the DHW priority sensor NTC to terminals **9-10** on terminal block **M2**. The sensitive element of the NTC sensor must be inserted in the special well located on the storage boiler. Make sure that the exchange capacity of the storage boiler coil is appropriate for the power of the boiler. Adjust DHW temperature (+35°C...+60°C) by pressing .

IMPORTANT: set parameter P03 = 05 as described in section 14.

12. SPECIAL FUNCTIONS

12.1 INITIAL IGNITION

When lighting the boiler for the first time perform the following procedure. After electrically powering the boiler the code "000" appears on the display. This means the appliance is ready for the "initial lighting" procedure.

- Press together and hold down for 6 seconds. "On" appears on the display for 2 seconds followed by code "312" indicating that the "system venting" function is active. This function lasts 10 minutes.
- Afterwards, the boiler switches on, the display shows the code "000" alternating with the % of ignition power and the temperature value (°C). During this "gas recognition function" phase, that lasts approximately 7 minutes, the type of gas used is analysed. During this function, assure maximum heat exchange to the heating or DHW system (domestic hot water demand) in order to prevent the boiler from switching off due to overheating.
- If the boiler runs on natural gas, the display shows **NG** for approximately 10 seconds. The boiler is now ready for normal operation. If the display shows **LPG**, press and together and hold down for at least 4 seconds to exit without changing the factory setting.
- If the boiler runs on propane the display shows **LPG**. Press for at least 6 seconds to confirm the gas effectively used. If the display shows **NG** and does not recognise the type of gas used, press and together and hold down for at least 4 seconds to exit the function and then change parameter **P02=01** as described in the "PARAMETER SETTINGS" section of the boiler instructions manual.

If the venting or gas recognition function is interrupted by a power blackout, start the function again when power is restored by pressing and together and holding them down for at least 6 seconds. If the display shows fault E118 (low pressure in hydraulic circuit) during the venting function, open the filling tap on the appliance and restore the correct pressure. If the gas recognition function is interrupted due to a fault (e.g.: E133 no gas) press to reset and then press and (for at least 6 seconds) to restart the function again. If the gas recognition function is interrupted due to overheating, restart the function by pressing and and holding them down for at least 6 seconds.

The combustion of this appliance has been factory controlled, calibrated and set for operation with NATURAL GAS.

During the Gas Type Control Function, the combustion ratio will increase for a short period of time while the gas type is being established.

During initial ignition, the burner may not ignite (causing the boiler to shut down) until any air in the gas pipes is vented. In this case, repeat the ignition procedure until gas reaches the burner. To reset boiler operation, press for at least 2 seconds.

For the first few ignitions immediately after installation the system must implement a self-learning procedure to reach the correct ignition level.

12.2 SYSTEM GAS EXTRACTION FUNCTION

This function is used to facilitate the elimination of the air inside the heating circuit when the boiler is first installed or after maintenance when the water is drained from the primary circuit.

To enable the system gas extraction function press buttons together for 6 seconds. When the function is active, **On** appears on the display for a few seconds, followed by programme row **312**.

The electronic board will activate a pump on/off cycle lasting 10 minutes. The function will automatically stop at the end of the cycle. To manually exit this function, press the above buttons together for 6 seconds once again.

12.3 CHIMNEY SWEEPER

This function enables the boiler to generate **maximum heating power**. After activation, the boiler power % can be adjusted from minimum to maximum in the DHW mode. The following procedure is used.

- Press buttons and together for at least 6 seconds. When the function is enabled, the displays shows "On" for a few seconds followed by programme row "303" alternated with the % of boiler power.
- Press to gradually adjust power (sensitivity 1%).
- To exit press both buttons together for at least 6 seconds, as described in point one.

Press to display the instantaneous flow temperature for 15 seconds.

12.4 COMBUSTION TEST (CO₂)

For correct boiler operation, the content of (CO₂- O₂) in the combustion fumes must observe the tolerances indicated in the following table. If the value of (CO₂- O₂) is different, check the electrodes and their relative distances. If necessary, replace the electrodes and position them correctly. If the problem persists, use the following function.

		G20		G31	
		CO ₂ %	O ₂ %	CO ₂ %	O ₂ %
Maximum power	Nominal value	8.7	5.4	10.0	6.0
	Permitted value	8.2 - 9.3	6.3 - 4.3	9.5 - 10.5	6.8 - 5.2
Ignition power	Nominal value	8.7	5.4	10.8	4.8
	Permitted value	8.2 - 9.3	6.3 - 4.3	10.3 - 11.3	5.5 - 4.1
Minimum power	Nominal value	8.8	5.2	10.0	6.0
	Permitted value	8.2 - 9.3	6.3 - 4.3	9.5 - 10.5	6.8 - 5.2



The combustions analisys shall be done using an analyzer regularly calibrated.



During normal operation the boiler performs combustion control cycles. In this phase, CO values higher than 1000 ppm can occur for brief periods of time.

COMBUSTION ADJUSTMENT FUNCTION (CO₂%)

This function sets out to partially adjust the value of CO₂%. The following procedure is used.

- Press buttons and together for at least 6 seconds. When the function is enabled, the displays shows "On" for a few seconds followed by programme row "304" alternated with the % of boiler power.
- After the burner is lit, the boiler reverts to maximum DHW power (100). When the display shows "100" it is possible to partially adjust the value of CO₂ %;
- press . The display shows "00" alternating with the function number "304" (Δ flashes);
- press to raise or lower the amount of CO₂ (from -3 to +3).
- press to save the new value and view the power value "100" on the display again (the boiler continues operating at maximum DHW power).

This procedure can also be used to adjust the quantity of CO₂ to the **ignition power** and to the **minimum power** by pressing after point 5 of the procedure described above.

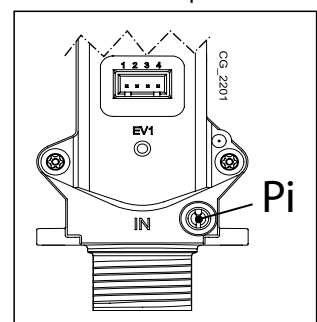
- After saving the new value (point 5 of the procedure), press to take the boiler to its **ignition power**. Wait for the value of CO₂ to stabilise and then adjust as described in point 4 of the procedure (the power value is a number <> 100 and <> 0) then save (point 5).
- press again to take the boiler to **minimum power**. Wait for the value of CO₂ to stabilise and then adjust as described in point 4 of the procedure (power value = 00);
- to exit the function, press the buttons for at least 6 seconds as described in point 1.

13. GAS VALVE

This appliance does not require any mechanical adjustment on the valve. The system ensures electronic auto-adaptation.

Gas valve key

Pi
Gas supply inlet pressure tap



13.1 GAS CONVERSION METHODS

Only an Authorised Technical Assistance Service can convert boiler operation from **NATURAL GAS** to **LPG** or vice-versa. To perform calibration, set parameter **P02** as described in the PARAMETER SETTINGS section. Lastly, check the combustion parameters as described in the SPECIAL FUNCTIONS - CHECKING COMBUSTION PARAMETERS section.



When the gas change is completed the boiler data plate must be amended to indicate the new gas data.

INSTALLER Section (en)

14. PARAMETERS SETTING

To programme the parameters of the boiler electronic board, proceed as follows:

- Press and together and hold them down for 6 seconds until programme row "P01" appears on the display alternated with the set value;
- Press to scroll the list of parameters;
- Press the value of the selected begins flashing, press to change the value;
- Press to confirm the value or press to exit without saving.



Further information concerning the parameters listed in the following table are supplied together with the required accessories.



If the appliance is connected to an underfloor system, set the parameter P16 (Boiler) or P15 (Remote control) = 01.

Boiler	Remote control*	DESCRIPTION OF PARAMETERS	FACTORY SETTINGS			
			24	20/24 MI	24/28 MI	28/33 MI
P01	P00	Manufacturer information	01			
P02	P01	Gas used 00 = METHANE - 01 = LPG	00			
P03	P02	Hydraulic system 00 = instantaneous appliance 03 = instantaneous appliance with pre-heating function 05 = appliance with external storage boiler 08 = heating only appliance	08	00	00	00
P04	P03	Programmable relay 1 settings (See SERVICE instructions)	02			
P05	P04	Programmable relay 2 settings (See SERVICE instructions)	04			
P06	P05	External probe input configuration (See SERVICE Instructions)	00			
P07..P09	P06..P08	Manufacturer information	--			
P10	P09	Heating setpoint setting OT / RT (Remote Control - Open Therm / Room Thermostat 230V~) 00 = the temperature request is the Remote Control setpoint 01 = the temperature Request is the highest setpoint between Remote Control and PCB 02 = the temperature request is the Remote Control setpoint. The Room Thermostat enable the gas boiler operates	00			
P11..P12	P10..P11	Manufacturer information	--			
P13	P12	Max. heating output (0-100%)	100	80	86	80
P14	P13	Max DHW output (0-100%)	100			
P15	P14	Min. heating output (0-100%)	00			
P16	P15	Maximum CH setpoint (°C) 00 = 85°C - 01 = 45°C	00			
P17	P16	Pump overrun time in heating mode (01-240 minutes)	03			
P18	P17	Delay prior to new ignition in CH mode (00-10 minutes) - 00=10 seconds	03			
P19	P18	Manufacturer information	07			
P20	P19	Pump overrun time in DHW mode (seconds)	30			
P21	P20	Anti-legionellosis function (°C) 00...54 = Disabled - 55...67 = Enabled (set the desired temperature value)	00			
P22	P21**	Manufacturer information	00			
P23	P22	Maximum DHW setpoint temperature (ACS)	60			
P24	P23	Manufacturer information	35			
P25	P24	No water safety device	00			
P26..P31	P25..P30	Manufacturer information	--			
P32..P41	P31..P40	Diagnostics (See SERVICE Instructions)	--			
P67	P66	Open Therm (OT) settings (See SERVICE Instructions) 02 = Open Therm Standard	02			

* The modulating remote control must version 2.8 or higher

** Access to the installer settings using the modulating remote control is not possible

14.1 ADJUSTING MAXIMUM HEATING POWER

The maximum heating power of the boiler can be reduced to suit the requirements of the heating system it serves. A table showing parameter **P13** values according to the desired maximum power model is shown below for each single boiler

To access and edit parameter **P13** values, proceed as described in the PARAMETER SETTINGS section.

Boiler model - PARAMETER P13 (%) / Heating output (kW)

kW	24	20/24 MI	24/28 MI	28/33 MI
3,5	0	0		
4	2	2	0	
5	7	7	4	0
6	12	12	8	4
7	17	17	13	7
8	22	22	17	11
9	27	27	21	14
10	32	32	25	18
12	41	41	33	25
14	51	51	42	32
16	61	61	50	39
18	71	71	58	46
20	80	80	67	54
22	90		75	61
24	100		86	68
26				75
28				80

15. TROUBLESHOOTING SERVICE FAULTS

The faults shown on the display are identified with the symbol **E** and a number (fault code). For a complete list of faults, see the following table.

If **R** appears on the display the fault must be RESET by the user.

To RESET the boiler, press and hold down **(R)** for 2 seconds. If faults are displayed frequently, call the Authorised Service Centre.

E	Description of fault	Service action
09	Gas valve connection error	Check the connections between the gas valve and the electronic board.
10	External probe sensor faulty	Check the sensor (*).
12	Hydraulic differential pressure switch switching failure	Check correct operation of the pressure switch and the wiring.
13	Hydraulic differential pressure switch contacts stuck	See the actions indicated in E12
15	Gas valve control error	Check the connections between the gas valve and the electronic board. If necessary, replace the electronic board.
18	Hydraulic circuit automatic filling in progress	Wait for the end of the filling cycle.
19	Fault in system filling phase	Check the filling tap.
20	NTC flow sensor faulty	Check the sensor (**). Check the continuity of the probe wiring. Make sure the wiring has not shorted.
28	NTC fumes sensor faulty	Check the fumes NTC probe (***) Check the continuity of the probe wiring. Make sure the wiring has not shorted.
40	NTC return sensor faulty	See the actions indicated in E20
50	NTC domestic hot water sensor faulty (only for heating-only model with storage boiler)	See the actions indicated in E20
53	Fumes outlet obstructed	Check that the drainage pipe is free from obstructions. Switch off the electric power supply to the boiler for a few seconds.
55	Electronic board not calibrated	Activate the automatic calibration function described in the spare parts instructions sheet.
83...87	Communication problem between boiler board and control unit. Probable short circuit on wiring.	Check the wiring between the Ambient Unit and the electronic board or RF link.

92	Fumes fault during calibration (probable fumes recirculation)	Check for any recirculation of fumes. Activate the automatic calibration function described in the paragraph YEARLY MAINTENANCE – REPLACING COMPONENTS.	
109	Air in boiler circuit (temporary fault)	Check pump operation. Check the pump power input wiring.	
110	Safety thermostat tripped due to overtemperature (pump probably blocked or air in heating circuit).	Check pump operation. Check the pump power input wiring Check that the limit thermostat is undamaged and replace it if necessary Check the continuity of the limit thermostat wiring	
117	Pressure in hydraulic circuit too high (> 2.7 bar)	Check that the pressure in the system is correct See the FILLING THE SYSTEM section.	
118	Pressure in hydraulic circuit too low	If the pressure in the CH circuit is < 0.5 bar, perform filling (see the FILLING THE SYSTEM section). Check the hydraulic pressure switch works correctly	
125	No circulation safety trip. (control performed via a temperature sensor)	See the actions indicated in E109	
128	No flame	Check the flame sensing electrode is in good condition and correctly positioned (see the ANNUAL SERVICING - POSITIONING THE ELECTRODES section). Check the wire is uninterrupted and makes good contact with the flame sensing electrode and the ignition switch. See the actions indicated in E92	
129	Loss of flame at ignition	Check the flame sensing electrode is in good condition and correctly positioned (see the ANNUAL SERVICING - POSITIONING THE ELECTRODES section). Check the wire is uninterrupted and makes good contact with the flame sensing electrode and the ignition switch. Check for any recirculation of fumes.	
130	Fumes NTC tripped due to overtemperature	Check the heat exchange level of the water-fumes exchanger: possible insufficient circulation or presence of scale. Check the fumes NTC probe (***).	
133	Ignition failure (5 attempts)	Check that the gas valve is open and there is no air in the gas supply circuit. Check the gas supply pressure. Check the wire is uninterrupted and makes good contact with the flame sensing electrode and the ignition switch. See the actions indicated in E92 Check correct operation of the condensate drainage.	
134	Gas valve blocked	Check the gas supply pressure. Check the integrity and position of the sensing and ignition electrodes and their wiring (see the ANNUAL SERVICING - POSITIONING THE ELECTRODES section). If necessary, replace the electronic board.	
135	Internal board error	Replace the electronic board.	
154	Delivery/return probe control test	See the actions indicated in E109	
160	Fan fault	Check correct operation of the fan. Check that the fan power supply wiring is connected to the electronic board.	
178	Intervention of safety thermostat for excess temperature in low temperature system	Check correct operation of the pump and the water circulation in the low temperature system. Check the pump power input wiring.	
317	162	Incorrect power supply frequency	Check whether the incorrect electric power supply frequency is due to causes outside the boiler, in which case contact the power supply company.
321	163	NTC domestic hot water sensor faulty	See the actions indicated in E20
384	164	Parasite flame (internal error)	Check correct operation of the gas valve.
385	165	Input voltage too low	Input voltage V<175V. Check whether the power supply reductions are due to reasons other than the boiler. If so, contact the electricity provider.

CH = central heating.

(*) External Sensor: cold resistance value: approximately 1 kΩ @ 25° C (resistance decreases as temperature rises).

(**) NTC delivery, return and DHW sensor: cold resistance value: approximately 10 kΩ @ 25° C (resistance decreases as temperature rises).

(***) NTC fumes probe: cold resistance value: approximately 20 kΩ @ 25° C (resistance decreases as temperature rises).



In the event of a fault, the display backlighting indicates the error code. 5 reset attempts can be performed after which the boiler shuts down. Wait 15 minutes before attempting to reset the boiler again.

16. ADJUSTMENT AND SAFETY DEVICES

The boiler has been designed in full compliance with European reference standards and in particular is equipped with the following:

- **Limit thermostat**

Thanks to a sensor placed on the CH flow line, this thermostat interrupts the flow of gas to the burner if the water in the primary circuit overheats.



It is forbidden to disable this safety device

- **NTC fumes sensor**

This device is positioned on the fumes-water exchanger. The electronic board stops gas from flowing to the burner in case of over heating.



It is forbidden to disable this safety device

- **Flame ionisation detector**

The flame sensing electrode guarantees safety of operation in case of gas failure or incomplete ignition of the main burner. In these conditions, the boiler blocks.

- **Hydraulic pressure switch**

This device allows the main burner to be ignited only if system pressure is higher than 0.5 bars.

- **Pump post-circulation**

The electronically-controlled pump post-circulation function lasts 3 minutes and is enabled, in the heating mode, if the ambient thermostat causes the main burner to go out.

- **Antifreeze device**

The electronic boiler management system includes an "antifreeze" function for the heating and DHW systems which, when flow temperature falls below 5° C, operates the burner until a flow temperature of 30° C is reached. This function is enabled when the boiler is switched on, the gas supply is open and the system is correctly pressurised.

- **Anti-block pump function**

If no heat demand is received in the heating and/or DHW modes for 24 consecutive hours, the pump will automatically start and operate for 10 seconds.

- **Three-way valve anti-blockage function**

If no heat demand is received for a period of 24 hours, the three-way valve performs a complete switching cycle.

- **Hydraulic safety valve (heating circuit)**

This device is set to 3 bar and is used for the heating circuit. Connect the safety valve to a drain trap. Do not use it to drain the heating circuit.

- **Heating pump pre-circulation**

In case of a heat demand in the heating mode, the appliance can pre-circulate the pump before the burner is ignited. This pre-circulation phase last from a few seconds to a few minutes, depending on the operating temperature and installation conditions.

17. PUMP CAPACITY/ HEAD

This is a high static head pump fit for installation on any type of single or double-pipe heating systems. The automatic air valve incorporated in the pump allows quick venting of the heating system.

KEY TO PUMP CHARTS - "SECTION" E

Q	WATER FLOW RATE	MIN	Minimum speed of modulation
H	HEAD	MAX	Maximum speed of modulation

18. ANNUAL SERVICING



If the boiler was operating, wait for the combustion chamber and pipes to cool down.



Before commencing any maintenance operations, make sure the boiler is disconnected from the power supply. After servicing, reset the original operating parameters of the boiler if they were changed.



Do not clean the boiler with abrasive, aggressive and/or easily flammable substances (such as petrol, acetone, etc.).

To optimise boiler efficiency, carry out the following annual controls:

- Check the appearance and airtightness of the gaskets of the gas and combustion circuits. Replace any worn seals with new original spares;
- Check the state and correct position of the ignition and flame-sensing electrodes;
- Check the state of the burner and make sure it is firmly fixed;
- Check for any impurities inside the combustion chamber. Use a vacuum cleaner to do this;
- Check the pressure of the heating system;
- Check the pressure of the expansion vessel;
- Check the fan works correctly;
- Make sure the flue and air ducts are unobstructed;
- Check for any impurities inside the siphon (for condensation boilers);
- Check the magnesium anode, where present, for boilers fitted with storage boilers.



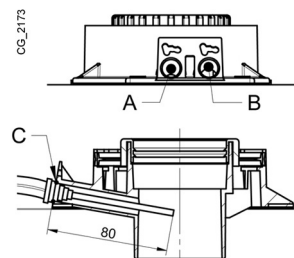
It is advisable not to use the service cap at the base to empty and clean the siphon. Remove the siphon from inside the boiler and clean it with a jet of water. Fill the siphon with clean water and put back in place, making sure that it is properly connected.

18.1 COMBUSTION PARAMETERS

To measure combustion efficiency and the toxicity of the products of combustion, the boiler is fitted with two dedicated test points. One connection point is connected to the flue gas discharge circuit (**A**), and allows monitoring of the quality of the combustion products and the combustion efficiency. The other is connected to the combustion air intake circuit (**B**), allowing checking of any recycling of the combustion products in case of coaxial pipelines. The following parameters can be measured at the connection point on the flue gas circuit:

- temperature of the combustion products;
- oxygen (O_2) or carbon dioxide (CO_2) concentration;
- carbon monoxide (CO) concentration.

The temperature of the comburent air must be measured on the test point located on the air intake flue (**B**) by inserting the measurement sensor by about 8 cm (**C**).



To enable the "CHIMNEY SWEEPER" consult section 12.3.

18.2 HYDRAULIC UNIT

For special areas, where the water is harder than 20 °F (1 °F = 10 mg calcium carbonate per litre of water), install a polyphosphate dispenser or an equivalent treatment system, compliant with current regulations.

LEGEND - "SECTION" F

A	DHW exchanger fixing screw
B	DHW priority sensor with filter
C	Boiler/system drain tap (C-1 & C-2 : access to tap C - bottom of boiler)
D	Boiler / system filling tap
E	DHW temperature NTC probe
F	Heating circuit water pressure sensor

18.2.1 CLEANING THE COLD WATER FILTER

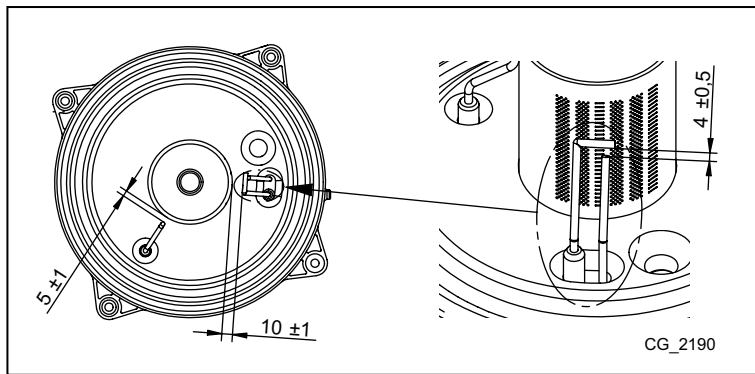
The boiler is fitted with a cold water filter located on the hydraulic assembly (**B**). To clean, proceed as follows:

- Drain the domestic hot water system.
- Remove the nut on the DHW priority sensor unit
- Pull out the flow sensor and its filter.
- Remove any impurities.



When replacing and/or cleaning the O-rings on the hydraulic assembly, only use Molykote 111 as a lubricant, not oil or grease.

18.3 POSITIONING THE ELECTRODES



18.4 REPLACEMENT OF PARTS

If one or more of the following components are replaced:




- Water-fumes exchanger
- Fan
- Gas valve
- Gas nozzle
- Burner
- Flame sensing electrode

perform the Automatic Calibration procedure described below, then check and adjust the CO₂% value as indicated in the section "COMBUSTION ADJUSTMENT FUNCTION (CO₂%)".



When working on the appliance, check the condition and position of the flame sensing electrode and replace it if necessary.



AUTOMATIC CALIBRATION FUNCTION

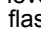
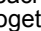
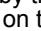
Press  and  together and hold down for at least 6 seconds. When the display indicates "On" press  (within 3 seconds after pressing the previous buttons).




If the display indicates "303" the Automatic Calibration function has not been activated. Disconnect the boiler from the mains power supply for a few seconds and repeat the procedure.

When the function is enabled,  and  flash on the display

After the ignition sequence, which can also take place after a few attempts, the boiler performs three operations (each lasting approximately 1 minute) going first to maximum power, then to ignition power and lastly to minimum power. Before moving on to the following phase (from maximum power to ignition power and then to minimum power),  and  appear on the display. During this phase, the power level reached by the boiler and the delivery temperature alternate on the display.

When ,  and  flash together on the display, the calibration function has terminated.

Press  to leave the function. The display shows **ESC**.

19. DISMANTLING, DISPOSAL AND RECYCLING



Only qualified technicians are authorised to service the device and system.

Before dismantling the appliance, be sure to disconnect the power supply, close the gas inlet shutoff valve and secure all of the boiler and system connections.

Dispose of the appliance correctly according to the laws and regulations in place. The appliance and accessories cannot be discarded along with normal household waste.

More than 90% of the materials that make up the appliance are recyclable.

20. TECHNICAL SPECIFICATIONS

Model: MPX		24 COMPACT	20/24 MI COMPACT	24/28 MI COMPACT	28/33 MI COMPACT
Cat.		II ₂ H ₃ P			
Gas used	-	G20 - G31			
Rated heat input for DHW circuit.	kW	-	24,7	28,9	34,0
Rated heat input for heating circuit.	kW	24,7	20,6	24,7	28,9
Reduced heat input	kW	3,5	3,5	3,9	4,8
Rated heat output for DHW circuit	kW	-	24,0	28,0	33,0
Rated heat power 80/60°C	kW	24,0	20,0	24,0	28,0
Rated heat power 50/30 °C	kW	26,1	21,8	26,1	30,6
Reduced heat output 80/60 °C	kW	3,4	3,4	3,8	4,7
Reduced heat output 50/30 °C	kW	3,7	3,7	4,1	5,1
Rated efficiency 50/30 °C	%	105,7	105,8	105,8	105,8
Efficiency 30% Pn	%	108,8	108,8	108,8	108,9
Max. pressure of water in heating circuit	bar	3			
Min. pressure of water in heating circuit	bar	0,5			
Capacity of water in expansion vessel	l	7			
Minimum pressure of expansion vessel	bar	0,8			
Max. pressure of water in DHW circuit	bar	-	8,0	8,0	8,0
Min. dynamic pressure in DHW circuit	bar	-	0,15	0,15	0,15
Minimum flow of water in DHW circuit	l/min	-	2,0	2,0	2,0
Production of DHW with ΔT = 25 °C	l/min	-	13,8	16,1	18,9
Production of DHW with ΔT = 35 °C	l/min	-	9,8	11,5	13,5
Specific flow "D" (EN 13203-1)	l/min	-	11,5	13,4	15,8
Temperature range in heating circuit	°C	25+80			
Temperature range in DHW circuit	°C	35+60			
Fumes typology	-	C13(x) - C33(x) - C43(x) - C43P - C53(x) C63(x) - C83(x) - C93(x) - B23 - B23P			
Coaxial flue duct diameter	mm	60/100			
Diameter of separate outlets	mm	80/80			
Max. mass flow rate of fumes	kg/s	0,0012	0,012	0,014	0,016
Min. mass flow rate of fumes	kg/s	0,002	0,002	0,002	0,002
Max. temperature of fumes	°C	80			
NOx Class	-	6			
Natural gas supply pressure 2H	mbar	20			
Propane gas supply pressure 3P	mbar	37			
Power supply voltage	V	230			
Power supply frequency	Hz	50			
Rated power supply	W	85	85	99	106
Net weight	kg	30	34	34	35
Dimensions (height/ width/ depth)	mm	700/400/299			
Protection-limit against humidity (EN 60529)	-	IPX5D			
EC certificate n° 0085CL0214					

CONSUMPTION AT HEAT INPUT Q_{max} and Q_{min}

Q _{max} (G20) - 2H	m ³ /h	2,61	2,61	3,06	3,60
Q _{min} (G20) - 2H	m ³ /h	0,37	0,37	0,41	0,51
Q _{max} (G31) - 3P	kg/h	1,92	1,92	2,25	2,64
Q _{min} (G31) - 3P	kg/h	0,27	0,27	0,30	0,37

21. TECHNICAL PARAMETERS


DE DIETRICH MPX			24 COMPACT	20/24 MI COMPACT	24/28 MI COMPACT	28/33 MI COMPACT
Condensing boiler			Yes	Yes	Yes	Yes
Low-temperature boiler ⁽¹⁾			No	No	No	No
B1 boiler			No	No	No	No
Cogeneration space heater			No	No	No	No
Combination heater			No	Yes	Yes	Yes
Rated heat output	<i>P_{rated}</i>	kW	24	20	24	28
Useful heat output at rated heat output and high temperature regime ⁽²⁾	<i>P₄</i>	kW	24.0	20.0	24.0	28.0
Useful heat output at 30% of rated heat output and low temperature regime ⁽¹⁾	<i>P₁</i>	kW	8.0	6.7	8.0	9.4
Seasonal space heating energy efficiency	<i>η_s</i>	%	93	93	93	93
Useful efficiency at rated heat output and high temperature regime ⁽²⁾	<i>η₄</i>	%	87.9	88.0	87.9	88.1
Useful efficiency at 30% of rated heat output and low temperature regime ⁽¹⁾	<i>η₁</i>	%	98.0	98.0	98.0	98.1
Auxiliary electricity consumption						
Full load	<i>el_{max}</i>	kW	0.042	0.030	0.042	0.041
Part load	<i>el_{min}</i>	kW	0.013	0.013	0.013	0.013
Standby mode	<i>P_{SB}</i>	kW	0.003	0.003	0.003	0.003
Other items						
Standby heat loss	<i>P_{stby}</i>	kW	0.035	0.035	0.035	0.040
Ignition burner power consumption	<i>P_{ign}</i>	kW	0.000	0.000	0.000	0.000
Annual energy consumption	<i>Q_{HE}</i>	GJ	74	62	74	87
Sound power level, indoors	<i>L_{WA}</i>	dB	52	49	48	53
Emissions of nitrogen oxides	NO _x	mg/kWh	16	15	17	15
Domestic hot water parameters						
Declared load profile				XL	XL	XXL
Daily electricity consumption	<i>Q_{elec}</i>	kWh		0.162	0.232	0.214
Annual electricity consumption	<i>AEC</i>	kWh		36	51	47
Water heating energy efficiency	<i>η_{wh}</i>	%		88	86	87
Daily fuel consumption	<i>Q_{fuel}</i>	kWh		21.780	22.470	27.820
Annual fuel consumption	<i>AFC</i>	GJ		17	17	22
(1) Low temperature means for condensing boilers 30°C, for low temperature boilers 37°C and for other heaters 50°C return temperature (at heater inlet).						
(2) High temperature regime means 60°C return temperature at heater inlet and 80°C feed temperature at heater outlet.						

22.PRODUCT FICHE

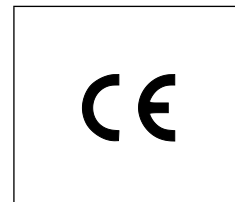
DE DIETRICH MPX		24 COMPACT	20/24 MI COMPACT	24/28 MI COMPACT	28/33 MI COMPACT
Space heating - Temperature application		Medium	Medium	Medium	Medium
Water heating - Declared load profile			XL	XL	XL
Seasonal space heating energy efficiency class		A	A	A	A
Water heating energy efficiency class			A	A	A
Rated heat output (<i>Prated or Psup</i>)	kW	24	20	24	28
Space heating - Annual energy consumption	GJ	74	62	74	87
Water heating - Annual energy consumption	kWh ⁽¹⁾		36	51	47
	GJ ⁽²⁾		17	17	22
Seasonal space heating energy efficiency	%	93	93	93	93
Water heating energy efficiency	%		88	86	87
Sound power level L _{WA} indoors	dB	52	49	48	53
(1) Electricity (2) Fuel					

INSTALLER Section (en)

Szanowny Kliencie,
 nasza firma dokłada wszelkich starań, aby nowy produkt sprostał wszystkim Państwa wymaganiom. Zakup naszego produktu gwarantuje Państwu zaspokojenie oczekiwań: niezawodne działanie, funkcjonalność i łatwość w użyciu.
 Prosimy, żeby nie odkładać na bok niniejszej instrukcji obsługi bez uprzedniego zapoznania się z nią; zawiera ona użyteczne informacje dla prawidłowego i sprawnego zarządzania zakupionym produktem.

Nasza firma oświadcza, że niniejsze produkty są oznaczone znakiem  zgodnie z podstawowymi wymaganiami następujących Dyrektyw:

- Dyrektywa Gazowa **2009/142/WE** (do 20 Kwiecień 2018)
- Rozporządzenie Gazowa (UE) **2016/426** (od 21 Kwiecień 2018)
- Dyrektywa o Wydajności **92/42/EWG**
- Dyrektywa o Zgodności Elektromagnetycznej **2014/30/WE**
- Dyrektywa Niskonapięciowa **2014/35/WE**
- Dyrektywa odnośnie projektów eko-kompatybilnych **2009/125/WE**
- Rozporządzenie (UE) Nr. **2017/1369** (dla kotłów z P<70kW)
- Rozporządzenie w odniesieniu do ekoprojektu (UE) Nr. **813/2013**
- Rozporządzenie o etykietach energetycznych (UE) Nr. **811/2013** (dla kotłów z P<70kW)



Nasza firma, mając na uwadze stałe podnoszenie jakości swoich produktów, zastrzega sobie prawo do modyfikowania danych zawartych w niniejszym dokumencie w dowolnym momencie i bez uprzedzenia. Niniejsza dokumentacja ma charakter informacyjny i w żadnym wypadku nie może być uznana za umowę z osobami trzecimi.

Urządzenie może być obsługiwane przez dzieci w wieku powyżej 8 lat oraz przez osoby z ograniczonymi zdolnościami fizycznymi, sensorycznymi, umysłowymi, bez doświadczenia lub wymaganej wiedzy, pod warunkiem nadzoru lub po uzyskaniu odpowiednich instrukcji odnośnie bezpiecznej obsługi urządzenia i zrozumienia zagrożeń z nią związanych. Dzieci nie mogą bawić się urządzeniem. Przegląd okresowy i czynności z nim związane mogą być wykonywane wyłącznie przez przeszkolone i autoryzowane firmy instalacyjne bądź serwisowe.

SPIS TREŚCI

OPIS SYMBOLI.....	24
INSTRUKCJE DOTYCZĄCE BEZPIECZEŃSTWA.....	24
OGÓLNE ŚRODKI OSTROŻNOŚCI.....	25
WSKAZÓWKI DOTYCZĄCE ODZCZĘDZANIA ENERGII.....	25
1. URUCHOMIENIE KOTŁA.....	26
1.1 NASTAWA TEMPERATURY ZASILANIA C.O. I C.W.U.	26
1.2 TRYBY PRACY.....	26
2. WYŁĄCZENIE NA DŁUŻSZY OKRES CZASU. OCHRONA PRZECIWWZAMARZANIOWA.....	27
3. PRZEBROJENIE NA INNY RODZAJ GAZU.....	27
4. USTERKI.....	27
5. MENU INFORMACYJNE KOTŁA.....	28
6. WYŁĄCZENIE KOTŁA.....	28
7. NAPEŁNIANIE INSTALACJI.....	28
8. KONSERWACJE OKRESOWE.....	28
INSTRUKCJE PRZED ZAINSTALOWANIEM.....	29
9. INSTALOWANIE KOTŁA.....	29
9.1 DODATKOWE WYPOSAŻENIE DOSTARCZONE W OPAKOWANIU.....	29
9.2 WYMIARY KOTŁA.....	29
10. INSTALOWANIE PRZEWODÓW SPALINOWYCH.....	30
10.1 PRZEWODY KONCENTRYCZNE.....	30
10.2 PRZEWODY ODDZIELNE.....	31
11. PODŁĄCZENIA ELEKTRYCZNE.....	32
11.1 PODŁĄCZENIE TERMOSTATU POKOJOWEGO.....	32
11.2 WYPOSAŻENIE DODATKOWE NIE OBJĘTE DOSTAWĄ.....	32
12. FUNKCJE SPECJALNE.....	33
12.1 PIERWSZY ZAPŁON.....	33
12.2 FUNKCJA ODPOWIETRZENIA INSTALACJI.....	33
12.3 KOMINIARZ.....	33
12.4 ANALIZA SPALANIA.....	34
FUNKCJA REGULACJI SPALANIA (CO ₂ %).....	34
13. ZAWÓR GAZOWY.....	34
13.1 METODY PRZEBROJENIA NA INNY RODZAJ GAZU.....	34
14. NASTAWY PARAMETRÓW.....	35
14.1 REGULACJA MAKSYMALNEJ MOCY OGRZEWANIA.....	36
15. WYSZUKIWANIE USTEREK.....	36
16. URZĄDZENIA REGULACYJNE I ZABEZPIECZAJĄCE.....	38
17. CHARAKTERYSTYKA NATĘŻENIA PRZEPLYWU/WYSOKOŚCI CIŚNIENIA.....	38
18. KONSERWACJA COROCZNA.....	39
18.1 PARAMETRY SPALANIA.....	39
18.2 ZESPÓŁ WODNY.....	39
18.4 WYMIANA CZĘŚCI.....	40
FUNKCJA AUTOMATYCZNEGO KALIBROWANIA.....	40
19. DEMONTAŻ, LIKWIDACJA I RECYKLING.....	40
20. CHARAKTERYSTYKA TECHNICZNA.....	41
21. DANE TECHNICZNE.....	42
22. KARTA PRODUKTU.....	43

OPIS SYMBOLI



OSTRZEŻENIE

Ryzyko uszkodzenia lub złego funkcjonowania urządzenia. Zwracać szczególną uwagę na ostrzeżenia odnośnie niebezpieczeństwa dotyczące obrażeń osób.



NIEBEZPIECZEŃSTWO POPARZENIA

Począć aż urządzenie ochłodzi się przed przystąpieniem do działania na częściach narażonych na rozgrzanie.



NIEBEZPIECZEŃSTWO WYSOKIEGO NAPIĘCIA

Części elektryczne pod napięciem, niebezpieczeństwo porażenia prądem elektrycznym.



NIEBEZPIECZEŃSTWO POŻARU

Materiał lub gaz potencjalnie łatwopalny.



NIEBEZPIECZEŃSTWO ZAMROŻENIA

Możliwość utworzenia lodu z powodu niskich temperatur.



WAŻNE INFORMACJE

Informacje do przeczytania ze szczególną uwagą ponieważ służą do zapewnienia prawidłowego działania kotła.



OGÓLNY ZAKAZ

Zakaz wykonywania/używania, w sposób wskazany obok symbolu.

INSTRUKCJE DOTYCZĄCE BEZPIECZEŃSTWA

ZAPACH GAZU

- Wyłączyć kocioł.
- Nie włączać żadnego urządzenia elektrycznego (na przykład światła).
- Zgasić ewentualny wolny płomień i otwórz okna.
- Zgłosić się do autoryzowanego serwisu technicznego.

ZAPACH SPALENIZNY

- Wyłączyć kocioł.
- Wywietrzyć pomieszczenie otwierając drzwi i okna.
- Zgłosić się do autoryzowanego serwisu technicznego.

MATERIAŁ ŁATWOPALNY

Nie używać i nie gromadzić materiałów łatwopalnych (rozpuszczalniki, papier, itp) w pobliżu kotła.

KONSERWACJA I CZYSZCZENIE KOTŁA

Wyłączyć zasilanie elektryczne w kotle przed przystąpieniem do wykonywania wszelkich interwencji.



Części opakowania (woreczki plastikowe, polistyrenowe itp.) nie wolno zostawiać w zasięgu dzieci, ponieważ stanowią one źródło zagrożenia.



Urządzenie nie może być używane przez osoby, które mają ograniczone zdolności fizyczne, sensoryczne lub umysłowe oraz przez osoby nie mające doświadczenia ani nie znają urządzenia, chyba, że są one nadzorowane i poinstruowane odnośnie obsługi urządzenia przez osoby odpowiedzialne za ich bezpieczeństwo.

OGÓLNE ŚRODKI OSTROŻNOŚCI

Niniejszy kocioł został zaprojektowany do podgrzewania wody grzewczej do temperatury niższej od temperatury wrzenia pod ciśnieniem atmosferycznym. Kocioł należy podłączyć do instalacji centralnego ogrzewania i c.w.u. odpowiednio do jego sprawności i mocy. Przed zainstalowaniem kotła przez uprawnionego instalatora należy wykonać następujące czynności:

- Upewnić się, że kocioł jest nastawiony do pracy z dostarczanym rodzajem gazu. W tym celu sprawdzić oznaczenia na opakowaniu i tabliczce znamionowej urządzenia.
- Upewnić się, że ciąg kominowy jest odpowiedni, wylot spalin nie jest zatkany i że przez ten sam przewód spalinowy nie są odprowadzane spaliny z innych urządzeń, o ile nie jest on specjalnie zaprojektowany do odprowadzania spalin z więcej niż jednego urządzenia, zgodnie z obowiązującym prawem.
- Upewnić się, że kocioł jest podłączony do istniejących przewodów spalinowych, starannie oczyszczonych z resztek produktów spalania, które w trakcie pracy mogą oderwać się od ścianek i utrudnić przepływ spalin.
- Dla zapewnienia prawidłowej pracy i zachowania gwarancji należy przestrzegać następujących środków ostrożności.

1. Obieg c.w.u.

1.1 Jeżeli twardość wody jest wyższa od 20 °F (1 °F = 10 mg węglanu wapnia na litr wody), zainstalować system uzdatniania, zgodny z aktualnymi przepisami.

1.2 Starannie przepłukać instalację po zainstalowaniu urządzenia i przed użyciem.

1.3 Materiały zastosowane w obiegu c.w.u. muszą być zgodne z dyrektywą 98/83/EC.

2. Obieg grzewczy

Instalację grzewczą napełnić świeżą wodą (wartość pH powinna mieścić się między 7 a 9. Aby zapobiec problemom z kotłem lub instalacją, przestrzegać danych w poniższej tabeli. Jeżeli jeden lub więcej warunków nie mogą być spełnione, zaleca się uzdatnienie wody

2.1 Warunki wstępne: Uzdatniać wodę w instalacji, aby ograniczyć korozję, gromadzenie się kamienia kotłowego, zanieczyszczenia, skażenie mikrobiologiczne. Dla optymalnej pracy kotła, woda w instalacji powinna posiadać następujące parametry.

		Moc ≤ 70 kW	Moc >70 kW lub w instalacji pracującej w stałej temperaturze
Zawartość kwasu (pH)	woda nie uzdatniona	7 - 9	7 - 9
	woda uzdatniona	7 - 8,5	7 - 8,5
Przewodność do 25 °C	µS/cm	≤ 800	≤ 800
Chlorki	mg/l	≤ 150	≤ 150
Inne substancje	mg/l	< 1	< 1
Twardość wody w instalacji przy pojemności wodnej <6 l/kW	°f	1 - 20	1 - 5
	°dH	0,5 - 11,2	0,5 - 2,8
	mmol/l	0,1 - 2	0,1 - 0,5
Twardość wody w instalacji przy pojemności wodnej >6 l/kW	°f	1 - 15	1 - 5
	°dH	0,5 - 8,4	0,5 - 2,8
	mmol/l	0,1 - 1,5	0,1 - 0,5

Twardość wody we Francji to °f, w Niemczech dH. Jeden stopień °f odpowiada mg/l karbidu, Jeden stopień w niemieckich jednostkach odpowiada 1,79°f.

2.2 Ważne ogólne wskazówki odnośnie jakości wody: Kotły grzewcze DE DIETRICH dopuszczone są do pracy z czystą wodą wodociągową o dobrej jakości. Większość systemów grzewczych wykonana jest z różnych materiałów. Z tego względu zaleca się stosowanie wody uzdatnionej aby uniknąć lub ograniczyć problemy (korozja metali, osadzanie się kamienia kotłowego, zmiany chemiczne w nieuzdatnionej wodzie). W obiegach grzewczych możliwie maksymalnie redukować ilość tlenu w wodzie. Maksymalne roczne uzupełnianie wody to 5%. Zaleca się montaż filtrów na powrocie z instalacji c.o oraz dolocie zimnej wody. Pełne wyczyszczenie instalacji musi być wykonane przez autoryzowanego instalatora. Aby z obiegu grzewczego usunąć wszystkie zanieczyszczenia i osady, wymagany jest dostateczny i wyregulowany przepływ wody. Do uzdatniania wody oraz czyszczenia instalacji zaleca się stosowanie środków chemicznych firm SENTINEL, SOTIN oraz REPA. W razie znacznego zanieczyszczenia kotła (złogi kamienia kotłowego), czyszczenie musi być wykonane przez autoryzowanego instalatora odpowiednimi narzędziami.

2.3 Nowe instalacje: Nową instalację oczyścić z wszelkich pozostałości tj (resztek z tworzyw sztucznych, części montażowych, środków smarujących itd). Czyszczenie środkami chemicznymi musi być wykonywane przez autoryzowanego instalatora. Nie zmiękaczać wody do wartości mniejszej niż 0.5 dH (1°f), zbyt miękka woda uszkadza instalację. W połączeniu ze środkami zmiękczającymi muszą być stosowane inhibitory.

2.4 Obieg grzewczy: Przed zainstalowaniem kotła opróżnić instalację i oczyścić ją, aby usunąć szlam i zanieczyszczenia, używając przy tym odpowiednich produktów. Zaleca się następujące środki czyszczące: SENTINEL X300 lub X400 dla obiegów grzewczych. Przy używaniu tych produktów przestrzegać ściśle instrukcji producentów. Należy pamiętać, że obecność obcych ciał w instalacji grzewczej może wpłynąć niekorzystnie na pracę kotła (np. przegrzanie, lub nadmierny hałas wymiennika).



Brak przestrzegania tych zaleceń powoduje unieważnienie gwarancji urządzenia. Przed rozruchem usunąć folię ochronną z kotła. Nie wolno używać do tego celu narzędzi ani materiałów ściernych, ponieważ mogą one uszkodzić polakierowane części.

WSKAZÓWKI DOTYCZĄCE ODZCZĘDZANIA ENERGII

Regulacja w trybie ogrzewania

Nastawić temperaturę zasilania kotła zależnie od rodzaju instalacji. W instalacjach grzejnikowych ustawić maksymalną temperaturę zasilania na ok.60°C, i zwiększyć tę wartość jeżeli żądana temperatura pomieszczenia nie została osiągnięta. Wykorzystać czujnik zewnętrzny i/lub konsolę sterowniczą do automatycznej nastawy temperatury zasilania zależnie od warunków atmosferycznych lub temperatury w pomieszczeniu. Zapewnia to wytwarzanie tylko rzeczywiście wymaganej ilości ciepła. Nastawić temperaturę pokojową bez przegrzewania pomieszczeń. Każdy dodatkowy stopień Celsjusza oznacza większe zużycie energii o ok. 6%. Temperatura w pomieszczeniu zależy również od sposobu jego wykorzystania. Na przykład, sypialnia i rzadko używane pomieszczenia mogą być ogrzewane do niższej temperatury. Użyć programowalny zegar sterujący i nastawić temperaturę pomieszczenia w nocy o ok. 5°C niższą niż w ciągu dnia. Ustawienie jej jeszcze niżej nie przynosi znacznych oszczędności. Tylko w przypadku dłuższej nieobecności, np, w czasie urlopu, wartość zadana temperatury powinna być obniżona. Nie zakrywać grzejników, ponieważ uniemożliwia to prawidłowy obieg powietrza. Nie pozostawiać uchylonych częściowo okien dla wentylacji pomieszczeń, lecz otwierać je całkowicie na krótki okres czasu.

Ciepła woda użytkowa

Duże oszczędności daje nastawa c.w.u. o żądanej temperaturze bez mieszania jej z zimną wodą. Dodatkowe grzanie marnuje energię i sprzyja tworzeniu się dodatkowych osadów kamienia kotłowego.

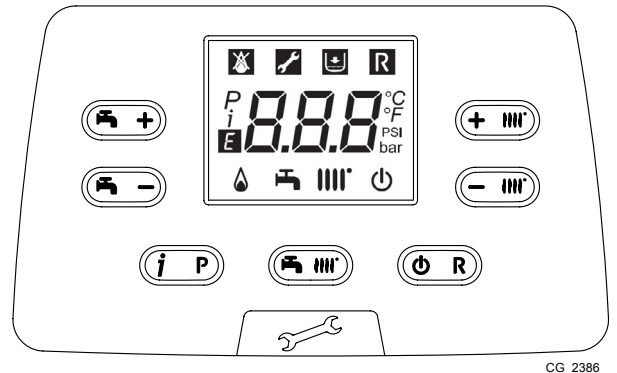
1. URUCHOMIENIE KOTŁA

Dla prawidłowego załączenia kotła postępować następująco:

- Sprawdzić, czy ciśnienie w instalacji jest prawidłowe (rozdz. 7);
- Włączyć zasilanie elektryczne kotła;
- Otworzyć zawór gazowy (żółty, umieszczony pod kotłem);
- Wybrać żądany tryb ogrzewania (rozdz. 1.2).

PRZYCISKI

	Nastawa temperatury c.w.u. (+ aby zwiększyć temperaturę i – aby ją zmniejszyć)
	Nastawa temperatury wody grzewczej (+aby zwiększyć temperaturę i – aby ją zmniejszyć)
	Informacja o pracy kotła
	Tryb pracy: c.w.u. – c.w.u. i c.o. – tylko c.o.
	Wył – Reset – wyjście z menu/funkcji



CG_2386

SYMBOLE

	Wył: ogrzewanie i c.w.u. wyłączone (aktywna tylko ochrona przeciwzamrazaniowa kotła)		Palnik zapalony
	Usterka uniemożliwiająca zapalenie palnika		Tryb c.w.u. dozwolony
	Niskie ciśnienie wody w kotle/instalacji		Tryb c.o. dozwolony
	Wezwanie autoryzowanego serwisu		Menu programowania
	Usterka ręcznie resetowana ()		Menu informacji o kotle
	Usterka trwa	°C, °F, bar, PSI	Jednostki miary (SI/US)

1.1 NASTAWA TEMPERATURY ZASILANIA C.O. I C.W.U.

Nacisnąć odpowiednio i , aby nastawić temperaturę zasilania c.o. i c.w.u. (jeżeli jest podłączony zewnętrzny zasobnik). Gdy palnik jest zapalony, na ekranie wyświetlany jest symbol .

OGRZEWANIE: podczas pracy kotła w trybie ogrzewania na ekranie wyświetlany jest migająco symbol oraz temperatura zasilania (°C).

Gdy podłączony jest czujnik zewnętrzny, pośrednio regulują temperaturę pomieszczenia (nastawa fabryczna 20°C – zob. rozdział 11.2.1).

C.W.U.: Podczas pracy kotła w trybie c.w.u., na ekranie wyświetlany jest migająco symbol oraz temperatura pierwotnego obiegu kotłowego (°C).

1.2 TRYBY PRACY

WYŚWIETLANY SYMBOL	TRYB PRACY
	C.W.U.
	C.W.U. I C.O.
	TYLKO C.O.

Aby umożliwić pracę kotła w trybie **c.w.u. - c.o.** lub **tylko c.o.** nacisnąć kilkakrotnie i wybrać jeden z trzech dostępnych trybów.

Aby wyłączyć tryby pracy kotła zachowując funkcję ochrony przeciwzamrazaniowej, naciskać przez minimum 3 sekundy. Na ekranie pojawi się symbol (jeżeli kocioł jest zablokowany, podświetlenie ekranu miga).

2. WYŁĄCZENIE NA DŁUŻSZY OKRES CZASU. OCHRONA PRZECIWMARZANIOWA

Nie opróżniać całej instalacji, ponieważ ponowne napełnienie wodą powoduje niepotrzebne i szkodliwe osadzanie się kamienia kotłowego wewnątrz kotła i elementach grzejnych. Jeżeli w trakcie zimy kocioł nie jest używany i w związku z tym jest narażony na zamarznięcie, dodać do wody w instalacji środek przeciwmarzaniowy (np. propylenoglikol w połączeniu z inhibitorami korozji i kamienia kotłowego). Sterowanie elektroniczne kotła zawiera funkcję "ochrona przed zamarznięciem" instalacji c.o., która w momencie spadku temperatury zasilania poniżej 5°C, uruchamia palnik, aż do osiągnięcia temperatury 30°C.



Funkcja jest dostępna jeżeli: kocioł jest podłączony do zasilania elektrycznego, dostarczany jest gaz, ciśnienie w instalacji jest normalne i kocioł nie jest zablokowany.

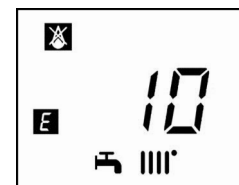
3. PRZEBROJENIE NA INNY RODZAJ GAZU

Kotły mogą pracować zarówno z gazem ziemnym (G20-G27), jak i z LPG (G31). Wszelkie przebrojenia na inny rodzaj gazu muszą być wykonywane przez AUTORYZOWANY SERWIS.

4. USTERKI

Usterki są przedstawiane na ekranie przy pomocy symbolu **E** i numeru (kod usterki). Kompletny wykaz usterek zawiera tabela poniżej.

Jeżeli na ekranie pojawi się symbol **R** usterka może być RESETOWANA przez użytkownika. Dla ZRESETOWANIA kotła naciskać przez 2 sekundy **OR**. Jeżeli usterka jest wyświetlana często, wezwać autoryzowany serwis.



E	Opis usterki	Działanie
09	Błąd podłączenia zaworu gazowego	Wezwać autoryzowany serwis.
10	Usterka czujnika zewnętrznego	Wezwać autoryzowany serwis.
12	Usterka przełączenia presostatu różnicowego wody	Wezwać autoryzowany serwis.
13	Zablokowane zestyki presostatu różnicowego wody	Wezwać autoryzowany serwis.
15	Usterka zaworu gazowego	Wezwać autoryzowany serwis.
18	Automatyczne napełnianie obiegu hydraulicznego w toku	Poczekać do zakończenia cyklu napełniania
19	Usterka w fazie napełniania układu	Nacisnąć i przytrzymać R przez co najmniej 2 sekundy.
20	Usterka czujnika zasilania NTC	Wezwać autoryzowany serwis.
28	Usterka czujnika spalin NTC	Wezwać autoryzowany serwis.
40	Usterka czujnika powrotu NTC	Wezwać autoryzowany serwis.
50	Usterka czujnika c.w.u. NTC (jedynie model tylko do c.o. z podgrzewaczem pojemnościowym)	Wezwać autoryzowany serwis.
53	Zablokowany wylot spalin	Odłączyć kocioł od zasilania elektrycznego na parę sekund. Jeżeli usterka nie ustąpiła, wezwać autoryzowany serwis
55	Nie skalibrowana płyta elektroniczna	Wezwać autoryzowany serwis.
83...87	Problem komunikacji między płytą kotła i sterowaniem. Prawdopodobnie zwarcie w przewodach.	Wezwać autoryzowany serwis.
92	Usterka spalin w trakcie kalibrowania (prawdopodobnie recyrkulacja spalin)	Wezwać autoryzowany serwis.
109	Powietrze w obiegu kotłowym (usterka tymczasowa)	Wezwać autoryzowany serwis.
110	Zadziałał termostat zabezp. z powodu nadmiernej temp. (prawdopod. zablokowana pompa lub zapowietrzony obieg c.o.)	Nacisnąć i przytrzymać R przez co najmniej 2 sekundy.
117	Za wysokie ciśnienie w obiegu hydraulicznym (> 2,7 bar)	Wezwać autoryzowany serwis.
118	Za niskie ciśnienie w obiegu hydraulicznym	Sprawdzić, czy ciśnienie w instalacji jest prawidłowe; Patrz rozdział NAPEŁNIANIE INSTALACJI..
125	Brak wyzwolenia zabezpieczającego cyrkulacji (sterowanie poprzez czujnik temperatury)	Nacisnąć i przytrzymać R przez co najmniej 2 sekundy.
128	Brak płomienia	Nacisnąć i przytrzymać R przez co najmniej 2 sekundy.
129	Utrata płomienia przy zapłonie	Chiamare il centro assistenza tecnica autorizzato
130	Zadziałał czujnik NTC spalin z powodu nadmiernej temp.	Nacisnąć i przytrzymać R przez co najmniej 2 sekundy.
133	Usterka zapłonu (5 prób)	Nacisnąć i przytrzymać R przez co najmniej 2 sekundy.
134	Zablokowany zawór gazowy	Nacisnąć i przytrzymać R przez co najmniej 2 sekundy.
135	Wewnętrzna usterka płyty	Nacisnąć i przytrzymać R przez co najmniej 2 sekundy.

154	Test kontrolny czujnika zasilania/powrotu	Wezwać autoryzowany serwis.	
160	Usterka wentylatora	Wezwać autoryzowany serwis.	
178	Zadziałanie termostatu zabezpieczającego przy nadmiernej temperaturze w instalacji niskotemperaturowej	Wezwać autoryzowany serwis.	
270	Przegrzanie wymiennika	Wezwać autoryzowany serwis.	
317	162	Nieprawidłowa częstotliwość zasilania elektrycznego	Wezwać autoryzowany serwis.
321	163	Usterka czujnika c.w.u. NTC	Wezwać autoryzowany serwis.
384	164	Falszywy płomień (usterka wewnętrzna)	Nacisnąć i przytrzymać R przez co najmniej 2 sekundy.
385	165	Za niskie napięcie wejściowe	Automatyczny reset przy napięciu poniżej 175V. Jeżeli usterka nie ustąpiła, wezwać autoryzowany serwis.
431		Czujnik wymiennika uszkodzony	Wezwać autoryzowany serwis.



W przypadku wystąpienia usterki podświetlenie ekranu wskazuje kod usterki. Można wykonać 5 prób resetu, po których kocioł się wyłącza. Przed ponowną próbą resetu kotła poczekać 15 minut.

5. MENU INFORMACYJNE KOTŁA

Przytrzymać wciśnięty przycisk **(FIP)** przez min. 1 sekundę, aby wyświetlić informację wskazaną w tabeli. Nacisnąć **(O/R)** aby wyjść.

i	OPIS	i	OPIS
00	Kod wewnętrzny usterki wtórnej	06	Temperatura powrotu z c.o. (°C)
01	Temperatura zasilania c.o. (°C)	07	Temperatura czujnika spalin (°C)
02	Temperatura zewnętrzna (°C)	08	Temperatura wymiennika pierwotnego (°C)
03	Temp. c.w.u. zasobnika pośredn. (kocioł tylko do co)	09 - 13	Informacje producenta
04	Temperatura c.w.u. (kocioł z wymiennikiem płytowym)	14	Identyfikacja komunikacji Open Therm
05	Ciśnienie wody instalacji grzewczej (bar)	15 - 18	Informacje producenta

6. WYŁĄCZENIE KOTŁA

Aby wyłączyć kocioł, należy odłączyć go od zasilania elektrycznego wyłącznikiem dwubiegunowym. W trybie „Wyl” kocioł pozostaje wyłączony lecz obwody elektryczne pozostają pod napięciem i aktywna jest ochrona przeciwzamarzaniowa.

7. NAPEŁNIANIE INSTALACJI

Regularnie sprawdzać, czy wartość ciśnienia wyświetlana na ciśnieniomierzu "B" wynosi 1 - 1,5 bar, przy zimnym kotle. Jeżeli ciśnienie jest za niskie, obrócić zawór "A", aby napełnić kocioł (rys. obok).

A	Kurek do napełniania kotła / instalacji
B	Ciśnieniomierzu



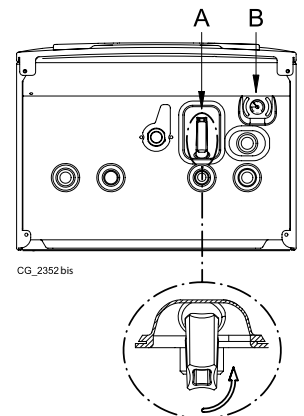
Zaleca się zachowanie szczególnej ostrożności w fazie napełniania instalacji grzewczej. Przede wszystkim otworzyć zawory termostacyjne, gdy są obecne w instalacji, przepuścić powoli wodę w celu uniknięcia powstania powietrza wewnątrz pierwotnego obwodu dopóki nie osiągnie się ciśnienia koniecznego do działania. Na koniec odpowietrzyć ewentualne elementy grzejne instalacji. De Dietrich nie bierze na siebie żadnej odpowiedzialności za szkody spowodowane obecnością pęcherzyków powietrza wewnątrz wymiennika ciepła z powodu nieprawidłowego lub braku zastosowania się do powyższych wskazówek.



Kocioł jest wyposażony w czujnik ciśnienia wody, który uniemożliwia pracę kotła w przypadku braku wody.



W razie częstego występowania spadku ciśnienia, kocioł powinien być sprawdzony przez autoryzowany serwis.



8. KONSERWACJE OKRESOWE

Aby utrzymać kocioł sprawny i bezpieczny, musi on być sprawdzony przez autoryzowany serwis pod koniec każdego sezonu grzewczego.

Skrupulatny przegląd zapewni oszczędną pracę instalacji

INSTRUKCJE PRZED ZAINSTALOWANIEM

Poniższe uwagi i instrukcje są adresowane do instalatorów, aby umożliwić im bezproblemowe wykonanie instalacji. Instrukcje dotyczące załączenia i eksploatacji zawarto w części "Instrukcje dla użytkownika". Instalowanie, konserwacja oraz uruchomienie domowych instalacji opalanych gazem musi być przeprowadzone przez uprawnionych instalatorów, zgodnie z obowiązującymi przepisami.

Ponadto należy pamiętać:

- W przypadku montowania urządzenia w miejscu o temperaturze otoczenia poniżej 0°C, należy przedsięwziąć odpowiednie środki ostrożności w celu niedopuszczenia do tworzenia się lodu w syfonie i przy wylocie kondensatu.
- Ten kocioł można podłączyć do każdego typu dwu- lub jednoprzewodowego konwektora, grzejnika lub termokonwektora. Projektować przekroje instalacji jak zwykle, jednakże uwzględniając możliwy przepływ-wysokość tłoczenia w płycie, jak przedstawiono w rozdz. 17.
- Nie pozostawiać żadnego opakowania (worki plastikowe, polistyren, itd.) dostępnego dla dzieci, ponieważ jest ono potencjalnym źródłem zagrożenia.
- Pierwsze uruchomienie kotła musi być wykonane przez autoryzowanego instalatora, wskazanego na załączonej ulotce.

Nieprzestrzeganie powyższego spowoduje anulowanie i utratę gwarancji.

OSTRZEŻENIE O DODATKOWEJ POMPIE

Jeżeli w instalacji grzewczej używana jest dodatkowa pompa, zamontować ją w obiegu powrotnym kotła. Umożliwi to prawidłową pracę presostatu wody.

OSTRZEŻENIE DOTYCZĄCE INSTALACJI SOLARNEJ

Jeżeli do instalacji z kolektorami słonecznymi podłączony jest podgrzewacz do natychmiastowego wytwarzania c.w.u. (dwufunkcyjny), maksymalna temperatura c.w.u. wpływającej do podgrzewacza nie może przekraczać 60°C.



Części opakowania (woreczki plastikowe, polistyrenowe itp.) nie wolno zostawiać w zasięgu dzieci, ponieważ stanowią one źródło zagrożenia.

9. INSTALOWANIE KOTŁA

Rysunek wzornika jest dostępny na końcu instrukcji obsługi w załączniku "SECTION" C.

Po podjęciu decyzji o dokładnej lokalizacji kotła, przymocować szablon do ściany. Podłączyć instalację do wlotów gazu i wody znajdujących się na dolnym pasie szablonu. Upewnić się, że tył kotła jest równoległy do ściany (w przeciwnym razie regulować za pomocą podkładek dolną część). Zamontować dwa zawory G 3/4 (zasilanie i powrót) w obiegu c.o.; dzięki tym zaworom można wykonać ważne prace w instalacji bez całkowitego jej opróżniania. Jeżeli instaluje się kocioł w istniejącej instalacji lub wymienia się go, jak również jak powyżej, zamontować zbiornik osadowy pod kotłem w przewodzie powrotnym w celu zebrania wszelkich osadów i kamienia kotłowego krążących w instalacji po przepłukaniu. Po zamocowaniu kotła na szablonie podłączyć przewody spalinowe i powietrzne, dostarczane jako wyposażenie dodatkowe, jak opisano w dalszych rozdziałach. Podłączyć syfon ze stałym spadkiem. Unikać poziomych odcinków.



Nie podnosić urządzenia chwytając za plastikowe komponenty, takie jak na przykład syfon czy wieżyczka dymu.



Docisnąć łączniki wodne kotła z zachowaniem ostrożności (maksymalny moment dokręcania = 30 Nm).



Przed włączeniem kotła, napełnić syfon wodą w celu niedopuszczenia, do niekontrolowanego wypływu spalin.

9.1 DODATKOWE WYPOSAŻENIE DOSTARCZONE W OPAKOWANIU

- Wzornik (patrz rysunek w załączniku "SECTION" C)
- Poprzecznicza wsporcza kotła
- Kołki rozporowe 8 mm i śruby dociskowe
- Przewód odprowadzający skropliny

AKCESORIA dostarczone na życzenie:

- Kurki zasilania/powrotu c.o., kurek wlotu wody i łączniki teleskopowe
- Kurek gazowy

9.2 WYMIARY KOTŁA

Wymiary kotła i właściwe wysokości instalacyjne złączy wodnych są podane na końcu instrukcji w załączniku "SECTION" C.

A	Punkt odprowadzenia kondensatu	D	Wlot gazu
B	Zasilanie c.o.	E	Wlot wody zimnej użytkowej / zawór napełniania instal.
C	Wypływ c.w.u.(G1/2") / zasilanie podgrz. kotła (G3/4")	F	Powrót z c.o.

Sekcja INSTALATORA (p1)

10. INSTALOWANIE PRZEWODÓW SPALINOWYCH

Kocioł jest łatwy do zainstalowania dzięki szerokiemu asortymentowi dostępnych akcesoriów, jak opisano poniżej. Kocioł został zaprojektowany do podłączenia do pionowego lub poziomego koncentrycznego przewodu powietrzno-spalinowego. Kocioł może być używany również z oddzielnymi przewodami z wykorzystaniem zestawu rozdzielającego.

OSTRZEŻENIA

C13, C33 Wyloty oddzielnych przewodów należy zamontować wewnątrz kwadratu 50 cm. Szczegółowe instrukcje dostarcza się z poszczególnymi akcesoriami.

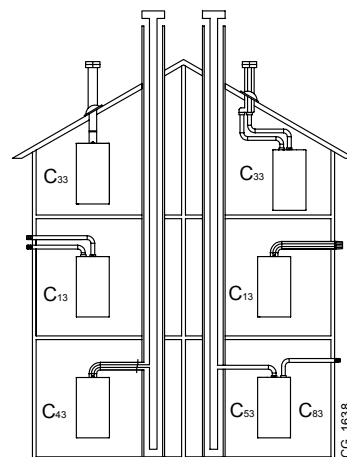
C53 Nie montować wylotów przewodów powietrznych i spalinowych na przeciwległych ścianach budynku.

C63 Spadek ciśnienia w przewodach nie może przekraczać **100 Pa**. Przewody muszą posiadać atest dla tego konkretnego zastosowania oraz dla temperatury przekraczającej 100°C. Wylot przewodu spalinowego musi mieć atest wg EN 1856-1.

C43, C83 Wylot przewodu spalinowego lub przewód spalinowy musi być odpowiedni dla tego celu.



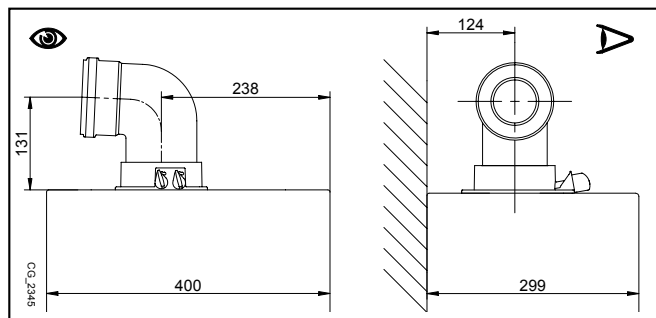
W celu zagwarantowania maksymalnego bezpieczeństwa podczas działania, konieczne jest, aby przewody wylotowe spalin były odpowiednio przymocowane do ściany za pomocą specjalnych wsporników mocujących. Wsporniki muszą być umieszczone w odległości około 1 metra jeden od drugiego w pobliżu łączników.



Przeczytać uważnie instrukcje przewodów zawartych w niniejszym podręczniku oraz instrukcje dostarczone razem z dodatkowym wyposażeniem, w przypadku różnic, instrukcje przewodów niniejszego podręcznika muszą być przestrzegane.

10.1 PRZEWODY KONCENTRYCZNE

Ten rodzaj przewodu jest używany do odprowadzenia spalin i doprowadzenia powietrza do spalania z zewnątrz budynku i gdy zamontowany jest kanał spalinowy LAS. Koncentryczne kolano 90° umożliwia podłączenie kotła do przewodu powietrzno-spalinowego w dowolnym kierunku, ponieważ można je obracać o 360°. Można je również zastosować jako kolano dodatkowe w połączeniu z przewodem koncentrycznym lub kolanem 45°. W przypadku odprowadzania spalin na zewnątrz, przewód wylotowo-zasysający musi wystawać ze ściany na długość co najmniej 18 mm, aby umożliwić nałożenie aluminiowej rozety i jej zaplombowanie w celu nie dopuszczenia do przedostawania się wody.



- Wstawienie kolanka 90° zmniejsza długość całkowitą przewodu o 1 metr.
- Wstawienie kolanka 45° zmniejsza długość całkowitą przewodu o 0,5 metra.
- Pierwsze kolanko 90° nie jest brane pod uwagę w obliczeniu maksymalnej dostępnej długości.

Przymocować przewody ssące za pomocą dwóch śrub ocynkowanych o $\varnothing 4,2$ mm i maksymalnej długości 19 mm. Jeżeli śruby nie są dostarczone w wyposażeniu, należy zaopatrzyć się na miejscu w śruby o tej samej charakterystyce.



Przed przymocowaniem śrub upewnić się czy przewód jest włożony do środka uszczelki na co najmniej 45 mm od jej końcówki (patrz rysunku na końcu podręcznika w załączniku "SECTION" D).



Minimalne nachylenie przewodu wylotowego w stronę kotła musi wynosić 5 cm na metr długości.



PRZYKŁADY INSTALOWANIA PRZEWODÓW WYLOTOWYCH ORAZ ICH WZGLĘDNE MAKSYMALNE DŁUGOŚCI PRZEDSTAWIONO W DODATKU "SECTION" D NA KOŃCU TEJ INSTRUKCJI.

10.1.1 TYPOLOGIA ODPROWADZANIA SPALIN C43P

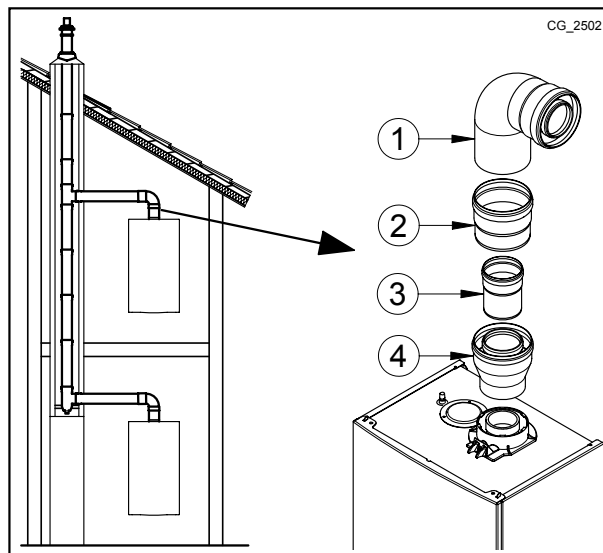
Wspólny kanał dymny z dodatnim ciśnieniem do kotłów z komorą szczelną

II Tego typu instalowanie może być zastosowane wyłącznie z kotłami pracującymi na gaz naturalny (G20-G27)

W celu podłączenia kotła do wspólnego kanału dymnego C43P należy obowiązkowo założyć grzechotkę jednokierunkową. Wymiarowanie kanału dymnego jest wykonane przez dostawcę przewodu według wymogów normy EN 13384-2.

1	Kolanko rurowe 90° Ø 80/125 mm
2	Przewód Ø 80/125 mm
3	Grzechotka jednokierunkowa Ø 80 mm
4	Adapter Ø 60/100 -> 80/125 mm

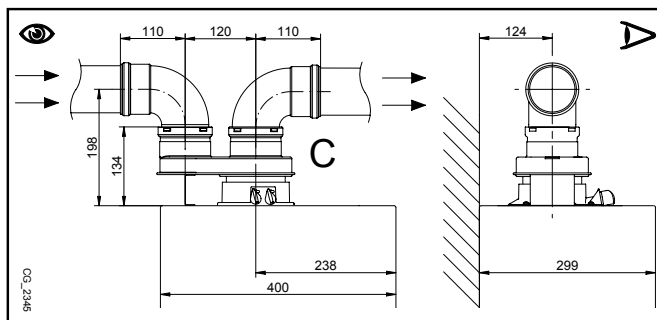
Dla tego typu instalacji konieczne jest zmodyfikowanie parametrów P71 i P72 karty elektronicznej, tak jak wskazane w tabeli (patrz również instrukcje SERVICE). Po zmodyfikowaniu parametrów, należy wykonać kalibrację kotła w sposób opisany w podręczniku SERVICE.



Model	P72 Qmin - Ciśnienie w kominie 25 Pa	P71 Qmax - Ciśnienie w kominie 86 Pa
MPX 24 - MPX 20/24 MI	85	130
MPX 24/28 MI	85	185
MPX 28/33 MI	85	180

10.2 PRZEWODY ODDZIELNE

W specjalnych instalacjach wlotowych/wylotowych przewodów spalinowych można używać zestaw rozdzielający (C), dostarczany jako wyposażenie dodatkowe. Zestaw ten można wykorzystać do przesunięcia wlotu i wylotu w dowolnym kierunku. Tego rodzaju instalacja umożliwia odprowadzenie spalin na zewnątrz budynku pojedynczymi przewodami. Powietrze do spalania może być pobierane z innego miejsca niż wylot spalin. Zestaw rozdzielający montuje się na kotle (100/60 mm). Pozwala on prowadzić powietrze do spalania i spaliny dwoma oddzielnymi przewodami (80 mm). Dalsze informacje zob. instrukcja montażu dostarczona z wyposażeniem dodatkowym.



Kolano 90° używane jest do podłączenia kotła do przewodów wlotowych i wylotowych, dopasowując je do różnych wymagań. Można je również zastosować jako kolano dodatkowe w połączeniu z przewodem koncentrycznym lub kolaniem 45°.

- Wstawienie kolanka 90° zmniejsza długość całkowitą przewodu o 0,5 metra.
- Wstawienie kolanka 45° zmniejsza długość całkowitą przewodu o 0,25 metra.
- Pierwsze kolanko 90° nie jest brane pod uwagę w obliczeniu maksymalnej dostępnej długości.

II PRZYKŁADY INSTALOWANIA PRZEWODÓW WYLOTOWYCH ORAZ ICH WZGLĘDNE MAKSYMALNE DŁUGOŚCI PRZEDSTAWIONO W DODATKU "SECTION" D NA KOŃCU TEJ INSTRUKCJI.

Sekcja INSTALATORA (p1)

11. PODŁĄCZENIA ELEKTRYCZNE

Bezpieczeństwo elektryczne urządzenia zostanie osiągnięte tylko wtedy, gdy jest ono prawidłowo podłączone do sprawnej instalacji uziemienia, wykonanej według norm bezpieczeństwa obowiązujących dla instalacji. Kocioł musi być podłączony elektrycznie do sieci zasilania 230 V jednofazowej + uziemienie za pomocą trójprzewodowego kabla dostarczonego w wyposażeniu zachowując biegunowość.

Podłączenie należy wykonać za pomocą dwubiegunowego wyłącznika z otwarciem styków na co najmniej 3 mm.

W przypadku wymiany kabla zasilającego należy użyć kabla HAR H05 VV-F" 3x0,75 mm² z maksymalną średnicą 8 mm. Bezpieczniki topikowe, szybkie z 2A są wbudowane w tabliczkę zaciskową zasilania (wyciągnąć oprawę bezpiecznika w czarnym kolorze do kontroli i/lub wymiany).

Obrócić do dołu skrzynkę sterowań i przejść do tabliczek zaciskowych **M1** i **M2** przeznaczonych do połączeń elektrycznych ściągnąjąc pokrywę ochronną.



Upewnić się, że całkowita znamionowa moc wejściowa wyposażenia dodatkowego podłączonego do urządzenia jest mniejsza od 2A. Jeżeli jest większa, zainstalować przełącznik pomiędzy wyposażeniem dodatkowym i płytą elektroniczną.



Tabliczka zaciskowa M1 znajduje się pod wysokim napięciem. Przed przystąpieniem do podłączenia, upewnić się czy urządzenie nie jest już zasilane elektrycznie.

LISTWA ZACISKÓW M1

(L) = Faza (brązowy)

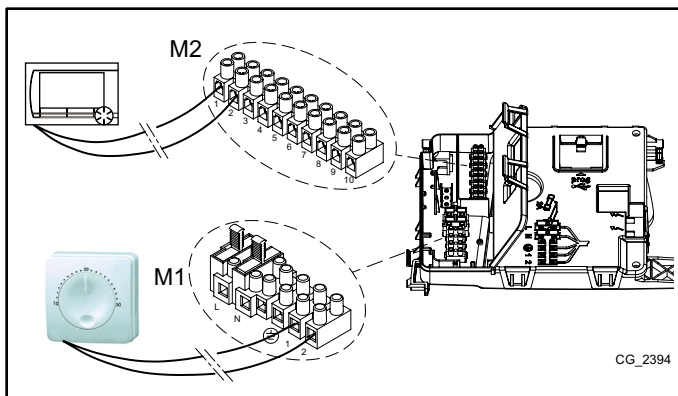
(N) = Zero (jasnoniebieski).

(⊕) = Ziemia (żółto-zielony).

(1) (2) = styk dla Termostatu Pokojowego.



Jeżeli termostat pokojowy nie jest używany lub gdy zdalne sterowanie nie jest zainstalowane, założyć z powrotem zwórkę na zaciski 1-2 w listwie zacisków kotła M1.



LISTWA ZACISKÓW M2

Zaciski 1 - 2: zdalnego sterowania (niskie napięcie) dostarczanego jako wyposażenie dodatkowe.

Zaciski 4 - 5 : podłączenie czujnika zewnętrznego (dostarczany jako wyposażenie dodatkowe)

Zaciski 3-6-7-8: nie używane.

Zaciski 9-10: podłączenie czujnika podgrzewacza pojemnościowego.



Jeżeli kocioł jest podłączony do ogrzewania podłogowego, zainstalować termostat ograniczający, zapobiegający przegrzaniu instalacji.



Wykorzystać przepusty kablowe u dołu kotła do przełożenia kabli do listw zacisków.

11.1 PODŁĄCZENIE TERMOSTATU POKOJOWEGO



Połączenia w listwie zacisków M1 są pod wysokim napięciem (230V). Przed wykonaniem połączeń upewnić się, że urządzenie jest odłączone od zasilania elektrycznego. Przestrzegać biegunowości L (faza) - N (zero).

W celu podłączenia termostatu pokojowego do kotła postępować następująco:

- wyłączyć kocioł;
- uzyskać dostęp do listwy zacisków **M1**;
- usunąć zwórkę z końcówek styków **1-2** i podłączyć przewody Termostatu Pokojowego;
- załączyć kocioł i upewnić się, że termostat pokojowy pracuje prawidłowo.

11.2 WYPOSAŻENIE DODATKOWE NIE OBJĘTE DOSTAWĄ

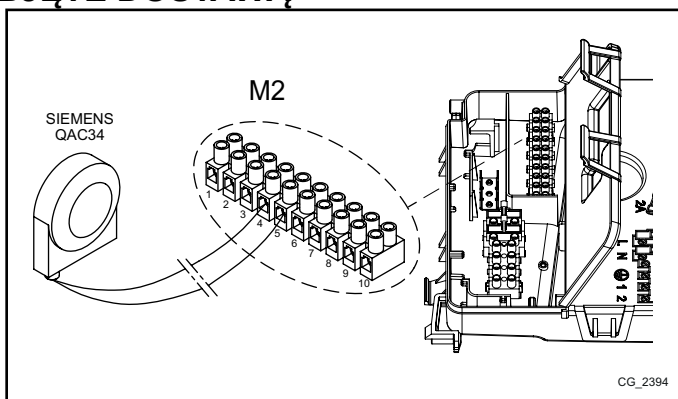
11.2.1 CZUJNIK ZEWNĘTRZNY

Podłączenie tego czujnika - patrz rys. obok (zaciski **4-5**) i instrukcje dostarczone z czujnikiem.

NASTAWA KRZYWEJ POGODOWEJ "Kt"



Gdy zewnętrzna sonda jest podłączona do kotła, karta elektroniczna reguluje temperaturę zasilania obliczoną w oparciu o ustawiony współczynnik **Kt**. Wybrać wymaganą krzywą naciskając klawisze jak podano na załączonym wykresie **SECTION E** w celu wybrania tej najbardziej odpowiedniej (od 00 do 90).

LEGENDA WYKRES - "SECTION" E



	Temperatura zasilania		Temperatura zewnętrzna
--	-----------------------	--	------------------------

11.2.2 ZEWNETRZNY PODGRZEWACZ POJEMNOŚCIOWY

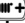

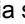

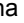
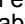
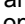
Kocioł jest przystosowany elektrycznie do podłączenia do bojlera zewnętrznego. Podłączenie hydrauliczne bojlera zewnętrznego jest przedstawiona na rysunku załącznika "SECTION" F. Podłączyć sondę NTC obiegu c.w.u. do zacisków 9-10 tablicy zaciskowej M2. Czujły element sondy NTC musi być włożony do specjalnej studzienki znajdującej się na bojlerze. Sprawdzić czy moc wężownicowego wymiennika bojlera jest odpowiednia do mocy kotła. Regulację temperatury wody użytkowej (+35°C...+60°C) wykonuje się za pomocą klawiszy  .

WAŻNE: ustawić parametr P03 = 05 w sposób opisany w rozdziale 14.


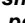

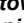
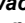


12. FUNKCJE SPECJALNE

12.1 PIERWSZY ZAPŁON

Wykonać poniższą procedurę przy pierwszym uruchomieniu kotła. Po podłączeniu kotła do zasilania elektrycznego na ekranie pojawi się kod "000", Oznacza to, że kocioł jest gotowy do procedury "pierwszego zapłonu".

- Nacisnąć razem   i przytrzymać przez 6 sekund. Na ekranie przez 2 sekundy pojawi się "On" (zał.), a następnie kod "312" wskazujący, że aktywna jest funkcja "odpowietrzenie instalacji". Funkcja ta działa przez 10 minut.
- Zaraz potem kocioł się załącza, na ekranie pokazuje się kod "000" na przemian z wartością procentową mocy zapłonu i wartością temperatury (°C). W trakcie tej fazy "funkcji rozpoznania gazu" trwającej ok. 7 minut, poddany jest analizie używany rodzaj gazu. Podczas trwania tej funkcji zapewnić maksymalną wymianę ciepła dla instalacji c.o. lub c.w.u. (zapotrzebowanie na c.w.u.) w celu uniemożliwienia wyłączenia kotła na skutek przegrzania.
- Jeżeli kocioł jest opalany gazem ziemnym, na ekranie przez ok. 10 sek. widać napis **NG**. Kocioł jest gotowy do normalnej pracy. Jeżeli na ekranie pojawia się **LPG**, nacisnąć razem  i  i przytrzymać przez minimum 4 sek., aby wyjść bez zmiany nastawy fabrycznej.
- Jeżeli kocioł jest opalany propanem na ekranie widać napis **LPG**. Naciskać  przez minimum 6 sekund dla potwierdzenia faktycznie używanego rodzaju gazu. Jeżeli ekran pokazuje **NG** i nie rozpoznaje rodzaju używanego gazu, nacisnąć razem  i  i przytrzymać przez minimum 4 sek., aby opuścić funkcję, a następnie zmienić parametr **P02=01** jak opisano w rozdziale "NASTAWY PARAMETRÓW" w instrukcji obsługi kotła.




Jeżeli funkcja odpowietrzania lub rozpoznania gazu zostanie przerwana na skutek zaniku zasilania elektrycznego, uruchomić funkcję ponownie po przywróceniu zasilania przez naciśnięcie razem przycisków  i  i przytrzymanie ich przez minimum 6 sek. Jeżeli w trakcie funkcji odpowietrzania ekran pokazuje usterkę E118 (niskie ciśnienie w obiegu hydraulicznym), otworzyć zawór napełniający na kotle i przywrócić prawidłowe ciśnienie. Jeżeli funkcja rozpoznania gazu zostanie przerwana z powodu usterki (np. E133 brak gazu) nacisnąć  aby zresetować, a następnie naciskać  i  (przez min. 6 sek.), aby zrestartować funkcję ponownie. Jeżeli funkcja rozpoznania gazu zostanie przerwana z powodu przegrzania, zrestartować funkcję naciskając przyciski  i  i przytrzymując je przez minimum 6 sekund.

Spalanie w tym kotle zostało fabrycznie sprawdzone, skalibrowane i natawione do pracy z GAZEM ZIEMNYM.

W trakcie działania funkcji Kontrola rodzaju gazu, stosunek spalania wzrośnie przez krótki okres czasu, podczas ustalania rodzaju gazu.





W trakcie zapłonu początkowego palnik może się nie zapalić (powodując wyłączenie kotła) do momentu odpowietrzenia przewodów gazowych. W tym wypadku powtarzać procedurę zapłonu, aż gaz dotrze do palnika. Aby zresetować pracę kotła naciskać  przez minimum 2 sekundy.



Przy pierwszych paru zapłonach zaraz po zainstalowaniu, instalacja musi wdrożyć procedurę samo-uczenia, aby osiągnąć prawidłowy poziom zapłonu.

12.2 FUNKCJA ODPOWIETRZENIA INSTALACJI

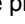
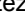


Funkcja ta jest używana dla ułatwienia usunięcia powietrza z obiegu grzewczego jeżeli kocioł jest zainstalowany po raz pierwszy, lub po konserwacji, gdy spuszczone wodę z obiegu pierwotnego.

Dla zwolnienia funkcji odpowietrzenia instalacji naciskać razem przyciski   przez 6 sek. Gdy funkcja jest aktywna na ekranie pojawia się przez kilka sekund **On**, a następnie wiersz programu 312.

Płyta elektroniczna uaktywni cykl zał/wył pompy trwający 10 minut. Funkcja automatycznie zatrzyma się po zakończeniu cyklu. Aby opuścić funkcję w sposób ręczny, naciskać jeszcze raz powyższe przyciski przez 6 sekund.

12.3 KOMINIARZ

Funkcja ta pozwala kotłu generować **maksymalną moc cieplną**. Po uaktywnieniu % mocy kotła może być nastawiany od minimum do maksimum w trybie c.o. Stosowana jest następująca procedura:

- Naciskać razem przyciski  i  przez minimum 6 sek. Gdy funkcja jest dozwolona, ekran pokazuje przez kilka sekund "On" (zał.), a następnie wiersz programu "303" naprzemian z wartością % mocy kotła.
- Naciskać   aby stopniowo regulować moc (co 1 %).
- Aby opuścić funkcję naciskać obydwa przyciski przez minimum 6 sek., jak opisano w punkcie pierwszym.



Nacisnąć  aby wyświetlić natychmiast przez 15 sek. temperaturę zasilania.

12.4 ANALIZA SPALANIA

Dla prawidłowej pracy kotła zawartość ($\text{CO}_2 - \text{O}_2$) w spalinach musi mieścić się w granicach wskazanych w poniższej tabeli. Jeżeli zawartość ($\text{CO}_2 - \text{O}_2$) jest inna, sprawdzić elektrody i odstęp między nimi. O ile to konieczne, wymienić elektrody i poprawnie je zamontować. Jeżeli problem nie ustępuje, wykorzystać poniższą funkcję.

		G20 - G27		G31	
		CO_2 %	O_2 %	CO_2 %	O_2 %
Moc maksymalna	Wartość znamionowa	8,7	5,4	10,0	6,0
	Wartość dopuszczalna	8,2 - 9,3	6,3 - 4,3	9,5 - 10,5	6,8 - 5,2
Moc zapłonu	Wartość znamionowa	8,7	5,4	10,8	4,8
	Wartość dopuszczalna	8,2 - 9,3	6,3 - 4,3	10,3 - 11,3	5,5 - 4,1
Moc minimalna	Wartość znamionowa	8,8	5,2	10,0	6,0
	Wartość dopuszczalna	8,2 - 9,3	6,3 - 4,3	9,5 - 10,5	6,8 - 5,2



Analizę spalin należy wykonać analizatorem regularnie kalibrowanym.



W trakcie normalnej pracy kocioł wykonuje cykle kontrolne spalania. W tej fazie przez krótki okres czasu może wystąpić zawartość CO_2 wyższa niż 1000 ppm.

FUNKCJA REGULACJI SPALANIA (CO_2 %)

Celem tej funkcji jest częściowa regulacja zawartości % CO_2 . Stosowana jest następująca procedura:

- naciskać razem przyciski i przez minimum 6 sek. Gdy funkcja jest dozwolona ekran pokazuje przez kilka sekund "On", a następnie wiersz programu "304" naprzemian z wartością % mocy kotła;
- po załączeniu palnika kocioł powraca do maksymalnej mocy c.w.u. (100). Gdy ekran pokazuje "100" możliwa jest częściowa regulacja wartości % CO_2 ;
- nacisnąć ekran pokazuje "00" naprzemiennie z numerem funkcji "304" (miga);
- nacisnąć aby zwiększyć lub zmniejszyć wartość CO_2 (od -3 do +3);
- nacisnąć aby zapamiętać nową wartość i zobaczyć ponownie na ekranie wartość mocy "100" (kocioł kontynuuje pracę z maksymalną mocą c.w.u.).

Tę procedurę można również stosować do regulacji ilości po CO_2 do **mocy zapłonu** i do **mocy minimalnej** naciskając i punkcie 5 procedury opisanej powyżej.

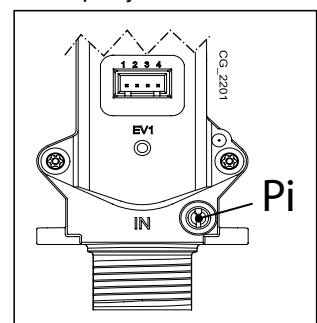
- Po zapamiętaniu nowej wartości (pkt 5 procedury) nacisnąć by doprowadzić kocioł do **mocy zapłonu**. Poczekać, aż wartość CO_2 ustabilizuje się, a następnie wykonać regulację jak w p. 4 procedury (wartość mocy jest liczbą <100 i >0) i zapamiętać (punkt 5).
- Nacisnąć ponownie aby doprowadzić kocioł do **mocy minimalnej**. Poczekać, aż wartość CO_2 ustabilizuje się, a następnie wykonać regulację jak w pkt 4 procedury (wartość mocy = 00).
- Aby opuścić funkcję naciskać przyciski przez minimum 6 sek. jak opisano w punkcie 1.

13. ZAWÓR GAZOWY

Ten kocioł nie wymaga żadnej mechanicznej regulacji zaworu. Zapewniona jest elektroniczna samo-adaptacja.

Symbole dla zaworu gazowego

Pi
Pomiar ciśnienia zasilania gazem



13.1 METODY PRZEBROJENIA NA INNY RODZAJ GAZU

Przebrojenie z **GAZU ZIEMNEGO** na **GAZ PŁYNNY** i odwrotnie może wykonać tylko autoryzowany serwis. W celu wykonania kalibracji, ustawić parametr **P02** jak opisano w rozdziale NASTAWY PARAMETRÓW. Na koniec sprawdzić parametry spalania, jak opisano w rozdziale FUNKCJE SPECJALNE - KONTROLA PARAMETRÓW SPALANIA.



Na zakończenie operacji zamiany gazu należy wpisać na tabliczce znamionowej rodzaj używanego gazu.

14. NASTAWY PARAMETRÓW

Dla zaprogramowania parametrów płyty elektronicznej kotła, postępować następująco:

- nacisnąć razem i i przytrzymać przez 6 sekund, aż na ekranie pojawi się wiersz programu "P01" naprzemian z wartością nastawy;
- nacisnąć aby przewinąć listę parametrów;
- nacisnąć , wybrana wartość zaczyna migać, nacisnąć aby zmienić wartość;
- nacisnąć dla potwierdzenia wartości, albo nacisnąć celem wyjścia bez zapamiętania.



Dalsze informacje dotyczące parametrów wymienionych w tabeli poniżej są dostarczane z wymaganym wyposażeniem dodatkowym.



W przypadku montażu z instalacją podłogową, ustawić parametr P16 (Kotła) lub P15 (Zdalnego sterow.) = 01.

Kotła	Zdalnego sterow.* 	OPIS PARAMETRÓW	NASTAWY FABRYCZNE			
			24	20/24 MI	24/28 MI	28/33 MI
P01	P00	Informacje producenta	01			
P02	P01	Używany gaz 00 = METAN - 01 = LPG	00			
P03	P02	Układ hydrauliczny 00 = urządzenie z natychmiastowym poborem 03 = urządzenie o działaniu natychmiastowym z funkcją wstępnego podgrzewania 05 = urządzenie z zewnętrznym podgrzewaczem pojemnościowym 08 = urządzenie tylko do c.o.	08	00	00	00
P04	P03	Nastawy programowalnego przekaźnika 1 (zob. instrukcje serwisowe)	02			
P05	P04	Nastawy programowalnego przekaźnika 2 (zob. instrukcje serwisowe)	04			
P06	P05	Konfiguracja wejścia czujnika zewnętrznego (zob. instrukcje serwisowe)	00			
P07..P09	P06..P08	Informacje producenta	--			
P10	P09	Nastawa wartości zadanej ogrzewania Open Therm / termostat pokojowy (zdalne sterowanie - Open Therm / termostat pokojowy 230V ~) 00=żądanie temperatury jest wartością zadaną zdalnego sterowania 01=żądanie temperatury jest najwyższą wartością zadaną pomiędzy zdalnym sterowaniem i płytą PCB 02=żądanie temperatury jest wartością zadaną zdalnego sterowania. Termostat pokojowy zezwala na pracę kotła gazowego	00			
P11..P12	P10..P11	Informacje producenta	--			
P13	P12	Maksymalna moc c.o. (0-100%)	100	80	86	80
P14	P13	Maksymalna moc c.w.u. (0-100%)	100			
P15	P14	Minimalna moc cieplna (0-100%)	00			
P16	P15	Maksymalna wartość zadana c.o. (°C) 00 = 85°C - 01 = 45°C	00			
P17	P16	Czas wybiegu pompy w trybie ogrzewania (01 ÷ 240 min.)	03			
P18	P17	Opóźnienie zapłonu palnika w trybie c.o. (00 ÷ 10 min.) - 00 = 10 sek.	03			
P19	P18	Informacje producenta	07			
P20	P19	Czas wybiegu pompy w trybie c.w.u. (sekundy)	30			
P21	P20	Funkcja antylegionelli (°C) 00...54 = Wyłączona - 55...67 = Włączona (należy ustawić wielkość temperatury)	00			
P22	P21**	Informacje producenta	00			
P23	P22	Maksymalna wartość zadana temperatury c.w.u.	60			
P24	P23	Informacje producenta	35			
P25	P24	Urządzenie zabezpieczające przed brakiem wody	00			
P26..P31	P25..P30	Informacje producenta	--			
P32..P41	P31..P40	Diagnostic (zob. instrukcje serwisowe)	--			
P67	P66	Nastawy Open Therm (OT) (zob. instrukcje serwisowe) 02 = Open Therm Standard	02			

* Zdalne sterowanie modulacyjne musi mieć wersję co najmniej 2.8

** Nie ma możliwości dostępu do ustawień instalatora za pośrednictwem zdalnego sterowania modulacyjnego

Sekcja INSTALATORA (P1)

14.1 REGULACJA MAKSYMALNEJ MOCY OGRZEWANIA

Maksymalna moc cieplna kotła może być obniżona w celu dostosowania do wymagań instalacji grzewczej. W tabeli poniżej przedstawiono wartości parametru **P13** stosownie do żądanej mocy maksymalnej dla każdego pojedynczego kotła.

Dla uzyskania dostępu i edytowania wartości **P13**, postępować jak opisano w rozdziale NASTAWY PARAMETRÓW.

Model kotła - PARAMETR P13 (%) / Moc cieplna (kW)

kW	24	20/24 MI	24/28 MI	28/33 MI
3,5	0	0		
4	2	2	0	
5	7	7	4	0
6	12	12	8	4
7	17	17	13	7
8	22	22	17	11
9	27	27	21	14
10	32	32	25	18
12	41	41	33	25
14	51	51	42	32
16	61	61	50	39
18	71	71	58	46
20	80	80	67	54
22	90		75	61
24	100		86	68
26				75
28				80

15. WYSZUKIWANIE USTEREK

Usterki są przedstawiane na ekranie przy pomocy symbolu **E** i numeru (kod usterki). Kompletny wykaz usterek zawiera tabela poniżej.

Jeżeli na ekranie pojawi się symbol **R** usterka może być RESETOWANA przez użytkownika.

Dla ZRESETOWANIA kotła naciskać przez 2 sekundy **OR**. Jeżeli usterka jest wyświetlana często, wezwać autoryzowany serwis.

E	Opis usterki	Działanie serwisu
09	Błąd podłączenia zaworu gazowego	Sprawdzić połączenia między zaworem gazowym i płytą elektroniczną.
10	Usterka czujnika zewnętrznego	Sprawdzić czujnik (*).
12	Usterka przełączenia presostatu różnicowego wody	Sprawdzić prawidłowe działanie presostatu i oprzewodowanie.
13	Zablokowane zestyki presostatu różnicowego wody	Zob. działania wskazane w E12
15	Usterka zaworu gazowego	Sprawdzić połączenia między zaworem gazowym i płytą elektroniczną. Ewentualnie wymienić płytę elektroniczną.
18	Automatyczne napełnianie obiegu hydraulicznego w toku	Poczekać do zakończenia cyklu napełniania.
19	Usterka w fazie napełniania układu	Sprawdzić zawór napełniający.
20	Usterka czujnika zasilania NTC	Sprawdzić czujnik (**). Sprawdzić ciągłość oprzewodowania czujnika. Upewnić się, że nie ma zwarcia w oprzewodowaniu.
28	Usterka czujnika spalin NTC	Sprawdzić czujnik spalin NTC (***) Sprawdzić ciągłość oprzewodowania czujnika. Upewnić się, że nie ma zwarcia w oprzewodowaniu.
40	Usterka czujnika powrotu NTC	Zob. działania wskazane w E20
50	Usterka czujnika c.w.u. NTC (jedynie model tylko do c.o. z podgrzewaczem pojemnościowym)	Zob. działania wskazane w E20
53	Zablokowany wylot spalin	Sprawdzić drożność przewodu odprowadzającego. Wyłączyć na parę sekund zasilanie elektryczne kotła.

55	Nie skalibrowana płyta elektroniczna	Uaktywnić funkcję automatycznej kalibracji opisaną w ulotce z instrukcjami dla części zamiennych.	
83...87	Problem komunikacji między płytą kotła i sterowaniem. Prawdopodobnie zwarcie w przewodach.	Sprawdzić przewodowanie między Urządzeniem Pokojowym i płytą elektroniczną lub połączenie RF.	
92	Usterka spalin w trakcie kalibrowania (prawdopodobnie recyrkulacja spalin)	Sprawdzić czy nie ma recyrkulacji spalin. Uaktywnić funkcję automatycznej kalibracji opisaną w rozdziale KONSERWACJA COROCZNA – WYMIANA ELEMENTÓW.	
109	Powietrze w obiegu kotłowym (usterka tymczasowa)	Sprawdzić pracę pompy . Sprawdzić przewodowanie zasilania elektrycznego pompy.	
110	Zadziałał termostat zabezp. z powodu nadmiernej temp. (prawdopodobnie zablokowana pompa lub zapowietrzony obieg c.o.)	Sprawdzić pracę pompy. Sprawdzić przewodowanie zasilania elektrycznego pompy Sprawdzić czy termostat ograniczający nie jest uszkodzony i w razie potrzeby wymienić. Sprawdzić ciągłość przewodowania termostatu zabezpiecz.	
117	Za wysokie ciśnienie w obiegu hydraulicznym (> 2,7 bar)	Sprawdzić, czy ciśnienie w instalacji jest prawidłowe Zob. rozdział NAPEŁNIANIE INSTALACJI.	
118	Za niskie ciśnienie w obiegu hydraulicznym	Jeżeli ciśnienie w obiegu CO < 0.5 bar, dopełnić instalację (zob. rozdział NAPEŁNIANIE INSTALACJI). Sprawdzić, czy presostat wody pracuje prawidłowo	
125	Brak wyzwolenia zabezpieczającego cyrkulacji (sterowanie poprzez czujnik temperatury)	Zob. działania wskazane w E109	
128	Brak płomienia	Sprawdzić, czy elektroda jonizacyjna jest w dobrym stanie i prawidłowo umieszczona (zob. rozdział KONSERWACJA COROCZNA – UMIESZCZENIE ELEKTROD). Sprawdzić, czy przewód nie jest przerwany i dobrze styka się z elektrodą jonizacyjną i przełącznikiem zapłonu. Zob. działania wskazane w E92	
129	Utrata płomienia przy zapłonie	Sprawdzić, czy elektroda jonizacyjna jest w dobrym stanie i prawidłowo umieszczona (zob. rozdział KONSERWACJA COROCZNA – UMIESZCZENIE ELEKTROD). Sprawdzić, czy przewód nie jest przerwany i dobrze styka się z elektrodą jonizacyjną i przełącznikiem zapłonu. Sprawdzić, czy nie ma recyrkulacji spalin.	
130	Zadziałał czujnik NTC spalin z powodu nadmiernej temperatury	Sprawdzić poziom wymiany ciepła wymiennika woda-spaliny: prawdopodobnie niewystarczająca cyrkulacja lub obecność kamienia kotłowego. Sprawdzić czujnik spalin NTC (***)	
133	Usterka zapłonu (5 prób)	Sprawdzić czy zawór gazowy jest otwarty i nie ma powietrza w obwodzie zasilania gazem. Sprawdzić ciśnienie zasilania gazem. Sprawdzić, czy przewód nie jest przerwany i dobrze styka się z elektrodą jonizacyjną i przełącznikiem zapłonu. Zob. działania wskazane w E92 Sprawdzić prawidłowe działanie odprowadzenia kondensatu.	
134	Zablokowany zawór gazowy	Sprawdzić ciśnienie zasilania gazem. Sprawdzić integralność i położenie elektrody jonizacyjnej i zapłonowej oraz ich przewodowanie (zob. rozdział KONSERWACJA COROCZNA - POŁOŻENIE ELEKTROD) W razie potrzeby wymienić płytę elektroniczną.	
135	Wewnętrzna usterka płyty	Wymienić płytę elektroniczną.	
154	Test kontrolny czujnika zasilania/powrotu	Zob. działania wskazane w E109	
160	Usterka wentylatora	Sprawdzić prawidłowe działanie wentylatora. Sprawdzić czy przewodowanie zasilania elektrycznego wentylatora jest podłączone to płyty elektronicznej.	
178	Zadziałanie termostatu zabezpieczającego przy nadmiernej temperaturze w instalacji niskotemperaturowej	Sprawdzić prawidłowe działanie pompy i obiegu wody w układzie niskotemperaturowym. Sprawdzić przewodowanie zasilania elektrycznego pompy.	
317	162	Nieprawidłowa częstotliwość zasilania elektrycznego	Sprawdzić czy nieprawidłowa częstotliwość zasilania elektrycznego jest spowodowana czynnikami zewnętrznymi kotła. W takim wypadku sontaktować się z dostawcą energii.

321	163	Usterka czujnika NTC c.w.u.	Zob. działania wskazane w E20
384	164	Falszywy płomień (usterka wewnętrzna)	Sprawdzić prawidłowe działanie zaworu gazowego.
385	165	Za niskie napięcie wejściowe	Napięcie wejściowe $V < 175V$. Sprawdzić czy obniżenie zasilania elektrycznego jest spowodowane czynnikami innymi niż kocioł. Jeżeli tak, skontaktować się z dostawcą energii.

CO = centralne ogrzewanie.

(*) Czujnik zewnętrzny: wartość oporności na zimno: ok. 1 kΩ przy 25°C (oporność spada wraz ze wzrostem temperatury).

(**) Czujnik NTC zasilania, powrotu i c.w.u: oporności na zimno: ok. 10 kΩ przy 25°C (oporność spada wraz ze wzrostem temperatury).

(***) Czujnik NTC spalin: wartość oporności na zimno: ok. 20 kΩ przy 25°C (oporność spada wraz ze wzrostem temperatury).



W przypadku wystąpienia usterki podświetlenie ekranu wskazuje kod usterki. Można wykonać 5 prób resetu, po których kocioł się wyłączy. Przed ponowną próbą resetu kotła poczekać 15 minut.

16. URZĄDZENIA REGULACYJNE I ZABEZPIECZAJĄCE

Kocioł zaprojektowano w całkowitej zgodności z odpowiednimi normami europejskimi i wyposażono w następujące elementy:

• Termostat zabezpieczający

Dzięki czujnikowi umieszczonemu w przewodzie zasilania c.o., termostat odcina dopływ gazu do palnika w razie przegrzania wody w obiegu pierwotnym.



Wyłączenie tego urządzenia zabezpieczającego jest zabronione

• Czujnik spalin NTC

To urządzenie znajduje się w wymienniku spaliny-woda. Sterowanie elektroniczne odcina dopływ gazu do palnika w przypadku przegrzania.



Wyłączenie tego urządzenia zabezpieczającego jest zabronione

• Jonizacyjny detektor płomienia

Elektroda czujnikowa płomienia zapewnia bezpieczeństwo pracy w przypadku braku gazu lub niepełnego zapłonu głównego palnika. W tych warunkach, kocioł zostaje zablokowany.

• Presostat wody

To urządzenie pozwala na zapalenie głównego palnika tylko wtedy, gdy ciśnienie w instalacji jest wyższe niż 0,5 bar.

• Wybieg pompy

Funkcja wybiegu elektronicznie sterowanej pompy trwa 3 minuty, i jest aktywna, w trybie c.o., gdy termostat pokojowy powoduje wyłączenie głównego palnika.

• Urządzenie ochrony przeciwzamarzaniowej

Elektroniczny układ sterowania kotła posiada funkcję "ochrona przed zamarznięciem" instalacji ogrzewania i c.w.u. Gdy temperatura zasilania spadnie poniżej 5°C, funkcja ta załącza palnik, aż temperatura zasilania osiągnie 30°C. Funkcja może być aktywna gdy kocioł jest załączony, zasilanie gazem jest otwarte i w instalacji jest prawidłowe ciśnienie.

• Funkcja zapobiegająca blokowaniu się pompy

Jeżeli przez kolejne 24 godziny nie zgłoszono zapotrzebowania na ciepło w trybie c.o. i/lub c.w.u., pompa automatycznie uruchomi się i będzie pracować przez 10 sekund.

• Funkcja zapobiegająca blokowaniu się zaworu 3-drogowego

Jeżeli w ciągu doby nie zgłoszono zapotrzebowania na ciepło, zawór 3-drogowy wykonuje kompletny cykl przełączania.

• Hydrauliczny zawór bezpieczeństwa (obieg c.o.)

To urządzenie jest nastawione na 3 bar i jest wykorzystywane w obiegu c.o.. Podłączyć zawór bezpieczeństwa do syfonu. Nie używać go do opróżniania obiegu grzewczego.

• Wstępna praca pompy c.o.

W przypadku wystąpienia zapotrzebowania na ciepło w trybie c.o. pompa może pracować wstępnie, przed zapłonem palnika. Faza pracy wstępnej trwa od paru sekund do paru minut, zależnie od temperatury roboczej i warunków instalacji.

17. CHARAKTERYSTYKA NATĘŻENIA PRZEPŁYWU/WYSOKOŚCI CIŚNIENIA

Stosowana jest pompa o dużej wysokości ciśnienia statycznego, odpowiednia dla każdego typu instalacji c.o. jedno- lub dwuprzewodowej. Zamontowany w pompie automatyczny zawór odpowietrzający umożliwi szybkie odpowietrzenie instalacji grzewczej.

OZNACZENIA NA WYKRESACH POMPY - "SECTION" E

Q	NATĘŻENIE PRZEPŁYWU WODY	MIN	Minimalna prędkość modulacji
H	WYSOKOŚĆ TŁOCZENIA	MAX	Maksymalna prędkość modulacji

18.KONSERWACJA COROCZNA



Poczekać na ochłodzenie komory spalania i wszystkich przewodów.



Przed przystąpieniem do wykonywania wszelkiego typu interwencji, upewnić się czy kocioł nie jest podłączony do napięcia elektrycznego. Na zakończenie operacji konserwacyjnych ponownie ustawić, jeżeli zostały wcześniej zmienione, początkowe parametry robocze.



Czyszczenie urządzenia nie może być wykonane za pomocą płynów ściernych i/lub łatwopalnych (jak na przykład benzyna, aceton itp.)

Dla optymalizacji sprawności kotła, należy raz w roku wykonać następujące kontrole:

- Sprawdzić wygląd i szczelność uszczelek w obwodach gazu i spalin. Wymienić zużyte uszczelki na nowe i oryginalne części zamienne;
- Sprawdzić stan i prawidłowe położenie elektrody zapłonowej i jonizacyjnej;
- Sprawdzić stan palnika i upewnić się, że jest mocno osadzony;
- Sprawdzić, czy nie ma zanieczyszczeń w komorze spalania. Użyć odkurzacza;
- Sprawdzić ciśnienie w instalacji c.o.;
- Sprawdzić ciśnienie w naczyniu wzbiorczym;
- Sprawdzić, czy wentylator działa prawidłowo;
- Upewnić się, że przewody powietrzne i spalinowe nie są zatkane;
- Sprawdzić, czy nie ma zanieczyszczeń w syfonie (w kotłach kondensacyjnych);
- Sprawdzić, czy jest obecna elektroda magnezowa, w kotłach wyposażonych w podgrzewacze pojemnościowe.



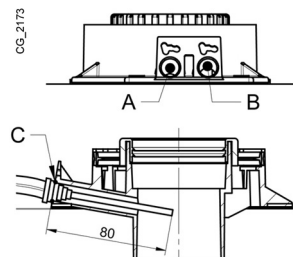
Przy opróżnianiu i czyszczeniu syfonu należy pamiętać, aby nie używać korka serwisowego znajdującego się na dnie syfonu. Ściągnąć syfon z kotła i wyczyścić go strumieniem powietrza. Napęlić syfon czystą wodą i z powrotem włożyć go na swoje miejsce i dopilnować, aby zostały prawidłowo wykonane wszystkie połączenia.

18.1 PARAMETRY SPALANIA

Odnosnie pomiarów sprawności cieplnej urządzenia oraz zanieczyszczeń w produktach spalania, kocioł jest wyposażony w dwa gniazda, które służą do tego celu. Jedno jest podłączone do obiegu odprowadzającego spaliny (A) i służy do mierzenia poziomu zanieczyszczeń produktów spalania i sprawności spalania. Drugie jest podłączone do obiegu zasysającego powietrze do spalania (B) i służy do sprawdzania, czy nie następuje ewentualna recyrkulacja produktów spalania, jeśli zastosowano przewody wspólnosiowe. W gnieździe podłączonym do obiegu spalin można odczytać następujące parametry:

- temperatura produktów spalania;
- stężenie tlenu (O_2) lub alternatywnie dwutlenku węgla (CO_2);
- stężenie tlenku węgla (CO).

Temperatura powietrza spalania odczytywana jest w gnieździe podłączonym do obiegu zasysającego powietrze (B), wkładając sondę pomiarową na około 8 cm (C).



W celu uaktywnienia funkcji "KOMINIARZA" odnieść się do rozdziału 12.3.

18.2 ZESPÓŁ WODNY

W rejonach, gdzie twardość wody jest wyższa niż 20 °F (1 °F = 10 mg węgla wapnia na litr wody), zainstalować dozownik polifosfatu lub równoważny system uzdatniania, zgodny z obowiązującymi przepisami.

SYMBOLE - "SECTION" F

A	Śruba mocująca wymiennika wody użytkowej
B	Czujnik przepływu c.w.u. z filtrem
C	Kurek spustowy kotła / instalacji (C-1 & C-2: dostęp do kurka C - dolna część kotła)
D	Kurek wlewowy kotła / instalacji
E	Sonda temperatury NTC wody użytkowej
F	Czujnik ciśnienia wody obwodu grzewczego

18.2.1 CZYSZCZENIE FILTRA ZIMNEJ WODY

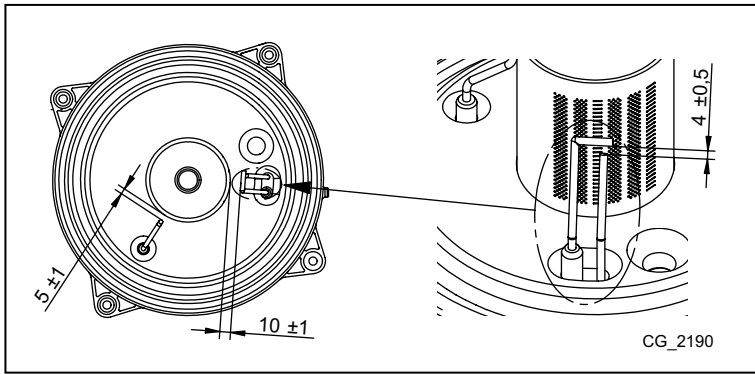
Kocioł może być wyposażony w filtr zimnej wody umieszczony na zespole hydraulicznym (B). W celu wyczyszczenia postępować w następujący sposób:

- Opróżnić wodę zawartą w obwodzie wody użytkowej.
- Odkręcić nakrętkę znajdującą się na zespole czujnika wody użytkowej
- Wyciągnąć z oprawy czujnik z właściwym filtrem.
- Usunąć ewentualnie występujące zanieczyszczenia.



Przy wymianie i/lub czyszczeniu pierścieni uszczelniających (O-ringi) w zespole wodnym, używać tylko smaru Molykote 111, a nie oleju czy smaru stałego.

18.3 UMIESZCZENIE ELEKTROD



18.4 WYMIANA CZĘŚCI

Jeżeli wymieniany jest jeden lub więcej z poniższych elementów:

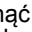
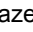

- Wymiennik, woda-spaliny
- Wentylator
- Zawór gazowy
- Dysza gazu
- Palnik
- Elektroda jonizacyjna

wykonać opisaną poniżej automatyczną procedurę kalibrowania, a następnie sprawdzić wartość % CO₂, jak wskazano w rozdziale "FUNKCJA REGULACJI SPALANIA (CO₂ %)".





W trakcie wykonywania prac przy kotle sprawdzić stan i położenie elektrody jonizacyjnej i ewentualnie ją wymienić.



FUNKCJA AUTOMATYCZNEGO KALIBROWANIA

Nacisnąć razem  i  i przytrzymać przez co najmniej 6 sekund. Gdy na ekranie pojawi się "On" (zał.) nacisnąć  (w ciągu 3 sekund po naciśnięciu poprzednich przycisków).




Jeżeli ekran wyświetla "303", funkcja automatycznej kalibracji nie została uaktywniona. Odłączyć kocioł od zasilania elektrycznego na parę sekund i powtórzyć procedurę.

Gdy funkcja jest dozwolona, na ekranie migają symbole  i .

Po wykonaniu sekwencji zapłonu, co może również nastąpić po paru próbach, kocioł wykonuje trzy operacje (trwające każda po ok. 1 min.) przechodząc najpierw do mocy maksymalnej, następnie do mocy zapłonu i na koniec do mocy minimalnej. Przed przejściem do następnej fazy (od mocy maksymalnej do mocy zapłonu i następnie do mocy minimalnej), na ekranie pojawiają się symbole  i . Podczas tej fazy na ekranie wyświetla się naprzemiennie poziom mocy osiągniętej przez kocioł i temperatura zasilania.

Gdy  i  migają razem na ekranie, oznacza to, że funkcja kalibrowania została zakończona.

Nacisnąć  aby opuścić funkcję. Na ekranie wyświetla się **ESC**.

19. DEMONTAŻ, LIKWIDACJA I RECYKLING



Tylko wykwalifikowani technicy są upoważnieni do interweniowania na urządzeniu i instalacji.

Przed przystąpieniem do rozmontowania urządzenia, dopilnować i sprawdzić odłączenie zasilania elektrycznego, zamknięcie kurka wlotu gazu oraz bezpiecznego pozostawienia wszystkich połączeń kotła i instalacji.

Urządzenie musi być zlikwidowane według obowiązujących normatyw, przepisów i rozporządzeń. Urządzenie i jego dodatkowe wyposażenie nie mogą być zlikwidowane jako odpady komunalne.

Ponad 90% materiałów urządzenia nadaje się do recyklingu.

20.CHARAKTERYSTYKA TECHNICZNA

Model: MPX		24 COMPACT	20/24 MI COMPACT	24/28 MI COMPACT	28/33 MI COMPACT
Kategoria		II2ELw3P			
Używany gaz	-	G20 - G27 - G31			
Znamionowe obciążenie cieplne dla obiegu c.w.u.	kW	-	24,7	28,9	34,0
Znamionowe obciążenie cieplne dla obiegu c.o.	kW	24,7	20,6	24,7	28,9
Minimalne obciążenie cieplne	kW	3,5	3,5	3,9	4,8
Znamionowa moc cieplna dla obiegu c.w.u.	kW	-	24,0	28,0	33,0
Znamionowa moc cieplna 80/60°C	kW	24,0	20,0	24,0	28,0
Znamionowa moc cieplna 50/30 °C	kW	26,1	21,8	26,1	30,6
Minimalna moc cieplna 80/60 °C	kW	3,4	3,4	3,8	4,7
Minimalna moc cieplna 50/30 °C	kW	3,7	3,7	4,1	5,1
Sprawność znamionowa 50/30 °C	%	105,7	105,8	105,8	105,8
Sprawność 30% Pn	%	108,8	108,8	108,8	108,9
Maksymalne ciśnienie wody w obiegu c.o.	bar	3,0			
Minimalne ciśnienie wody w obiegu c.o.	bar	0,5			
Pojemność wodna naczynia zbiorczego	l	7			
Minimalne ciśnienie naczynia zbiorczego	bar	0,8			
Maksymalne ciśnienie wody w obiegu c.w.u.	bar	-	8,0	8,0	8,0
Minimalne dynamiczne ciśnienie w obiegu c.w.u.	bar	-	0,15	0,15	0,15
Min. natężenie przepływu wody w obiegu c.w.u.	l/min	-	2,0	2,0	2,0
Produkcja c.w.u. przy $\Delta T = 25\text{ °C}$	l/min	-	13,8	16,1	18,9
Produkcja c.w.u. przy $\Delta T = 35\text{ °C}$	l/min	-	9,8	11,5	13,5
Wydajność początkowa "D" (EN 13203-1)	l/min	-	11,5	13,4	15,8
Zakres temperatur w obiegu c.o./c.w.u.	°C	25+80 / 35+60			
Typologia spalin	-	C13(x) - C33(x) - C43(x) - C43P - C53(x) C63(x) - C83(x) - C93(x) - B23 - B23P			
Średnica koncentrycznego przewodu spalinowego	mm	60/100			
Średnica oddzielnych wylotów	mm	80/80			
Maksymalne natężenie przepływu spalin	kg/s	0,0012	0,012	0,014	0,016
Minimalne natężenie przepływu spalin	kg/s	0,002	0,002	0,002	0,002
Maksymalna temperatura spalin	°C	80			
Klasa NOx	-	6			
Ciśnienie zasilania gazem ziemnym 2ELw (G20/G27)	mbar	20			
Ciśnienie zasilania propanem 3P (G31)	mbar	37			
Napięcie/Częstotliwość zasilania elektrycznego	V/Hz	230 / 50			
Moc znamionowa	W	85	85	99	106
Ciężar netto	kg	30	34	34	35
Wymiary (wys. x szer. x głęb.)	mm	700 / 400 / 299			
Ochrona przeciwwilgociowa (EN 60529)	-	IPX5D			
Certyfikatu CE	n°	0085CL0214			

ZUŻYCIE PRZY OBCIĄŻENIU CIEPLNYM Qmax i Qmin

Qmax (G20) - 2E	m³/h	2,61	2,61	3,06	3,60
Qmin (G20) - 2E	m³/h	0,37	0,37	0,41	0,51
Qmax (G27) - 2Lw	m³/h	3,19	3,19	3,73	4,39
Qmin (G27) - 2Lw	m³/h	0,45	0,45	0,50	0,62
Qmax (G31) - 3P	kg/h	1,92	1,92	2,25	2,64
Qmin (G31) - 3P	kg/h	0,27	0,27	0,30	0,37

Sekcja INSTALATORA (P1)

21.DANE TECHNICZNE

DE DIETRICH MPX			24 COMPACT	20/24 MI COMPACT	24/28 MI COMPACT	28/33 MI COMPACT
Kocioł kondensacyjny			Tak	Tak	Tak	Tak
Kocioł niskotemperaturowy ⁽¹⁾			Nie	Nie	Nie	Nie
Kocioł B1			Nie	Nie	Nie	Nie
Kogeneracyjny ogrzewacz pomieszczeń			Nie	Nie	Nie	Nie
Ogrzewacz wielofunkcyjny			Nie	Tak	Tak	Tak
Znamionowa moc cieplna	<i>Prated</i>	kW	24	20	24	28
Wytworzone ciepło użytkowe przy znamionowej mocy cieplnej i w reżimie wysokotemperaturowym ⁽²⁾	P_4	kW	24.0	20.0	24.0	28.0
Wytworzone ciepło użytkowe przy znamionowej mocy cieplnej na poziomie 30% i w reżimie niskotemperaturowym ⁽¹⁾	P_1	kW	8.0	6.7	8.0	9.4
Sezonowa efektywność energetyczna ogrzewania pomieszczeń	η_s	%	93	93	93	93
Sprawność użytkowa przy znamionowej mocy cieplnej i w reżimie wysokotemperaturowym ⁽²⁾	η_4	%	87.9	88.0	87.9	88.1
Sprawność użytkowa przy znamionowej mocy cieplnej na poziomie 30% i w reżimie niskotemperaturowym ⁽¹⁾	η_1	%	98.0	98.0	98.0	98.1
Zużycie energii elektrycznej na potrzeby własne						
Obciążenie pełne	<i>elmax</i>	kW	0.042	0.030	0.042	0.041
Obciążenie częściowe	<i>elmin</i>	kW	0.013	0.013	0.013	0.013
Tryb czuwania	P_{SB}	kW	0.003	0.003	0.003	0.003
Pozostałe parametry						
Straty ciepła w trybie czuwania	P_{stby}	kW	0.035	0.035	0.035	0.040
Pobór mocy palnika zapłonowego	P_{ign}	kW	0.000	0.000	0.000	0.000
Roczne zużycie energii	Q_{HE}	GJ	74	62	74	87
Poziom mocy akustycznej w pomieszczeniu	L_{WA}	dB	52	49	48	53
Emisje tlenków azotu	NO _x	mg/kWh	16	15	17	15
Parametry ciepłej wody użytkowej						
Deklarowany profil obciążeń				XL	XL	XXL
Dzienne zużycie energii elektrycznej	Q_{elec}	kWh		0.162	0.232	0.214
Roczne zużycie energii elektrycznej	AEC	kWh		36	51	47
Efektywność energetyczna podgrzewania wody	η_{wh}	%		88	86	87
Dzienne zużycie paliwa	Q_{fuel}	kWh		21.780	22.470	27.820
Roczne zużycie paliwa	AFC	GJ		17	17	22
<p>(1) Niska temperatura oznacza 30°C w przypadku kotłów kondensacyjnych i 37°C w przypadku kotłów niskotemperaturowych, a w przypadku innych ogrzewaczy oznacza temperaturę wody powrotnej 50°C (na wlocie ogrzewacza).</p> <p>(2) W reżimie wysokotemperaturowym temperatura wody powrotnej na wlocie ogrzewacza wynosi 60°C, a wody zasilającej na jego wylocie 80°C.</p>						


22.KARTA PRODUKTU

DE DIETRICH MPX		24 COMPACT	20/24 MI COMPACT	24/28 MI COMPACT	28/33 MI COMPACT
Ogrzewanie pomieszczeń - zastosowania dla temperatur		Średnia	Średnia	Średnia	Średnia
Podgrzewanie wody - deklarowany profil obciążeń			XL	XL	XXL
Klasa sezonowej efektywności energetycznej ogrzewania pomieszczeń		A	A	A	A
Klasa efektywności energetycznej podgrzewania wody			A	A	A
Znamionowa moc cieplna (<i>Prated lub Psup</i>)	kW	24	20	24	28
Ogrzewanie pomieszczeń - roczne zużycie energii	GJ	74	62	74	87
Podgrzewanie wody - roczne zużycie energii	kWh ⁽¹⁾ GJ ⁽²⁾		36 17	51 17	47 22
Sezonowa efektywność energetyczna ogrzewania pomieszczeń	%	93	93	93	93
Efektywność energetyczna podgrzewania wody	%		88	86	87
Poziom mocy akustycznej L _{WA} w pomieszczeniu	dB	52	49	48	53
(1) energii elektrycznej (2) paliwa					

Vážený zákazník,

naše společnost se domnívá, že náš nový výrobek uspokojí všechny Vaše požadavky. Koupě našeho výrobku je zárukou splnění všech Vašich očekávání: tzn. dobré fungování a jednoduché racionální použití.

Zádáme Vás, abyste tento návod neodkládal, ale naopak ho pozorně přečetl, obsahuje užitečné informace pro správnou a účinnou údržbu Vašeho výrobku.

Naše společnost prohlašuje, že tyto výrobky jsou osazeny označením  v souladu se základními požadavky následujících směrnic Evropského parlamentu a Rady:

- Směrnice **2009/142/ES** o spotřebičích plyných paliv (do 20 Duben 2018)
- Nařízení Komise (ES) **2016/426** o spotřebičích plyných paliv (od 21 Duben 2018)
- Směrnice **92/42/EHS** o požadavcích na účinnost nových teplovodních kotlů na kapalná nebo plyná paliva
- Směrnice o elektromagnetické kompatibilitě **2014/30/ES**
- Směrnice **2014/35/ES** týkající se elektrických zařízení určených pro používání v určitých mezích napětí
- Směrnice **2009/125/ES** ekodesign
- Nařízení Komise (ES) č. **2017/1369** (pro kotle s Výkonem < 70kW)
- Nařízení Komise (ES) č. **813/2013** o požadavcích na ekodesign ohříváčů pro vytápění vnitřních prostorů a kombinovaných ohříváčů
- Nařízení Komise (ES) č. **811/2013** o označování výrobků spojených se spotřebou energie energetickými štítky na internet (pro kotle s Výkonem < 70kW)



Naše společnost si z důvodu neustálého zlepšování svých výrobků vyhrazuje právo modifikovat kdykoli a bez předchozího upozornění údaje uvedené v této dokumentaci. Tato dokumentace má pouze informativní charakter a nesmí být použita jako smlouva ve vztahu k třetím osobám.

Zařízení mohou používat děti starší než 8 let a osoby s omezenými fyzickými, smyslovými nebo duševními schopnostmi, anebo nezkušené a neznalé osoby za předpokladu, že jsou pod dohledem anebo byly poučeny o bezpečném použití zařízení a pochopily nebezpečí, která vyplývají z jeho použití. Děti se nesmí se zařízením hrát. Čištění a údržbu, jejichž provádění musí zajišťovat uživatel, nesmí provádět děti bez dohledu.

OBSAH

POPIS SYMBOLŮ	45
BEZPEČNOSTNÍ POKYNY	45
VŠEOBECNÁ NASTAVENÍ	46
RADY JAK UŠETŘIT ENERGII	46
1. UVEDENÍ KOTLE DO PROVOZU	47
1.1 NASTAVENÍ TEPLoty NA VÝSTUPU VYTÁPĚNÍ A TUV	47
1.2 REŽIMY PROVOZU	47
2. DLOUHODOBÉ NEPOUŽÍVÁNÍ SYSTÉMU. PROTIZÁMRAZOVÁ OCHRANA ()	48
3. ZMĚNA PLYNU	48
4. PORUCHY	48
5. MENU INFORMACE O KOTLI	49
6. VYPNUTÍ KOTLE	49
7. NAPUŠTĚNÍ SYSTÉMU	49
8. POKYNY PRO ŘÁDNOU ÚDRŽBU	49
8.1 UPOZORNĚNÍ PŘED INSTALACÍ	50
9. INSTALACE KOTLE	50
9.1 PŘÍSLUŠENSTVÍ DODÁVANÉ S KOTLEM	50
9.2 ROZMĚRY KOTLE	50
10. INSTALACE POTRUBÍ ODTAHU SPALIN - SÁNÍ	51
10.1 KOAXIÁLNÍ POTRUBÍ	51
10.2 ODDĚLENÉ POTRUBÍ	52
11. ELEKTRICKÉ PŘÍPOJENÍ	53
11.1 PŘÍPOJENÍ PROSTOROVÉHO TERMOSTATU	53
11.2 PŘÍSLUŠENSTVÍ, KTERÉ NENÍ SOUČÁSTÍ DODÁVKY	53
12. SPECIÁLNÍ FUNKCE	54
12.1 UVEDENÍ DO PROVOZU	54
12.2 FUNKCE ODVZDUŠNĚNÍ SYSTÉMU	54
12.3 FUNKCE KOMINÍK	54
12.4 KONTROLA SPALOVACÁNÍ (CO ₂)	55
FUNKCE ÚPRAVA SPALOVÁNÍ (CO ₂ %)	55
13. PLYNOVÁ ARMATURA	55
13.1 ZPŮSOB ZMĚNY PLYNU	55
14. NASTAVENÍ PARAMETRŮ	56
14.1 REGULACE MAXIMÁLNÍHO VÝKONU TOPENÍ	57
15. ZJIŠŤOVÁNÍ A VYŘEŠENÍ ZÁVAD SERVICE	57
16. REGULAČNÍ A BEZPEČNOSTNÍ PRVKY	59
17. ÚDAJE O PRŮTOKU VODY/VÝTLAČNÉ VÝŠCE NA VÝSTUPU KOTLE	59
18. ROČNÍ ÚDRŽBA	60
18.1 PARAMETRY SPALOVÁNÍ	60
18.2 HYDRAULICKÁ SKUPINA	60
18.3 UMÍSTĚNÍ ELEKTROD	61
18.4 VÝMĚNA DÍLŮ	61
19. ODINSTALOVÁNÍ, LIKVIDACE A RECYKLACE	61
20. TECHNICKÉ ÚDAJE	62
21. TECHNICKÉ PARAMETRY	63
22. INFORMAČNÍ LIST VÝROBKU	64

Popis symbolů



UPOZORNĚNÍ

Riziko poškození nebo špatného provozu zařízení. Dbejte na upozornění na nebezpečí, která se týkají ohrožení osob.



NEBEZPEČNÍ POPÁLENÍ

Před zásahem na místech, která jsou vystavena teple, vyčkejte, dokud zařízení nezchladne .



NEBEZPEČÍ VYSOKÉHO NAPĚTÍ

Elektrické části pod proudem, nebezpečí elektrického proudu.



NEBEZPEČÍ POŽÁRU

Hořlavý materiál nebo plyn.



NEBEZPEČÍ MRAZU

Díky vysokým teplotám možná tvorba ledu.



DŮLEŽITÉ INFORMACE

Tyto informace je třeba důkladně pročíst, jsou nezbytné pro správný provoz kotle.



VŠEOBECNÝ ZÁKAZ

Je zakázáno provádět/používat viz popisek vedle symbolu.

BEZPEČNOSTNÍ POKYNY

JE CÍTIT PLYN

- Vypněte kotel.
- Nezapínejte žádná elektrická zařízení (např. světla).
- Uhaste případné volné plamínky a vyvětrejte.
- Kontaktujte autorizovaný servis.

JSOU CÍTIT SPALINY

- Vypněte kotel.
- Vyvětrejte v místnosti.
- Kontaktujte autorizovaný servis.

HOŘLAVÉ LÁTKY

Nepoužívejte/neskladujte v blízkosti kotle hořlavé látky (např. papír, ředidlo atd.).

ÚDRŽBA A ČIŠTĚNÍ KOTLE

Před jakýmkoliv zásahem vypojte kotel z elektrické sítě.



Části balení (igelitové sáčky, polystyrén atd.) nesmí být ponechány v dosahu dětí, jelikož mohou být případným zdrojem nebezpečí.



Zařízení není určeno osobám, jejichž fyzické, senzorické a mentální schopnosti jsou omezené nebo nemají dostatečné zkušenosti a znalosti. Výjimkou jsou případy, kdy mají u sebe zodpovědnou osobu, která zajistí dohled a jejich bezpečnost.

VŠEOBECNÁ NASTAVENÍ

Tento kotel slouží k ohřevu vody na teplotu nižší než je teplota varu při atmosférickém tlaku. V závislosti na provedení a výkonu musí být kotel připojen na systém vytápění a vybrané modely k rozvodné síti TUV. Před samotným připojením kotle, které musí být provedeno vyškoleným technikem, je nutno vykonat následující:

- Zkontrolujte, zda je kotel připraven pro provoz na používaný druh plynu. Tato informace je uvedena na obalu a na štítku, který je umístěn přímo na zařízení.
- Zkontrolujte, zda má komín dostatečný tah, zda nemá zúžení a nejsoutam vyvedena odkouření dalších zařízení. Kromě případů společných odtahů spalin realizovaných podle platných norem a předpisů.
- V případě využití starších odtahů zkontrolujte, zda jsou perfektně vyčištěny. Uvolnění případných usazenin během provozu by mohlo omezit průchod spalin.
- Aby mohl být zajištěn správný provoz a záruka na zařízení, je nezbytné dodržovat následující pokyny.

1. Okruh TUV

1.1 Pokud tvrdost vody překročí hodnotu 20 °F (1 °F = 10 mg uhličitanu vápenátého na litr vody) je povinná instalace dávkovače polyfosfátů nebo systému se stejným účinkem, který odpovídá platným normám.

1.2 Po instalaci kotle a před jeho spuštěním je nutné systém důkladně vyčistit.

1.3 Použití materiálů pro okruh TUV musí být v souladu se směrnicí 98/83/CE.

2. Okruh vytápění

2.1 Nový systém: Před instalací kotle musí být systém důkladně vyčištěn od zbytků nečistot po řezání závitů, svařování a případných zbytků ředidel a pájecích past. Pro čištění používejte vhodné prostředky do topných systémů běžně dostupné na trhu (např. Sentinel X100). Použití nevhodných - příliš kyselých nebo zásaditých - prostředků může poškodit použité materiály otopné soustavy (kovy, plasty a gumová těsnění). Při používání těchto výrobků vždy dodržujte instrukce.

2.2 Starší systém: Před instalací kotle musí být systém dokonale vyčištěn od kalu a kontaminovaných látek. Vhodné prostředky pro čištění: SENTINEL X300 nebo X400. Při používání těchto výrobků vždy dodržujte příložené instrukce. Připomínáme, že usazeniny v topném systému způsobují funkční problémy v provozu kotle (např. přehřívání a hlučnost výměníku)

Uvedení do provozu musí provést autorizovaný servis, který musí zkontrolovat:

- zda údaje na výrobním štítku odpovídají údajům napájecí sítě (elektrina, plyn, voda).
- zda je instalace v souladu s platnými normami,
- zda bylo řádně provedeno elektrické zapojení do sítě a uzemnění.



V případě nedodržení pokynů ztrácí platnost záruka na zařízení. Autorizovaná servisní střediska naleznete v příloženém seznamu. Nepoužívejte však ostré nástroje nebo drsné materiály, které by mohly poškodit lak.

RADY JAK UŠETŘIT ENERGII

Regulace topení

Přívodní teplotu kotle nastavte podle typu systému. Pro systémy s radiátory doporučujeme nastavit maximální přívodní teplotu vody topení na cca 60°C, a zvýšit uvedenou teplotu v případě, že nedojde k dosažení požadovaného teplotního komfortu prostředí. V případě systémů s podlahovými panely nepřekračujte teplotu předpokládanou jeho projektantem. Pro automatické přizpůsobení přívodní teploty podle atmosférických podmínek nebo vnitřní teploty doporučujeme použití vnější sondy a/nebo ovládacího panelu. Tímto způsobem nedojde k vyšší produkci tepla jako je ve skutečnosti zapotřebí. Nastavte teplotu prostředí tak, abyste nepřehřívali místnosti. Každý nadměrný stupeň s sebou přináší cca 6% zvýšení energetické spotřeby. Přizpůsobte teplotu prostředí i podle typu užití místností. Například ložnici nebo méně užívané pokoje můžete topit při nižší teplotě. Používejte časové programy a nastavte teplotu prostředí v noci na nižší teplotu jako je denní teplota přibližně o 5°C. Nižší teplota se nevyplácí ve smyslu energetické úspory. Pouze při dlouhodobé absenci, jako jsou kupříkladu prázdniny, snižte teplotu o více stupňů vzhledem na nastavenou hodnotu teploty. Nepřikrývejte radiátory, abyste nebránili správnému oběhu vzduchu. Nenechávejte přivřená okna kvůli větrání místností; naopak je na krátkou dobu otevřete.

Teplá užitková voda

Viditelnou úsporu získáte nastavením požadované teploty užitkové vody, přičemž se vyhýbejte jejímu míchání se studenou vodou. Každý další ohřev způsobuje plýtvání energií a větší tvorbu vodního kamene.

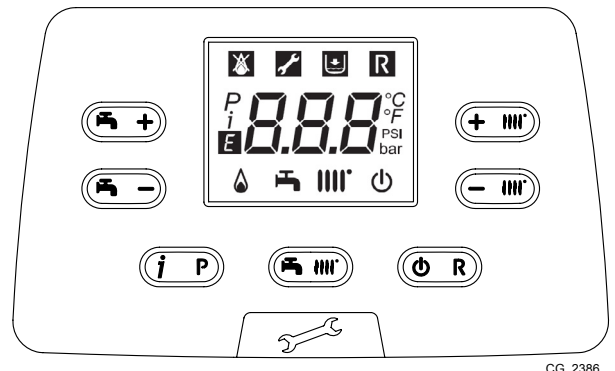
1. UVEDENÍ KOTLE DO PROVOZU

Pro správné uvedení kotle do provozu postupujte následovně:

- Zkontrolujte připojovací přetlak (kapitola 7);
- Zapojte kotel do elektrické sítě
- Otevřete plynový kohout (žlutá barva, umístěn pod kotlem);
- Zvolte požadovaný režim pro vytápění (kapitola 1.2).

Legenda TLAČÍTEK

	Nastavení teploty TUV (tlačítko + pro zvýšení teploty a tlačítko – pro snížení)
	Regulace nastavení teploty vytápění (tlačítko + pro zvýšení teploty a tlačítko – pro snížení)
	Informace o provozu kotle
	Režim provozu: TUV – TUV & Vytápění – Pouze Vytápění
	Vypnuto – Reset – Výstup z menu/funkce



CG_2386

Legenda SYMBOLŮ

	Vypnuto: vytápění a TUV neaktivní (je aktivní pouze protizámrazová ochrana kotle)		Zapnutý hořák
	Porucha, která zabraňuje zapálení hořáku		Aktivní režim provozu TUV
	Nízký tlak v kotli/systému		Aktivní režim provozu vytápění
	Požadavek na zásah autorizovaného servisu		Programovací menu
	Manuálně resetovatelná chyba, tlačítko		Informační menu
	Porucha	°C, °F, bar, PSI	Nastavené měrné jednotky (SI/US)

1.1 NASTAVENÍ TEPLoty NA VÝSTUPU VYTÁPĚNÍ A TUV

Nastavení teploty na výstupu topení a TUV (v případě externího zásobníku) se provádí pomocí tlačítek a . Zapálení hořáku je na displeji zobrazeno symbolem .

VYTÁPĚNÍ: během provozu kotle pro okruh vytápění jsou na displeji střídavě zobrazeny symbol a teplota na výstupu do topení (°C).

V případě instalace vnější sondy se pomocí tlačítek nepřímě nastavuje teplota v místnosti (tovární hodnota 20°C - viz kapitola 11.2.1).

TUV: Během provozu kotle pro TUV je na displeji zobrazen symbol a teplota primárního okruhu kotle (°C).

1.2 REŽIMY PROVOZU

ZOBRAZENÝ SYMBOL	PROVOZNÍ REŽIM
	TUV
	TUV & VYTÁPĚNÍ
	POUZE VYTÁPĚNÍ

Provoz zařízení v režimu **TUV - Vytápění** nebo **Pouze vytápění** aktivujete opakovaným stisknutím tlačítka a výběrem jednoho ze tří možných režimů.

Chcete-li zachovat aktivní pouze protizámrazovou ochranu, stiskněte alespoň na 3 vteřiny tlačítko , na displeji se zobrazí symbol (pokud je kotel zablokovaný, bliká podsvícení displeje).

Část UŽIVATEL (CS)

2. DLOUHODOBÉ NEPOUŽÍVÁNÍ SYSTÉMU. PROTIZÁMRAZOVÁ OCHRANA

POkud možno nevypouštějte vodu z celého systému vytápění, protože častá výměna vody způsobuje zbytečné a škodlivé usazování vodního kamene uvnitř kotle a topných těles. V případě, že nebudete topný systém během zimy používat a v případě nebezpečí mrazu, doporučujeme smíchat vodu v systému s vhodnými nemrznoucími směsmi určenými k tomuto účelu (např. polypropylénový glykol splu s prostředky zabraňujícími usazování kotelního kamene a korozi). Elektronické ovládání kotle je opatřeno funkcí proti zamrznutí v okruhu vytápění, která se aktivuje, když je teplota vody přiváděné do systému nižší než 5 °C. Tato funkce uvede do provozu hořák, který pracuje až do doby, kdy teplota přiváděné vody dosáhne hodnotu 30 °C.



Tato funkce je aktivní, pokud je kotel elektricky napájen, je připojen plyn, v systému je předepsaný tlak a kotel není zablokovaný.

3. ZMĚNA PLYNU

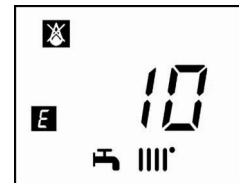
Kotle mohou pracovat jak na zemní plyn (G20), tak na LPG (G31). Pokud je nutná změna, obraťte se na autorizovaný technický servis.

4. PORUCHY

Poruchy na displeji jsou označeny symbolem **E** a číslem (kód poruchy). V následující tabulce naleznete seznam poruch.

Pokud se na displeji zobrazí symbol **R** uživatel musí poruchu resetovat.

Pro restartování kotle stiskněte tlačítko **OK/R**. Pokud se některá chyba opakuje často, kontaktujte autorizovaný servis.



E	Popis závady	Zásah
09	Chyba připojení plynového ventilu	Kontaktujte autorizovaný technický servis.
10	Závada senzoru vnější sondy	Kontaktujte autorizovaný technický servis.
12	Nedošlo k přepnutí diferenciálního hydraulického snímače tlaku	Kontaktujte autorizovaný technický servis.
13	Slepené kontakty diferenciálního hydraulického snímače tlaku	Kontaktujte autorizovaný technický servis.
15	Chyba ovladače plynového ventilu	Kontaktujte autorizovaný technický servis.
18	Probíhá automatické plnění hydraulického obvodu	Počkejte na dokončení cyklu naplnění
19	Závada ve fázi plnění systému	Stiskněte nejméně na 2 sekundy tlačítko R
20	Závada přívodního snímače NTC	Kontaktujte autorizovaný technický servis.
28	Závada snímače NTC na zjištění spalin	Kontaktujte autorizovaný technický servis.
40	Závada vratného snímače NTC	Kontaktujte autorizovaný technický servis.
50	Závada čidla NTC TV (pouze pro model s topením pomocí bojleru)	Kontaktujte autorizovaný technický servis.
53	Potrubí spalin ucpané	Odpojte elektrické napájení kotle na několik sekund. V případě, že závada přetrvává, kontaktujte autorizovaný technický servis
55	Elektronická karta nebyla nastavena	Kontaktujte autorizovaný technický servis.
83...87	Problém komunikace mezi kartou kotle a řídicí jednotkou. Pravděpodobně došlo ke zkratu na kabelování.	Kontaktujte autorizovaný technický servis.
92	Závada spalin během fáze kalibrace (možná recirkulace spalin)	Kontaktujte autorizovaný technický servis.
109	Výskyt vzduchu v okruhu kotle (přechodná závada)	Kontaktujte autorizovaný technický servis.
110	Zákrok bezpečnostního termostatu z důvodu přehřátí (pravděpodobně zablokování čerpadla anebo výskyt vzduchu v topném okruhu).	Stiskněte nejméně na 2 sekundy tlačítko R
117	Příliš vysoký tlak hydraulického okruhu (> 2,7 bar)	Kontaktujte autorizovaný technický servis.
118	Příliš nízký tlak hydraulického okruhu	Ověřte, že tlak v systému odpovídá předepsanému tlaku. Viz odstavec NAPLNĚNÍ SYSTÉMU.
125	Bezpečnostní zákrok způsobený absencí oběhu. (kontrola pomocí teplotního snímače)	Stiskněte nejméně na 2 sekundy tlačítko R
128	Neexistuje plamen	Stiskněte nejméně na 2 sekundy tlačítko R
129	Ztráta plamene při zapnutí	Kontaktujte autorizovaný technický servis.
130	Zákrok sondy NTC na zjištění spalin z důvodu přehřátí	Stiskněte nejméně na 2 sekundy tlačítko R
133	Nedošlo ke spuštění (5 pokusy)	Stiskněte nejméně na 2 sekundy tlačítko R

134	Plynový ventil zablokovaný	Stiskněte nejméně na 2 sekundy tlačítko R	
135	Vnitřní chyba karty	Stiskněte nejméně na 2 sekundy tlačítko R	
154	Kontrolní test vstupního čidla/čidla zpátečky	Kontaktujte autorizovaný technický servis.	
160	Závada chodu ventilátoru	Kontaktujte autorizovaný technický servis.	
178	Zásah bezpečnostního termostatu kvůli přehřátí na systému s nízkou teplotou	Kontaktujte autorizovaný technický servis.	
317	162	Chyba frekvence elektrického napájení	Kontaktujte autorizovaný technický servis.
321	163	Závada čidla NTC TV	Kontaktujte autorizovaný technický servis.
384	164	Parazitní plamen (vnitřní závada)	Stiskněte nejméně na 2 sekundy tlačítko R
385	165	Příliš nízké napájecí napětí	Když napětí překročí hodnotu 175V, k obnově dojde automaticky. V případě, že závada přetrvává, kontaktujte autorizovaný technický servis.



Pokud dojde k poruše, zapne se podsvícení displeje a je zobrazen kód poruchy. Je možné provést 5 pokusů o restart, poté se kotel zablokuje. Pro další pokus o restart vyčkejte 15 minut.

5. MENU INFORMACE O KOTLI

Pomocí tlačítka **i/P** zobrazíte informace uvedené v následující tabulce. Pro ukončení stiskněte tlačítko **OK**.

i	POPIS	i	POPIS
00	Interní sekundární kód poruchy	06	Teplota zpátečky topení (°C)
01	Teplota na vstupu do topení (°C)	07	Teplota sondy spalín (°C)
02	Vnější teplota (°C)	08	Teplota primárního výměníku (°C)
03	Teplota vody v externím zásobníku (modely na vytápění)	09 - 13	Informace výrobce
04	Teplota TUV (modely s deskovým výměníkem)	14	Identifikace komunikace Open Therm
05	Tlak v topném systému (bar)	15 - 18	Informace výrobce

6. VYPNUTÍ KOTLE

Chcete-li kotel vypnout, přerušte přívod elektrického proudu do kotle. V režimu "Vypnuto - protizámrazová ochrana" **⏻** zůstane kotel vypnutý, ale elektrické obvody kotle zůstávají pod elektrickým proudem a je aktivní protizámrazová ochrana.

7. NAPUŠTĚNÍ SYSTÉMU

Je třeba pravidelně kontrolovat tlak na tlakoměru **B**, aby byl při studeném systému 1 - 1,5 bar. V případě podtlaku zasáhněte pomocí napouštěcího ventilu "A" viz obr.

A	Napouštěcí ventil kotle/ systému
B	Manometr



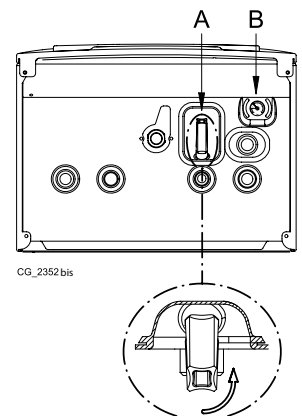
Doporučujeme provést fázi napouštění topného systému velmi pečlivě. Uvolněte všechny termostatické hlavice umístěné v systému, nechte pomalu natéct vodu, aby se do primárního výměníku nedostal vzduch, až je dosažen potřebný tlak pro provoz. Nakonec odvzdušněte radiátory. De Dietrich nepřebírá žádnou zodpovědnost za škody způsobené vzduchem, který zůstal v primárním výměníku díky nedržení výše uvedených pokynů.



Kotel je vybaven tlakovým spínačem, který v případě nedostatku vody zabrání chodu kotle.



Pokud by docházelo k častému poklesu tlaku, kontaktujte autorizovaný technický servis.



8. POKYNY PRO ŘÁDNOU ÚDRŽBU

Aby byl zaručen bezchybný provoz a bezpečnost kotle, je nezbytné na konci každé sezóny zajistit prohlídku autorizovaným technickým servisem.

Pečlivá údržba kotle umožňuje také úsporu nákladů na provoz celého systému.

UPOZORNĚNÍ PŘED INSTALACÍ

Následující pokyny a poznámky jsou určeny pro instalátéry, kterým umožní bezchybnou instalaci. Pokyny týkající se spuštění a provozu kotle jsou obsaženy v té části návodu, která je určena uživateli. Připomínáme, že instalace, údržba a provoz plyných zařízení určených na provoz v domácnostech musí být zajištěny pracovníkem autorizovaného technického servisu v souladu s platnými nařízeními.

Kromě výše uvedeného je nutné dodržovat následující podmínky:

- V případě instalace zařízení do prostředí s teplotou pod 0°C přijměte vhodná opatření k zamezení tvorby ledu v sifonu a odvodu kondenzátu.
- Kotel může být používán s jakýmkoli typem konvektoru, radiátoru, či termokonvektoru s jedno či dvou trubkovým napájením. Úseky okruhu budou v každém případě vypočítány podle běžných metod na základě průtoku vody/výtlačné výšky na výstupu z kotle, který je uveden v odstavci 16.
- Části balení (igelitové sáčky, polystyrén atd.) nesmí být ponechány v dosahu dětí, jelikož mohou být případným zdrojem nebezpečí.
- První spuštění kotle musí vykonat pracovník autorizovaného technického servisu, který je uveden v příloze.

V případě, že výše uvedené nebude respektováno, ztrácí záruční list platnost.

UPOZORNĚNÍ - PŘÍDAVNÉ ČERPADLO

V případě, že budete chtít použít přídatné čerpadlo v systému vytápění, instalujte ho do vratného okruhu kotle. Je to z důvodu správného fungování tlakového spínače.

UPOZORNĚNÍ - SOLÁRNÍ SYSTÉM

V případě připojení kotle s průtokovým ohřevem (kombinovaného) k systému se solárními panely, teplota TUV na vstupu do kotle nesmí být vyšší než 60°C.



Části balení (igelitové sáčky, polystyrén atd.) nesmí být ponechány v dosahu dětí, jelikož mohou být případným zdrojem nebezpečí.

9. INSTALACE KOTLE

Obrázek šablony najdete na konci návodu v příloze „SECTION“ C.

Po stanovení přesného umístění kotle, upevněte na zeď šablonu. Při instalaci postupujte od připojení vody a plynu, které se nachází na spodní části šablony. Ujistěte se, že zadní část kotle je co nejvíce zarovnaná se zdí (v opačném případě vypodložte dolní část). Doporučujeme nainstalovat na topný okruh dva uzavírací ventily (přívodní a vratní) G3/4 dodávané na objednávku, které v případě důležitých zákroků umožňují manipulaci bez potřeby vypustit celý topný systém. V případě již existujících systémů nebo v případě výměn, doporučujeme kromě výše uvedeného instalovat na zpátečku a na spodní části kotle také vhodnou nádobu na zachycování usazenin a nečistot, které se mohou vyskytovat i po vyčištění a časem by se mohly dostat do oběhu. Po zavěšení kotle na zeď připojte vypouštěcí a sací potrubí dodané jako příslušenství, jak je uvedeno v následujících kapitolách. Připojte sifon na odpadovou šachtu, přičemž zachovejte stálý sklon. Vyhněte se horizontálním sklonům.



Nezvedejte zařízení tak, že budete vyvíjet sílu na plastové části jako je sifon nebo věžička spalin.



Pečlivě upevněte hydraulické připojení kotle (max. silou 30 Nm).



Před uvedením kotle do provozu naplňte sifon vodou, abyste zamezili rozšíření spalin v pokoji.

9.1 PŘÍSLUŠENSTVÍ DODÁVANÉ S KOTLEM

- Šablona (viz obrázek v příloze "SECTION" C)
- Příčný nosník na podporu kotle
- 8 mm hmoždinky a tlakové šrouby
- Hadice pro odvod kondenzátu

PŘÍSLUŠENSTVÍ dodávané na objednávku:

- Ventily náběhu/návratu topení, ventil vstupu vody a teleskopické spoje
- Plynový ventil

9.2 ROZMĚRY KOTLE

Rozměry kotle a příslušné instalační výšky vodovodních přípojek jsou uvedené na konci návodu v příloze „SECTION“ C.

A	Odvod kondenzátu	D	Vstup plynu
B	Výstup do okruhu vytápění	E	Vstup studené UV / Napouštění systému
C	Výstup do okruhu TUV (G1/2") / zásobník (G3/4")	F	Zpátečka topení

10. INSTALACE POTRUBÍ ODTAHU SPALIN - SÁNÍ

Instalace kotle je snadná a jednoduchá díky dodávanému příslušenství, jehož popis následuje. Kotel je z výroby připraven na připojení koaxiálního potrubí odtahu spalin a sání, vertikálního nebo horizontálního typu. V případě děleného odkouření se používá sada pro dělené odkouření.

UPOZORNĚNÍ

C13, C33 Výstupní otvory vyústěných samostatných potrubí pro přivádění spalovacího vzduchu a pro odvádění spalin musí být umístěny uvnitř čtverce o straně 50 cm. Podrobné informace naleznete u jednotlivých částí příslušenství.

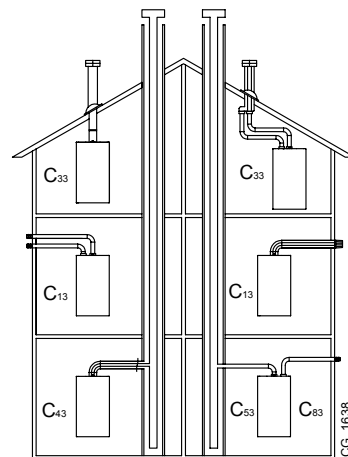
C53 Koncovky potrubí pro přivádění spalovacího vzduchu a pro odvádění spalin nesmí být umístěny na protilehlých stěnách budovy.

C63 Maximální tlaková ztráta nesmí překročit hodnotu **100 Pa**. Vedení musí být certifikováno pro specifické použití a pro teplotu vyšší než 100°C. Kotel může být instalován pouze se zařízením proti působení větru, které je certifikováno podle normy 1856-1.

C43, C83 Komín nebo kouřovod musí být schváleny k používání.



Pro zaručení vyšší bezpečnosti provozu je nutné, aby byli výfuky spalin dobře upevněné ke zdi pomocí příslušných upevňovacích svorek. Upevňovací svorky musí být umístěné ve vzdálenosti cca 1 metr jedna od druhé v blízkosti spojů.

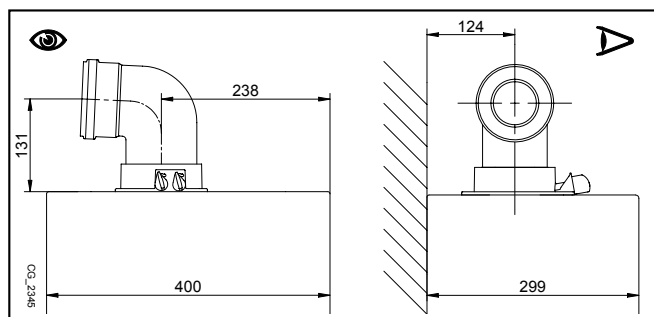


Pozorně si přečtete pokyny potrubí obsažené v tomto návodě a pokyny dodané s příslušenstvím. V případě rozdílů musí být dodrženy pokyny potrubí tohoto návodu.

10.1 KOAXIÁLNÍ POTRUBÍ

Tento typ odkouření umožňuje odtah spalin a sání spalovacího vzduchu jak vně budovy, tak v kouřovodu typu LAS. Koaxiální koleno 90° umožňuje připojit kotel k potrubí odtahu spalin - sání jakéhokoli směru díky možnosti rotace o 360°. Toto koleno může být používáno také jako přidavné koleno potrubí odtahu spalin, potrubí sání nebo s kolenem 45°.

V případě, že je potrubí odtahu spalin a sání vedeno vně budovy, musí vystupovat ze zdi alespoň 18 mm, aby bylo možné umístit rúžici a utěsnit ji proti prosakování vody.



- Při vložení kolena 90° se zkracuje celková délka vedení odtahu spalin a sání o 1 metr.
- Při vložení kolena 45° se zkracuje celková délka vedení odtahu spalin a sání o 0,5 metru.
- První koleno 90° se nezapočítává do maximální možné délky.

Upevněte sací trubky pomocí dvou zinkovaných závitořezných šroubů o \varnothing 4,2 mm s maximální délkou 19 mm. V případě, že šrouby nejsou součástí dodávky, musíte si je zakoupit v obchodě v souladu s uvedenými parametry.



Před upevněním šroubů se ujistěte, že potrubí je vloženo do těsnění v délce nejméně 45 mm od konce (viz obrázek na konci návodu v příloze „SECTION“ D).



Je nutné dodržet minimální spádování vedení odtahu spalin směrem ke kotli, musí být 5 cm na metr délky.



NĚKTERÉ PŘÍKLADY INSTALACE ODTAHOVÝCH POTRUBÍ A PŘÍSLUŠNÉ POVOLENÉ DÉLKY NAJDETE NA KONCI NÁVODU V PŘÍLOZE „SECTION“ D.

10.1.1 TYPOLOGIE VÝFUKU C43P

Kolektivní kouřovod s kladným tlakem pro kotly s uzavřenou spalovací komorou

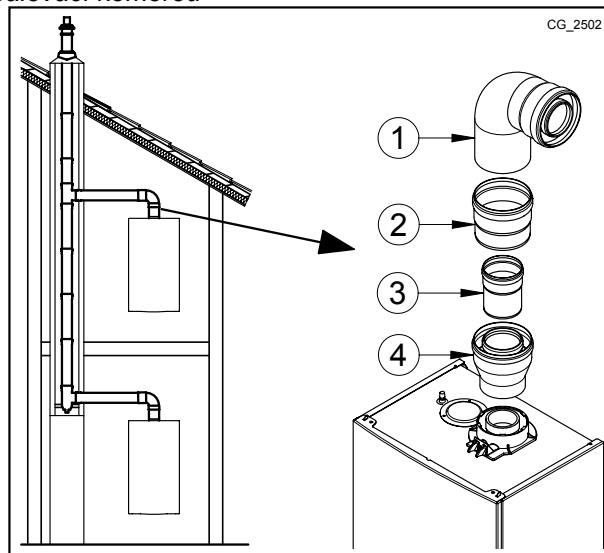


Tento typ instalace lze použít pouze u kotlů provozovaných se zemním plynem (G20)

Pro připojení kotle ke kolektivnímu kouřovodu C43P je povinné přidat zpětnou klapku.
Nadimenzování kouřovodu je realizováno dodavatelem samotného potrubí v souladu s normou EN 13384-2.

1	Koleno 90° Ø 80/125 mm
2	Potrubí Ø 80/125 mm
3	Zpětná klapka Ø 80 mm
4	Adaptér Ø 60/100 -> 80/125 mm

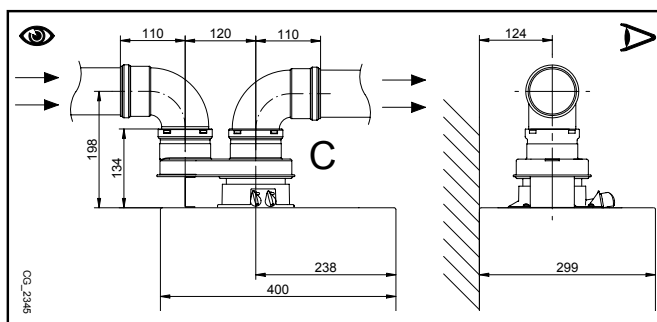
Pro tento typ instalace je nezbytné upravit parametry P71 a P72 elektronické desky, jak je to uvedeno v tabulce (viz také pokyny SERVICE).
Po úpravě parametrů je nutné provést kalibraci kotle v souladu s popisem v návodě SERVICE.



Model	P72 Qmin - Tlak v komině 25 Pa	P71 Qmax - Tlak v komině 86 Pa
MPX 24 - MPX 20/24 MI	85	130
MPX 24/28 MI	85	185
MPX 28/33 MI	85	180

10.2 ODDĚLENÉ POTRUBÍ

Pro speciální instalace vedení odtahu spalin a sání lze použít rozdělovací kus (příslušenství na objednávku (C)). Tento prvek umožňuje orientovat výfuk spalin i sání jakýmkoliv směrem, a to díky možnosti rotace o 360°. Tento typ umožňuje vedení odtahu spalin a sání jak vně budovy, tak přes jednotlivé kouřovody. Sání spalovacího vzduchu může být prováděno v jiném místě, než je vyústění odtahu spalin. Rozdělovací kus je umístěn na hrdle kotle (100/60 mm) a umožňuje spalovacímu vzduchu a spalinám vstupovat/vystupovat přes dvě oddělená vedení (80 mm). Bližší informace neleznete v návodu u příslušenství.
Koleno o 90° umožňuje připojit kotel k potrubí odtahu spalin – sání tak, že ho přizpůsobíte jakýmkoliv požadavkům. Toto koleno můžete použít i jako přidavné koleno potrubí odtahu spalin, potrubí sání nebo s kolenem o 45°.



- Při použití kolena o 90° se zkracuje celková délka potrubí o 0,5 metr.
- Při použití kolena o 45° se zkracuje celková délka potrubí o 0,25 metr.
- První koleno 90° není zahrnuto do výpočtu maximální délky odkouření.



NĚKTERÉ PŘÍKLADY INSTALACE ODTAHOVÝCH POTRUBÍ A PŘÍSLUŠNÉ POVOLENÉ DÉLKY NAJDETE NA KONCI NÁVODU V PŘÍLOZE „SECTION“ D.

11. ELEKTRICKÉ PŘÍPOJENÍ

Elektrická bezpečnost přístroje je dosažena pouze v případě, že je kotel správně připojen na účinné uzemnění podle platných norem o bezpečnosti zařízení ČSN 332180. Kotel se připojuje do jednofázové elektrické napájecí sítě 230 V s uzemněním pomocí trojžilového kabelu, který je součástí vybavení kotle, přičemž je nutné dodržet polaritu Fáze - Nula.

Připojení provedte pomocí dvoupólového vypínače s otevřením kontaktů alespoň na 3 mm.

Pokud je třeba vyměnit napájecí kabel, použijte harmonizovaný kabel "HAR H05 VV-F" 3x0,75 mm² s maximálním průměrem 8 mm. Pojistky typu 2A jsou umístěny v napájecí svorkovnici (při kontrole a/nebo výměně vytáhněte černý držák pojistky).

Když odstraníte ochranný kryt, vyklopte ovládací krabici směrem dolů a dostanete se ke svorkovnicím **M1** a **M2**.



Ověřte, zda celková jmenovitá spotřeba příslušenství napojeného k zařízení není vyšší než 2A. Pokud přesahuje tuto hodnotu, je nezbytné vložit mezi příslušenství a elektronickou desku relé.



Svorkovnice M1 je vystavena vysokému napětí. Dřív než provedete připojení, ujistěte se, zda kotel není elektricky napájený.

SVORKOVNICE M1

(L) = Fáze (hnědá)

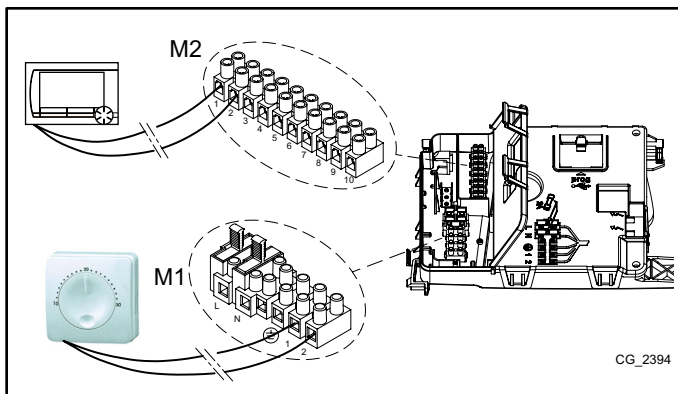
(N) = Nulák (modrá).

⊕ = Uzemnění (žluto-zelená).

(1) (2) = kontakt pro **Prostorový Termostat**.



Je nutné obnovit můstek na svorkách 1-2 svorkovnice M1 kotle v případě, že prostorový termostat nebude použitý nebo v případě nepřipojení vzdálené kontroly dodané jako příslušenství.



SVORKOVNICE M2

Svorky 1 - 2: zapojení Dálkového Ovládání (nízké napětí), příslušenství na objednávku.

Svorky 4 - 5 : zapojení Vnější sondy (příslušenství na objednávku)

Svorky 3-6-7-8: nepoužívají se. Svorky

Svorky 9-10: připojení sondy zásobníku TUV.



Pokud je zařízení připojeno na podlahový systém, instalatér musí zajistit instalaci bezpečnostního termostatu kvůli ochraně systému proti přehřívání.



Pro umístění připojovacích kabelů svorkovnic používejte příslušné otvory, které jsou ve spodní části kotle.

11.1 PŘÍPOJENÍ PROSTOROVÉHO TERMOSTATU



Připojení na svorkovnicích M1 jsou pod vysokým napětím (230 V). Před samotným zapojením zkontrolujte, zda zařízení není napájeno elektrickým proudem. Dodržujte polaritu v napájení L (FÁZE) - N (NULA).

Pro připojení prostorového termostatu do kotle postupujte následujícím způsobem:

- odpojte kotel z elektrické sítě;
- přistupte ke svorkovnici **M1**;
- sejměte můstek na konci kontaktů **1-2** a zapojte kabely Prostorového termostatu;
- zapojte kotel do elektrické sítě a ujistěte se, že prostorový termostat funguje správně.

11.2 PŘÍSLUŠENSTVÍ, KTERÉ NENÍ SOUČÁSTÍ DODÁVKY

11.2.1 VNĚJŠÍ SONDA

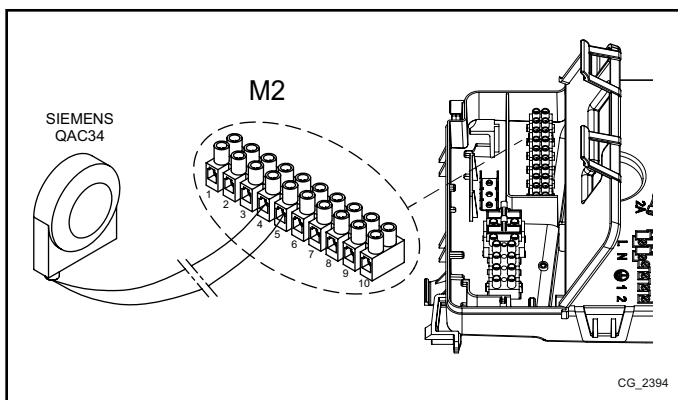
Pro zapojení tohoto příslušenství viz obr. vedle (svorky 4-5) a instrukce dodávané s vnější sondou.

NASTAVENÍ KLIMATICKÉ KŘIVKY "Kt"

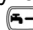

Když je vnější čidlo připojené na kotel, elektronická karta reguluje přívodní teplotu vypočítanou podle nastaveného koeficientu **Kt**. Zvolte si požadovanou křivku stisknutím tlačítek v souladu s tím, co je uvedeno na grafu v příloze **SECTION E** a vyberte si tu nejvhodnější (od 00 do 90).

LEGENDA GRAFŮ - „SECTION“ E

	Přívodní teplota		Vnější teplota
--	------------------	--	----------------



11.2.2 VNĚJŠÍ ZÁSOBNÍK




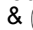


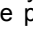
Kotel je elektricky připravený pro zapojení vnějšího bojleru. Hydraulické připojení vnějšího bojleru je znázorněno na obrázku v příloze „SECTION“ F. Zapojte čidlo NTC přednosti TUV ke svorkám 9-10 svorkovnice M2. Citlivý prvek čidla NTC musí být vložený do příslušné šachty na bojleru. Ověřte, že výměnný výkon hadu bojleru je správný vzhledem na výkon kotle. Teplotu užitkové vody (+35°C...+60°C) nastavíte působením na tlačítka  .


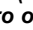



DŮLEŽITÉ UPOZORNĚNÍ: nastavte parametr P03 = 05, jak je uvedeno v kapitole 14.

12. SPECIÁLNÍ FUNKCE

12.1 UVEDENÍ DO PROVOZU

Během prvního spuštění kotle je nutné provést následující kroky. Když zapojíte kotel do elektrické sítě, na displeji se zobrazí kód "000", zařízení je připraveno na "první spuštění".


- Na 6 vteřin stiskněte současně tlačítka   na displeji se na 2 vteřiny zobrazí nápis "On" hned následuje kód "312" který oznamuje, že funkce "odvzdušnění systému" je aktivní. Tato funkce trvá 10 minut.
- Po ukončení funkce se kotel zapne, na displeji se zobrazí kód "000" střídavě s hodnotou % výkonu při zapálení a s teplotou (°C) na vstupu do topení. V této fázi "funkce určení plynu", která trvá asi 7 minut, je analyzován druh použitého plynu. Během této funkce zajistěte maximální tepelnou výměnu v systému vytápění a TUV (požadavek TUV), aby nedošlo k vypnutí kotle z důvodu přehřátí.
- Pokud je kotel v provozu na zemní plyn, na displeji se asi na 10 vteřin zobrazí NG. Kotel je nyní připraven na normální provoz. Pokud je na displeji zobrazeno LPG, stiskněte současně tlačítka  &  alespoň na 4 vteřiny pro ukončení bez změn v továrním nastavení.
- Pokud je kotel napájen propanem, na displeji se zobrazí LPG. Stiskněte alespoň na 6 vteřin tlačítka  pro potvrzení používaného plynu. Pokud je na displeji zobrazeno NG, protože nebyl identifikován používaný plyn, stiskněte současně tlačítka  &  alespoň na 4 vteřiny pro ukončení funkce, změňte parametr P02=01 viz popis v kapitole "NASTAVENÍ PARAMETRŮ" v návodu ke kotli.

 **Pokud dojde k přerušení funkce z důvodu odpojení z elektrické sítě, při obnovení je nutné opět aktivovat funkci současným stisknutím tlačítek  alespoň na 6 vteřin. Pokud se během funkce odvzdušnění na displeji zobrazí chyba E118 (nízký tlak v hydraulickém okruhu), pomocí napouštěcího ventilu dosáhněte požadovaný tlak. Pokud dojde k přerušení funkce nastavení plynu kvůli poruše (např. E133 nedostatek plynu) stiskněte tlačítka  pro restart, poté stiskněte současně tlačítka  (alespoň na 6 vteřin) pro opětovné aktivování funkce. Pokud dojde k přerušení funkce nastavení plynu kvůli přehřátí, je nutné funkci opět aktivovat současným stisknutím tlačítek  alespoň na 6 vteřin.**

Z výroby je spalování zařízení zkontrolováno a nastaveno na provoz na zemní plyn.

Během funkce Kontrola druhu plynu se poměr spalování na krátkou chvíli zvýší, mezitím dojde k určení typu plynu.





Během uvedení do provozu, dokud není odstraněn vzduch z plynových trubek, nemusí dojít k zapálení hořáku a kotel se následně zablokuje. V tomto případě doporučujeme zopakovat operaci prvního spuštění, dokud se plyn nedostane až k hořáku. Pro obnovení provozu kotle stiskněte tlačítka  alespoň na 2 vteřiny.



První spuštění hned po instalaci nemusí být ideální, systém vyžaduje čas pro optimalizaci

12.2 FUNKCE ODVZDUŠNĚNÍ SYSTÉMU



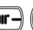

Tato funkce umožňuje usnadnění odstranění vzduchu z okruhu vytápění, když je kotel instalován do provozu a nebo když je během údržby vypuštěn primární okruh.

Pro aktivování funkce odvzdušnění systému stiskněte současně tlačítka   na 6 vteřin. Když je tato funkce aktivní, na displeji se zobrazí na několik vteřin nápis On, poté následuje programovací řádek 312.

Elektronická deska aktivuje cyklus zapálení/vypnutí čerpadla, který trvá 10 minut. Funkce se automaticky vypne na konci cyklu. Pro ruční ukončení této funkce stiskněte ještě jednou výše uvedená tlačítka současně na 6 vteřin.

12.3 FUNKCE KOMINÍK

Tato funkce přivede kotel na **maximální výkon** pro vytápění. Když je funkce aktivní, je možné nastavit úroveň % výkonu kotle od minimální po maximální výkon pro TUV. Postup je následující:

- Stiskněte současně tlačítka   alespoň na 6 vteřin. Je-li funkce aktivní, na displeji se na několik vteřin zobrazí nápis "On", dále se objeví programovací řádek "303" střídavě s hodnotou % výkonu kotle.
- Pomocí tlačítek   se provádí postupné nastavení výkonu (citlivost 1%).
- Pro ukončení stiskněte současně na 6 vteřin tlačítka, viz popis v prvním bodě.



Stisknutím tlačítka  lze na 15 vteřin zobrazit okamžitou hodnotu teploty na výstupu.

12.4 KONTROLA SPALOVACÁNÍ (CO₂)

Pro správný provoz kotle musí obsah (CO₂-O₂) ve spalinách splňovat hodnoty uvedené v následující tabulce. Pokud je naměřená hodnota (CO₂-O₂) jiná, zkontrolujte elektrody a jejich vzdálenost. Pokud je třeba, vyměňte elektrody a správně je umístěte. Pokud se tím problém nevyřeší, použijte následující funkci.

		G20		G31	
		CO ₂ %	O ₂ %	CO ₂ %	O ₂ %
Maximální výkon	Jmenovitá hodnota	8,7	5,4	10,0	6,0
	Povolená hodnota	8,2 - 9,3	6,3 - 4,3	9,5 - 10,5	6,8 - 5,2
Výkon zapnutí	Jmenovitá hodnota	8,7	5,4	10,8	4,8
	Povolená hodnota	8,2 - 9,3	6,3 - 4,3	10,3 - 11,3	5,5 - 4,1
Minimální výkon	Jmenovitá hodnota	8,8	5,2	10,0	6,0
	Povolená hodnota	8,2 - 9,3	6,3 - 4,3	9,5 - 10,5	6,8 - 5,2



Měření spalin musí být prováděno pomocí kalibrovaného analyzátoru.



Během běžného provozu kotel provádí automatické kontroly spalování. V této fázi lze během krátkých okamžiků zjistit hodnoty CO vyšší než 1000 ppm.

FUNKCE ÚPRAVA SPALOVÁNÍ (CO₂ %)

Tato funkce provádí částečné nastavení hodnot CO₂ %. Postup je následující:

- stiskněte současně tlačítka alespoň na 6 vteřin. Je-li tato funkce aktivní, na displeji je na několik vteřin zobrazen nápis "On", následuje programovací řádek "304" střídavě s hodnotou % výkonu kotle
- Po zapálení hořáku kotle je kotel přiveden na maximální výkon TUV (100). Když se na displeji zobrazí "100", lze provést částečnou úpravu hodnoty CO₂ %;
- stiskněte tlačítko , na displeji se zobrazí "00" střídavě s číslem funkce "304" (symbol bliká);
- pomocí tlačítek snižte nebo zvýšte obsah CO₂ (od -3 do +3).
- stiskněte tlačítko pro uložení nové hodnoty a pro návrat k zobrazení hodnoty výkonu "100" (kotel je dále v provozu s max. výkonem pro TUV).

Tento postup lze také použít pro nastavení obsahu CO₂ pro **výkon zapálení** a pro **minimální výkon** pomocí tlačítek po bodě 5 v předcházejícím popisu.

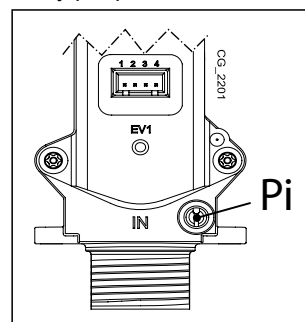
- Po uložení nové hodnoty (bod 5) stiskněte tlačítko , přivedete tak kotel k **výkonu zapálení**. Vyčkejte, až bude hodnota CO₂ stabilní, pokračujte v regulaci viz popis v bodě 4 (hodnota výkonu je číslo <> 100 e <> 0) a uložte (bod 5).
- stiskněte opět tlačítko , kotel se dostane na **minimální výkon**. Vyčkejte, až bude hodnota CO₂ stabilní, pokračujte v regulaci viz popis v bodě 4 (hodnota výkonu = 00);
- pro ukončení funkce stiskněte alespoň na 6 vteřin tlačítka viz popis v bodě 1.

13. PLYNOVÁ ARMATURA

Na tomto zařízení není třeba provádět žádné mechanické seřízení ventilu. Systém se sám elektronicky přizpůsobí.

Legenda plynové armatury

Pi
Vstup přívodu plynu



13.1 ZPŮSOB ZMĚNY PLYNU

Pouze autorizovaný technický servis může upravit kotel na provoz ze **ZEMNÍHO PLYNU** na **LPG** nebo naopak. Pro kalibraci je třeba nastavit parametr **P02** podle popisu v kapitole NASTAVENÍ PARAMETRŮ. Nakonec ověřte spalování podle popisu v kapitole ZVLÁŠTNÍ FUNKCE - KONTROLA SPALOVÁNÍ.



Po dokončení výměny plynu doporučujeme uvést typ použitého plynu na výrobní štítek.

Část INSTALATÉR (CS)

14. NASTAVENÍ PARAMETRŮ

Pro naprogramování parametrů elektronické desky kotle postupujte dle následujících pokynů:

- Stiskněte současně tlačítka a držte stisknuta alespoň 6 vteřin, až se na displeji zobrazí programovací řádek "P01" střídavě s nastavenou hodnotou;
- Tlačítka slouží pro listování v seznamu parametrů;
- Stiskněte tlačítko , hodnota zobrazeného parametru začne blikat, pomocí tlačítek upravte hodnotu;
- Stiskněte tlačítko pro potvrzení hodnoty nebo stiskněte tlačítko pro ukončení bez uložení.



Další informace o parametrech uvedených v následující tabulce naleznete v návodech u příslušenství.



Je-li přístroj připojen k systému pod podlahou, nastavte parametr P16 (Kotle) nebo P15 (Dálkového ovládání) = 01.

Kotle	Dálkového ovládání*	POPIS PARAMETRŮ	NASTAVENÍ Z VÝROBY			
			24	20/24 MI	24/28 MI	28/33 MI
P01	P00	Informace o výrobci	01			
P02	P01	Typ používaného plynu 00 = ZEMNÍ PLYN - 01 = LPG	00			
P03	P02	Hydraulický systém 00 = kotel s průtokovým ohřevem 03 = kotel s průtokovým ohřevem s funkcí předohřevu 05 = kotel s externím zásobníkem 08 = kotel pouze pro topení	08	00	00	00
P04	P03	Nastavení programovatelného relé 1 (Viz pokyny pro SERVICE)	02			
P05	P04	Nastavení programovatelného relé 2 (Viz pokyny pro SERVICE)	04			
P06	P05	Konfigurace vstupu vnějšího čidla (Viz pokyny pro SERVIS)	00			
P07..P09	P06..P08	Informace o výrobci	--			
P10	P09	Nastavení hodnoty teploty topení (Vzdálená kontrola - Open Therm / Prostorový termostat 230V~) 00 = hodnota teploty je ta, která je nastavena na Vzdálené kontrole 01 = hodnota teploty je ta, která je vyšší mezi Vzdálenou kontrolou a PCB 02 = hodnota teploty je ta, která je nastavena na Vzdálené kontrole Prostorový termostat aktivuje/deaktivuje provoz kotle	00			
P11..P12	P10..P11	Informace o výrobci	--			
P13	P12	Max výkon topení (0-100%)	100	80	86	80
P14	P13	Max výkon TUV (0-100%)	100			
P15	P14	Min výkon topení (0-100%)	00			
P16	P15	Nastavení maximální teploty topení (°C) 00 = 85°C - 01 = 45°C	00			
P17	P16	Doba dodatečného oběhu čerpadla v režimu topení (01-240 minut)	03			
P18	P17	Doba čekání v režimu topení před novým zapnutím (00-10 minut) - 00=10 sekund	03			
P19	P18	Informace o výrobci	07			
P20	P19	Doba dodatečného oběhu čerpadla v režimu TUV (sekundy)	30			
P21	P20	Antibakteriální funkce (°C) 00...54 = Deaktivovaná - 55...67 = Aktivovaná (nastavte požadovanou hodnotu teploty)	00			
P22	P21**	Informace o výrobci	00			
P23	P22	Maximální teplota nastavení TUV (ACS)	60			
P24	P23	Informace o výrobci	35			
P25	P24	Ochranné zařízení pro případ přerušení dodávky vody	00			
P26..P31	P25..P30	Informace o výrobci	--			
P32..P41	P31..P40	Diagnostika (Viz pokyny pro SERVIS)	--			
P67	P66	Nastavení Open Therm (OT) (Viz pokyny pro SERVICE) 02 = Open Therm Standard	02			

* Verze modulačního dálkového ovládání musí být alespoň 2.8

** Prostřednictvím modulačního dálkového ovládání se nelze dostat k nastavením instalatéra

14.1 REGULACE MAXIMÁLNÍHO VÝKONU TOPENÍ

Je lze snížit maximální výkon v režimu topení kotle podle potřeb připojeného topného systému. V následující části je uvedena tabulka s hodnotami parametru **P13** v závislosti na maximálním výkonu požadovaném u každého jednoho modelu kotle

Pro vstup a změnu hodnoty parametru **P13** postupujte podle popisu v kapitole NASTAVENÍ PARAMETRŮ.


Model kotle - PARAMETRU P13 (%) / Výkon topení (kW)

kW	24	20/24 MI	24/28 MI	28/33 MI
3,5	0	0		
4	2	2	0	
5	7	7	4	0
6	12	12	8	4
7	17	17	13	7
8	22	22	17	11
9	27	27	21	14
10	32	32	25	18
12	41	41	33	25
14	51	51	42	32
16	61	61	50	39
18	71	71	58	46
20	80	80	67	54
22	90		75	61
24	100		86	68
26				75
28				80

15. ZJIŠŤOVÁNÍ A VYŘEŠENÍ ZÁVAD SERVICE

Poruchy na displeji jsou označeny symbolem **E** a číslem (kód poruchy). V následující tabulce naleznete seznam poruch.

Pokud se na displeji zobrazí symbol **R** uživatel musí poruchu resetovat.

Pro restartování kotle stiskněte tlačítko . Pokud se některá chyba opakuje často, kontaktujte autorizovaný servis.

E	Popis závady	Zásah Service
09	Chyba připojení plynového ventilu	Ověřte připojení plynové armatury k elektronické desce.
10	Závada čidla vnější sondy	Zkontrolujte čidlo (*).
12	Nedošlo k přepnutí diferenciálního hydraulického snímače tlaku	Zkontrolujte správný provoz snímače tlaku a kabeláž.
13	Slepené kontakty diferenciálního hydraulického snímače tlaku	Viz zásahy uvedené v E12
15	Chyba ovladače plynového ventilu	Ověřte připojení plynové armatury k elektronické desce. V případě potřeby vyměňte elektronickou desku.
18	Probíhá automatické plnění hydraulického obvodu	Počkejte na dokončení cyklu naplnění.
19	Závada ve fázi plnění systému	Zkontrolujte ventil pro naplnění.
20	Závada čidla NTC vstupu	Zkontrolujte čidlo (**). Ověřte spojení kabelů čidla. Ověřte, jestli na kabelech nedošlo ke zkratu.
28	Závada čidla NTC spalín	Zkontrolujte čidlo NTC spalín (***). Ověřte spojení kabelů čidla. Ověřte, jestli na kabelech nedošlo ke zkratu.
40	Závada čidla NTC zpátečky	Viz zásahy uvedené v E20
50	Závada čidla NTC TUV (pouze pro model s topením pomocí zásobníku)	Viz zásahy uvedené v E20
53	Potrubí spalín ucpané	Zkontrolujte, zda vypouštěcí hadice není ucpaná. Odpojte elektrické napájení kotle na několik sekund.
55	Elektronická karta nebyla nastavena	Aktivujte funkci automatické kalibrace popsanou v instrukčním listu náhradních dílů.
83...87	Problém komunikace mezi deskou kotle a obslužnou jednotkou. Pravděpodobně došlo ke zkratu na kabelování.	Zkontrolujte kabeláž mezi Prostorovým přístrojem a elektronickou deskou nebo spojem RF.
92	Závada spalín během fáze kalibrace (možná recirkulace spalín)	Zkontrolujte možné recirkulace spalín. Aktivujte funkci automatické kalibrace popsanou v odstavci ROČNÍ ÚDRŽBA - VÝMĚNA KOMPONENTŮ.

109	Výskyt vzduchu v okruhu kotle (přechodná závada)	Ověřte provoz čerpadla. Ověřte napájecí kabely čerpadla.	
110	Zárok bezpečnostního termostatu z důvodu přehřátí (pravděpodobné zablokování čerpadla anebo výskyt vzduchu v topném okruhu).	Ověřte provoz čerpadla. Ověřte napájecí kabely čerpadla Ověřte integritu limitního termostatu a v případě potřeby ho vyměňte Ověřte spojení kabelů limitního termostatu	
117	Příliš vysoký tlak hydraulického okruhu (> 2,7 bar)	Ověřte, že tlak v systému odpovídá předepsanému tlaku Viz odstavec NAPLNĚNÍ SYSTÉMU.	
118	Příliš nízký tlak hydraulického okruhu	Je-li tlak okruhu CH <0,5 bar, systém naplňte (viz odstavec NAPLNĚNÍ SYSTÉMU). Ověřte správný provoz hydraulického snímače tlaku	
125	Bezpečnostní zásah z důvodu nedostatečné cirkulace. (kontrola provedena pomocí teplotního čidla)	Viz zásahy uvedené v E109	
128	Ztráta plamene	Zkontrolujte integritu elektrody pro kontrolu plamene a její polohu (viz odstavec ROČNÍ ÚDRŽBA - UMÍSTĚNÍ ELEKTROD). Ověřte spojení kabelu a správný kontakt s elektrodou pro kontrolu plamene a se zapalovačem. Viz zásahy uvedené v E92	
129	Ztráta plamene při zapnutí	Zkontrolujte integritu elektrody pro kontrolu plamene a její polohu (viz odstavec ROČNÍ ÚDRŽBA - UMÍSTĚNÍ ELEKTROD). Ověřte spojení kabelu a správný kontakt s elektrodou pro kontrolu plamene a se zapalovačem. Zkontrolujte možné recirkulace spalin.	
130	Zásah sondy NTC spalin z důvodu přehřátí	Ověřte tepelnou výměnu výměníku vody/ spalin: možná slabá cirkulace anebo přítomnost vodního kamene. Zkontrolujte čidlo NTC spalin (***).	
133	Nedošlo ke spuštění (5 pokusy)	Ověřte, že uzavírací ventil plynu je otevřený a žádný vzduch v plnicím okruhu plynu. Ověřte plnicí tlak plynu. Ověřte spojení kabelu a správný kontakt s elektrodou pro kontrolu plamene a se zapalovačem. Viz zásahy uvedené v E92 Ověřte správný provoz odvodu kondenzátu.	
134	Plynový ventil zablokovaný	Ověřte plnicí tlak plynu. Zkontrolujte integritu a polohu elektrod pro kontrolu plamene a zapnutí, a její kabeláž (viz odstavec ROČNÍ ÚDRŽBA - UMÍSTĚNÍ ELEKTROD). V případě potřeby vyměňte elektronickou desku.	
135	Vnitřní chyba karty	Vyměňte elektronickou desku.	
154	Kontrolní test vstupního čidla/čidla zpátečky	Viz zásahy uvedené v E109	
160	Závada provozu ventilátoru	Ověřte správný provoz ventilátoru. Ověřte, že napájecí kabely ventilátoru jsou připojené k elektronické desce.	
178	Zásah bezpečnostního termostatu kvůli přehřátí na systému s nízkou teplotou	Ověřte správný provoz čerpadla a cirkulaci vody v systému s nízkou teplotou. Ověřte napájecí kabely čerpadla.	
317	162	Chyba frekvence elektrického napájení	Ověřte, jestli je nesprávná frekvence napájení způsobená příčinami mimo kotle, v daném případě kontaktujte dodavatele elektrické energie.
321	163	Závada čidla NTC TUV	Viz zásahy uvedené v E20
384	164	Parazitní plamen (vnitřní závada)	Zkontrolujte správný provoz plynové armatury.
385	165	Příliš nízké napájecí napětí	Napájecí napětí V<175V. Ověřte, že poklesy napájení jsou způsobené příčinami mimo kotle, v daném případě kontaktujte dodavatele elektrické energie.

CH = topný okruh.

(*) Vnější sonda: hodnota odolnosti vůči zimě cca 1 kΩ @ 25°C (odolnost se zvyšováním teploty klesá).

(**) Čidlo NTC, zpátečky a TUV: hodnota odolnosti vůči zimě cca 10 kΩ @ 25°C (odolnost se zvyšováním teploty klesá).

(***) Čidlo NTC spalin: hodnota odolnosti vůči zimě cca 20 kΩ @ 25°C (odolnost se zvyšováním teploty klesá).



Pokud dojde k poruše, zapne se podsvícení displeje a je zobrazen kód poruchy. Je možné provést 5 pokusů o restart, poté se kotel zablokuje. Pro další pokus o restart vyčkejte 15 minut.

16. REGULAČNÍ A BEZPEČNOSTNÍ PRVKY

Kotel je konstruován tak, aby jeho provoz odpovídal všem platným normám a předpisům. Obsahuje následující komponenty:

- **Bezpečnostní termostat**

Tento prvek, jehož senzor je umístěn na výstupu do topení, přeruší přívod plynu k hořáku v případě přehřátí vody v primárním okruhu.

⊘ Je zakázáno vyřadit z provozu tento bezpečnostní prvek

- **Sonda NTC spalin**

Tento prvek je umístěn na primárním výměníku. V případě přehřátí zablokuje elektronická deska přísun plynu k hořáku.

⊘ Je zakázáno vyřadit z provozu tento bezpečnostní prvek

- **Ionizační elektroda kontroly plamene**

Ionizační elektroda zaručuje bezpečnost v případě nedostatku plynu nebo neúplného zapálení hlavního hořáku. Za těchto podmínek se kotel zablokuje.

- **Tlakový spínač**

Tento prvek umožňuje zapálení hlavního hořáku pouze tehdy, je-li tlak v systému vyšší než 0,5 bar.

- **Doběh čerpadla**

Doběh čerpadla je řízen elektronicky, trvá 3 minuty a je aktivován, ve funkci topení, až po vypnutí hlavního hořáku kvůli zásahu prostorového termostatu.

- **Ochrana proti zamrznutí**

Elektronické ovládání kotle je vybaveno protizámrazovou funkcí v okruhu topení a TUV, která při teplotě na výstupu nižší než 5 °C spustí hořák, až dosáhne hodnotu na výstupu 30 °C. Tato funkce je aktivní, pokud je kotel napájen elektricky, má přívod plynu a je dodržen předepsaný tlak v systému.

- **Funkce proti zablokování čerpadla**

Pokud není požadavek na topení nebo TUV po dobu 24 hodin, čerpadlo se automaticky spustí na 10 vteřin.

- **Funkce proti zablokování trojcestného ventilu**

Pokud není požadavek na topení nebo TUV po dobu 24 hodin, dojde k sepnutí trojcestného ventilu.

- **Hydraulický pojistný ventil (okruh vytápění)**

Tento prvek, nastavený na 3 bar, slouží pro topný okruh. Doporučujeme připojit pojistný ventil k odpadu se sifonem. Je zakázáno ho používat jako prostředek pro vypuštění topného okruhu.

- **Protočení čerpadla okruhu vytápění**

V případě požadavku na vytápění může zařízení provést protočení čerpadla ještě před zapálením hořáku. Doba trvání záleží na provozní teplotě a na podmínkách instalace a trvá od několika vteřin až po několik minut.

17. ÚDAJE O PRŮTOKU VODY/VÝTLAČNÉ VÝŠCE NA VÝSTUPU KOTLE

Použitý typ čerpadla se vyznačuje vysokou výtlační výškou s možností použití na jakémkoli typu topném systému, ať už jednotrubkovém či dvoutrubkovém. Automatický odvzdušňovací ventil, vestavěný v těle čerpadla, umožňuje rychlé odvzdušnění topného systému.

LEGENDA GRAF ČERPADLA - příloha „SECTION“ E

Q	PRŮTOK	MIN	Minimální rychlost modulace
H	VÝTLAČNÍ VÝŠKA	MAX	Maximální rychlost modulace

Část INSTALATÉR (cs)

18. ROČNÍ ÚDRŽBA



Pokud byl kotel v provozu, vyčkejte, až zchladne spalovací komora a rozvody.



Před jakýmkoliv zásahem se přesvědčte, zda kotel není napájen z elektrické sítě. Pokud během údržby došlo ke změně parametrů, po ukončení zásahu nastavte opět původní parametry.



Pro čištění zařízení nepoužívejte drsné, agresivní a/nebo hořlavé látky (jako např. benzín, aceton, atd.).

Pro zajištění optimální účinnosti kotle je nezbytné jednou ročně provádět následující kontroly:

- kontrola stavu těsnosti těsnění plynové a spalovací části. Vyměňte opotřebovaná těsnění za nové a originální náhradní díly;
- kontrola stavu a správného umístění zapalovací a ionizační elektrody;
- kontrola stavu hořáku a jeho správné umístění;
- kontrola eventuálních nečistot uvnitř spalovací komory. Při úklidu použijte vysavač;
- kontrola tlaku v topném systému;
- kontrola tlaku v expanzní nádobě;
- kontrola správného provozu ventilátoru;
- kontrola vedení odtahu spalin a sání, zda nejsou ucpaná;
- kontrola eventuálních nečistot uvnitř sifonu (pro kondenzační kotle);
- u kotlů se zabudovaným zásobníkem kontrola anody.

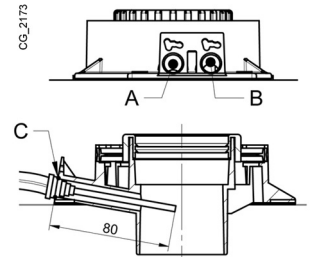


Pro vyprázdnění a vyčištění sifonu nedoporučujeme používat servisní zátku nacházející se na jeho dně. Vyjměte sifon z vnitřní části kotle a vyčistěte ho proudem vody. Naplňte sifon čistou vodou a vraťte ho zpět, přičemž věnujte pozornost zajištění všech připojení.

18.1 PARAMETRY SPALOVÁNÍ

Kotel je vybaven 2 vstupy, které slouží pro měření účinnosti spalování a hygienické nezávadnosti spalin. Jeden vstup je do spalinové cesty (A), pomocí kterého lze kontrolovat hygienickou nezávadnost a účinnost spalování. Druhý vstup je na nasávání spalovaného vzduchu (B), kde je možné v případě koaxiálního odkouření kontrolovat, zda nedochází ke zpětné cirkulaci spalin. Na spalinové cestě mohou být kontrolovány následující parametry:

- teplota spalin;
- koncentrace kyslíku (O_2) nebo popř. oxidu uhličitého (CO_2);
- koncentrace oxidu uhelnatého (CO).



Teplota spalovacího vzduchu musí být měřena na vstupu nasávání vzduchu (B), vložením sondy NTC o délce 8 cm (C).



Aktivování funkce "KOMINÍK" viz kapitola 12.3.

18.2 HYDRAULICKÁ SKUPINA

V místech, kde tvrdost vody překračuje hodnotu 20 °F (1°F = 10 mg uhličitanu vápenatého na litr vody), doporučujeme dávkovač polyfosfátů nebo systémů se stejným účinkem, který odpovídá platným normám.

LEGENDA - "SECTION" F

A	Upevňovací šrouby výměníku TUV
B	Snímač přednosti TUV s filtrem
C	Ventil pro vypuštění kotle/systému (C-1 & C-2: přístup k ventilu C - spodní strana kotle)
D	Ventil pro naplnění kotle/systému
E	Teplotní sonda NTC TUV
F	Tlakový snímač vody okruhu topení

18.2.1 ČIŠTĚNÍ FILTRU STUDENÉ VODY

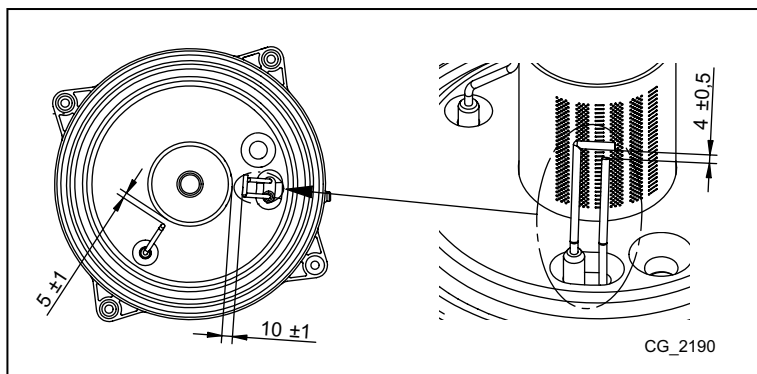
Kotel je vybaven filtrem studené vody, který je umístěn na hydraulické jednotce (B). Při čištění postupujte podle následujících pokynů:

- Vypusťte vodu z okruhu TUV.
- Odšroubujte matici na jednotce průtokového senzoru
- Vyjměte senzor s příslušným filtrem.
- Odstraňte případné nečistoty.



V případě výměny a/nebo čištění O-kroužků hydraulické jednotky nepoužívejte jako maziva ropné oleje nebo tuky, ale pouze přípravek Molykote 111.

18.3 UMÍSTĚNÍ ELEKTROD



18.4 VÝMĚNA DÍLŮ

V případě výměny některého z těchto komponentů:




- Primární výměník
- Ventilátor
- Plynová armatura
- Plynová tryska
- Hořák
- Kontrolní elektroda

Je nutné aktivovat Automatické nastavení, viz následující popis, následně pak zkontrolujte a případně nastavte hodnotu CO₂%, viz popis v kapitole "FUNKCE ÚPRAVA SPALOVÁNÍ (CO₂%)".





Pokud dojde k zásahu na zařízení, doporučujeme zkontrolovat stav a umístění kontrolní elektrody a pokud je poškozená vyměnit ji.


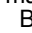
FUNKCE AUTOMATICKÉ NASTAVENÍ

Alespoň na 6 vteřin stiskněte současně tlačítka  , když se na displeji zobrazí nápis "On" stiskněte tlačítko  (do 3 vteřin po stisknutí dvou tlačítek).




Pokud se na displeji zobrazí hlášení "303", funkce automatické nastavení nebyla aktivována. Na pár vteřin odpojte kotel z elektrické sítě a zopakujte výše uvedený postup.

Když je funkce aktivní, na displeji se zobrazí blikající symboly  .

Po sérii zapálení, ke kterému může dojít i po několika pokusech, kotel provede 3 operace (každá trvá asi minutu), nejdříve dosáhne maximální výkon, pak výkon při zapálení a nakonec minimální výkon. Než kotel přejde do další fáze (od maximálního výkonu po výkon při zapálení a pak k minimálnímu výkonu), na displeji se na několik vteřin zobrazí symboly  . Během této fáze displej zobrazuje střídavě úroveň dosaženého výkonu kotle a teplotu na výstupu.

Pokud na displeji blikají současně symboly   znamená to, že funkce nastavení je ukončena.

Pro výstup z funkce stiskněte tlačítko , na displeji je zobrazen nápis **ESC**.

19. ODINSTALOVÁNÍ, LIKVIDACE A RECYKLACE



Pouze kvalifikovaní technici mají povolení zasahovat na zařízení a na systému.

Před odinstalováním zařízení se ujistěte o odpojení elektrického napájení, uzavření vstupního ventilu plynu a uvedení všech přípojení kotle a systému do bezpečného stavu.

Zařízení je třeba likvidovat správně v souladu s platnými nařízeními, zákony a předpisy. Je zakázáno likvidovat zařízení a příslušenství společně s domovním odpadem.

Více než 90% materiálů zařízení lze recyklovat.

20. TECHNICKÉ ÚDAJE

Model: MPX		24 COMPACT	20/24 MI COMPACT	24/28 MI COMPACT	28/33 MI COMPACT
Kategorie		II _{2H3P}			
Typ plynu	-	G20 - G31			
Jmenovité tepelné dopravované množství TV	kW	-	24,7	28,9	34,0
Jmenovité tepelné dopravované množství topení	kW	24,7	20,6	24,7	28,9
Redukované tepelné dopravované množství	kW	3,5	3,5	3,9	4,8
Jmenovitý tepelný výkon TV	kW	-	24,0	28,0	33,0
Jmenovitý tepelný výkon 80/60 °C	kW	24,0	20,0	24,0	28,0
Jmenovitý tepelný výkon 50/30 °C	kW	26,1	21,8	26,1	30,6
Redukovaný tepelný výkon 80/60 °C	kW	3,4	3,4	3,8	4,7
Redukovaný tepelný výkon 50/30 °C	kW	3,7	3,7	4,1	5,1
Jmenovitá účinnost 50/30 °C	%	105,7	105,8	105,8	105,8
Účinnost 30% Pn	%	108,8	108,8	108,8	108,9
Maximální tlak vody topného okruhu	bar	3			
Minimální tlak vody topného okruhu	bar	0,5			
Objem vody expanzní nádoby	l	7			
Minimální tlak expanzní nádoby	bar	0,8			
Maximální tlak vody v okruhu TV	bar	-	8,0	8,0	8,0
Minimální dynamický tlak okruhu TV	bar	-	0,15	0,15	0,15
Minimální průtok vody okruhu TV	l/min	-	2,0	2,0	2,0
Výroba vody TUV při ΔT = 25 °C	l/min	-	13,8	16,1	18,9
Výroba vody TUV při ΔT = 35 °C	l/min	-	9,8	11,5	13,5
Specifický průtok „D“ (EN 13203-1)	l/min	-	11,5	13,4	15,8
Rozsah teplot topného okruhu	°C	25+80			
Rozsah teplot okruhu TV	°C	35+60			
Typologie odkouření	-	C13(x) - C33(x) - C43(x) - C43P - C53(x) C63(x) - C83(x) - C93(x) - B23 - B23P			
Průměr koaxiálního odkouření	mm	60/100			
Průměr děleného odkouření	mm	80/80			
Max. hmotnostní průtok spalin	kg/s	0,0012	0,012	0,014	0,016
Min. hmotnostní průtok spalin	kg/s	0,002	0,002	0,002	0,002
Max teplota spalin	°C	80			
Třída Nox	-	6			
Připojovací přetlak zemního plynu 2H	mbar	20			
Připojovací přetlak propanu 3P	mbar	37			
Elektrické napětí napájení	V	230			
Frekvence napájení	Hz	50			
Jmenovitý elektrický příkon	W	85	85	99	106
Čistá hmotnost	kg	30	34	34	35
Rozměry (výška/šířka/hloubka)	mm	700/400/299			
Stupeň ochrany proti vlhkosti (EN 60529)	-	IPX5D			
Certifikát CE č. 0085CL0214					

SPOTŘEBA TOPNÉHO DOPRAVOVANÉHO MNOŽSTVÍ Q_{max} a Q_{min}

Q _{max} (G20) - 2H	m ³ /h	2,61	2,61	3,06	3,60
Q _{min} (G20) - 2H	m ³ /h	0,37	0,37	0,41	0,51
Q _{max} (G31) - 3P	kg/h	1,92	1,92	2,25	2,64
Q _{min} (G31) - 3P	kg/h	0,27	0,27	0,30	0,37

21. TECHNICKÉ PARAMETRY

DE DIETRICH MPX			24 COMPACT	20/24 MI COMPACT	24/28 MI COMPACT	28/33 MI COMPACT
Kondenzační kotel			Ano	Ano	Ano	Ano
Nízkoteplotní kotel ⁽¹⁾			Ne	Ne	Ne	Ne
Kotel typu B11			Ne	Ne	Ne	Ne
Kogenerační ohřívač pro vytápění vnitřních prostorů			Ne	Ne	Ne	Ne
Kombinovaný ohřívač			Ne	Ano	Ano	Ano
Jmenovitý tepelný výkon	<i>Prated</i>	kW	24	20	24	28
Užitečný tepelný výkon při jmenovitém tepelném výkonu a ve vysokoteplotním režimu ⁽²⁾	P_4	kW	24.0	20.0	24.0	28.0
Užitečný tepelný výkon při 30 % jmenovitého tepelného výkonu a v nízkoteplotním režimu ⁽¹⁾	P_1	kW	8.0	6.7	8.0	9.4
Sezónní energetická účinnost vytápění	η_s	%	93	93	93	93
Užitečná účinnost při jmenovitém tepelném výkonu a ve vysokoteplotním režimu ⁽²⁾	η_4	%	87.9	88.0	87.9	88.1
Užitečná účinnost při 30 % jmenovitého tepelného výkonu a v nízkoteplotním režimu ⁽¹⁾	η_1	%	98.0	98.0	98.0	98.1
Spotřeba pomocné elektrické energie						
Plné zatížení	<i>elmax</i>	kW	0.042	0.030	0.042	0.041
Částečné zatížení	<i>elmin</i>	kW	0.013	0.013	0.013	0.013
Pohotovostní režim	P_{SB}	kW	0.003	0.003	0.003	0.003
Další položky						
Tepelná ztráta v pohotovostním režimu	P_{stby}	kW	0.035	0.035	0.035	0.040
Spotřeba elektrické energie zapalovacího hořáku	P_{ign}	kW	0.000	0.000	0.000	0.000
Roční spotřeba energie	Q_{HE}	GJ	74	62	74	87
Hladina akustického výkonu ve vnitřním prostoru	L_{WA}	dB	52	49	48	53
Emise oxidů dusíku	NO_x	mg/kWh	16	15	17	15
Parametry teplé vody pro domácnosti						
Deklarovaný zátěžový profil				XL	XL	XXL
Denní spotřeba elektrické energie	Q_{elec}	kWh		0.162	0.232	0.214
Roční spotřeba elektrické energie	AEC	kWh		36	51	47
Energetická účinnost ohřevu vody	η_{wh}	%		88	86	87
Denní spotřeba paliva	Q_{fuel}	kWh		21.780	22.470	27.820
Roční spotřeba paliva	AFC	GJ		17	17	22
(1) Nízkou teplotou se u kondenzačních kotlů rozumí návratová teplota 30 °C, u nízkoteplotních kotlů teplota 37 °C a u ostatních ohřívačů 50 °C (na vstupu do ohřívače).						
(2) Vysokoteplotním režimem se rozumí návratová teplota 60 °C na vstupu do ohřívače a vstupní teplota 80 °C na výstupu ohřívače.						

22.INFORMAČNÍ LIST VÝROBKU

DE DIETRICH MPX		24 COMPACT	20/24 MI COMPACT	24/28 MI COMPACT	28/33 MI COMPACT
Vytápění vnitřních prostorů – teplotní aplikace		Střední	Střední	Střední	Střední
Ohřev vody – deklarovaný zátěžový profil			XL	XL	XL
Třída sezonní energetické účinnosti vytápění		A	A	A	A
Třída energetické účinnosti ohřevu vody			A	A	A
Jmenovitý tepelný výkon (<i>Prated nebo Psup</i>)	kW	24	20	24	28
Vytápění vnitřních prostorů – roční spotřeba energie	GJ	74	62	74	87
Ohřev vody – roční spotřeba energie	kWh ⁽¹⁾		36	51	47
	GJ ⁽²⁾		17	17	22
Sezónní energetická účinnost vytápění	%	93	93	93	93
Energetická účinnost ohřevu vody	%		88	86	87
Hladina akustického výkonu L _{WA} ve vnitřním prostoru	dB	52	49	48	53
(1) Elektrické energie (2) Paliva					

Vážený zákazník,

naša spoločnosť sa domnieva, že Váš nový výrobok uspokojí všetky Vaše požiadavky. Kúpa nášho výrobku je zárukou splnenia všetkých Vašich očakávaní: dobrú prevádzku a jednoduché racionálne použitie.

To, čo od Vás žiadame je, aby ste tento návod neodložili skôr, ako si prečítate všetky pokyny v ňom uvedené, uvedené pokyny obsahujú užitočné informácie pre správnu a účinnú prevádzku Vášho výrobku.

Naša spoločnosť vyhlasuje, že tieto výrobky sú vybavené označením **CE** v súlade so základnými požiadavkami nasledujúcich smerníc Európskeho parlamentu a Rady:

- Smernica **2009/142/ES** o plynových spotrebičoch (do 20 Apríl 2018)
- Nariadenie Komisie (EÚ) **2016/426** o plynových spotrebičoch (od 21 Apríl 2018)
- Smernica **92/42/EHS** o požiadavkách na účinnosť nových teplovodných kotlov na kvapalné a plynné palivá
- Smernica **2014/30/EU** o elektromagnetickej kompatibilite
- Smernica **2014/35/EU** (nízke napätie)
- Smernica **2009/125/ES** ekodizajn
- Nariadenie Komisie (EÚ) č. **2017/1369** (pre kotle s Výkonom < 70kW)
- Nariadenie Komisie (EÚ) č. **813/2013** o požiadavkách na ekodizajn tepelných zdrojov na vykurovanie priestoru a kombinovaných tepelných zdrojov
- Delegované nariadenie Komisie (EÚ) č. **811/2013** o označovaní energeticky významných výrobkov na internete štítkami (pre kotle s Výkonom < 70kW)



Naša spoločnosť si z dôvodu neustáleho zlepšovania svojich výrobkov vyhradzuje právo kedykoľvek a bez predchádzajúceho upozornenia upraviť údaje uvedené v tejto dokumentácii. Táto dokumentácia má len informatívny charakter a nesmie byť použitá ako zmluva vo vzťahu k tretím osobám.

Zariadenie môžu používať deti staršie ako 8 rokov a osoby s obmedzenými fyzickými, zmyslovými alebo rozumovými schopnosťami, alebo neskúsené a neinformované osoby za predpokladu, že sú pod dozorom alebo boli poučené o príslušnom bezpečnom použití zariadenia a pochopili nebezpečenstvá, ktoré z jeho používania vyplývajú. Deti sa nesmú so zariadením hrať. Čistenie a údržbu, ktorej vykonávanie musí byť zabezpečované používateľom, nesmú vykonávať deti bez dozoru.

OBSAH

POPIS SYMBOLOV	66
BEZPEČNOSTNÉ POKYNY	66
VŠEOBECNÉ UPOZORNENIA	67
RADY AKO UŠETRIŤ ENERGIU	67
1. UVEDENIE KOTLA DO PREVÁDZKY	68
1.1 NASTAVENIE TEPLoty NA VÝSTUPE VYKUROVANIA A TUV	68
1.2 REŽIMY PREVÁDZKY	68
2. DLHODOBÉ NEPOUŽÍVANIE SYSTÉMU. PROTIZÁMRAZOVÁ FUNKCIA (△)	69
3. VÝMENA PLYNU	69
4. PORUCHY	69
5. MENU INFORMÁCIE O KOTLE	70
6. VYPNUTIE KOTLA	70
7. NAPUSTENIE SYSTÉMU	70
8. POKYNY PRE RIADNU ÚDRŽBU	70
UPOZORNENIE PRED INŠTALÁCIU	71
9. INŠTALÁCIA KOTLA	71
9.1 PRÍSLUŠENSTVO SÚČASŤOU DODÁVKY	71
9.2 ROZMERY KOTLA	71
10. INŠTALÁCIA POTRUBIA ODVODU SPALÍN - PRISÁVANIA	72
10.1 KOAXIÁLNE POTRUBIA	72
10.2 ODDELENÉ POTRUBIA	73
11. ELEKTRICKÉ PRIPOJENIE	74
11.1 PRIPOJENIE PRIESTOROVÉHO TERMOSTATU	74
11.2 PRÍSLUŠENSTVO, KTORÉ NIE JE SÚČASŤOU DODÁVKY KOTLA	74
12. ŠPECIÁLNE FUNKCIE	75
12.1 UVEDENIE DO PREVÁDZKY	75
12.2 FUNKCIE ODVZDUŠNENIA SYSTÉMU	75
12.3 FUNKCIA KOMINÁR	75
12.4 KONTROLA SPALOVANIA (CO ₂)	76
FUNKCIA ÚPRAVA SPALOVANIA (CO ₂ %)	76
13. PLYNOVÁ ARMATÚRA	76
13.1 SPÔSOB VÝMENY PLYNU	76
14. NASTAVENIE PARAMETROV	77
14.1 REGULÁCIA MAXIMÁLNEHO VÝKONU VYKUROVANIA	78
15. ZISŤOVANIE A VYRIEŠENIE PORÚCH SERVICE	78
16. BEZPEČNOSTNÉ A REGULÁČNÉ PRVKY	80
17. ÚDAJE O PRIETOKU/VÝTLAČNEJ VÝŠKE KOTLA	80
18. ROČNÁ ÚDRŽBA	81
18.1 PARAMETRE SPALOVANIA	81
18.2 HYDRAULICKÁ JEDNOTKA	81
18.3 UMIESTNENIE ELEKTRÓD	82
18.4 VÝMENA DIELOV	82
19. ODINŠTALOVANIE, LIKVIDÁCIA A RECYKLÁCIA	82
20. TECHNICKÉ ÚDAJE	83
21. TECHNICKÉ PARAMETRE	84
22. INFORMAČNÝ LIST VÝROBKU	85

POPIS SYMBOLOV



UPOZORNENIE

Riziko poškodenia alebo zlej prevádzky zariadenia. Dbajte na upozornenia na nebezpečenstvá, ktoré sa týkajú ohrozenia osôb.



NEBEZPEČENSTVO POPÁLENIN

Pred zásahom do miest, ktoré sú vystavené žiaru, vyčkajte, kým zariadenie nevychladne.



NEBEZPEČENSTVO VYSOKÉHO NAPÄTIA

Elektrické časti pod prúdom, nebezpečenstvo elektrického šoku.



NEBEZPEČENSTVO VZNIKU POŽIARU

Potenciálne zápalný materiál alebo plyn.



NEBEZPEČENSTVO MRAZU

Možná tvorba ľadu, pretože teplota môže byť veľmi nízka.



DÔLEŽITÉ INFORMÁCIE

Tieto informácie je treba dôkladne prečítať, sú nevyhnutné pre správnu prevádzku kotla.



VŠEOBECNÝ ZÁKAZ

Je zakázané vykonávať/používať vid' popis vedľa symbolu.

BEZPEČNOSTNÉ POKYNY

JE CÍTIŤ PLYN

- Vypnite kotol.
- Nezapínajte žiadne elektrické zariadenia (napr. svetlá).
- Uhaste prípadné voľné plamienky a vyvetrajte.
- Kontaktujte autorizovaný servis.

SÚ CÍTIŤ SPALINY

- Vypnite kotol.
- Vyvetrajte.
- Kontaktujte autorizovaný servis.

HORĽAVÉ MATERIÁLY

Nepoužívajte alebo neskladujte v blízkosti kotla ľahko horľavé materiály (papier, riedidlá atď.)

ÚDRŽBA A ČISTENIE KOTLA

Pred akýmkoľvek zásahom odpojte kotol z elektrickej siete.



Časti balení (igelitové vrecká, polystyrén atď.) nesmú byť ponechané v dosahu detí, pretože môžu byť prípadným zdrojom nebezpečenstva.



Zariadenie nie je určené osobám, ktorých fyzické, zmyslové alebo mentálne schopnosti nie sú dostatočné, s výnimkou, keď majú dohľad zodpovednej osoby, ktoré zaisťujú ich kontrolu alebo inštruktáž o používaní zariadenia.

VŠEOBECNÉ UPOZORNENIA

Tento kotol slúži k ohrevu vody na teplotu nižšiu ako je teplota varu pri atmosférickom tlaku. V závislosti na prevedení a výkone musí byť kotol pripojený na systém vykurovania a vybrané modely k rozvodnej sieti TUV. Pred samotným pripojením kotla, ktoré musí byť prevedené kvalifikovaným pracovníkom, je nutné vykonať nasledujúce:

- Skontrolujte, či je kotol pripravený na prevádzku na používaný druh plynu. Táto informácia je uvedená na obale a na štítku, ktorý je umiestnený priamo na zariadení.
- Skontrolujte, či má komín dostatočný ťah, či nemá zúženie a nie sú do neho vyvedené oddymenia ďalších zariadení. Okrem prípadov spoločných odvodov realizovaných podľa platných noriem a predpisov.
- V prípade využitia starších odvodov skontrolujte, či sú perfektne vyčistené. Uvoľnenie prípadných usadenín počas prevádzky by mohlo obmedziť priechod spalín.
- Aby mohla byť zaistená správna prevádzka a zachovaná záruka na zariadení, je nevyhnutné dodržiavať nasledujúce pokyny:

1. Okruh TUV

1.1 Ak tvrdosť vody prekročí hodnotu 20 °F (1 °F = 10 mg uhličitanu vápenatého na liter vody) je povinná inštalácia dávkovača polyfosfátov alebo systému s rovnakým účinkom, ktorý zodpovedá platným normám.

1.2 Po inštalácii kotla a pred jeho uvedením do prevádzky je nutné systém dôkladne vyčistiť.

1.3 Použitie materiálov pre okruh TUV musia byť v súlade so smernicou 98/83/CE.

2. Okruh vykurovania

2.1 Nový systém: Pred inštaláciou kotla musí byť systém dôkladne vyčistený od zvyškov nečistôt po rezaní závitov, zváraní a prípadných zvyškov riedidiel a pájacích pást. Pre čistenie používajte vhodné prostriedky do vykurovacích systémov bežne dostupné na trhu (napr. SENTINEL X300 alebo X400). Pri používaní týchto výrobkov vždy dodržujte priložené inštrukcie.

2.2 Starší systém: Pred inštaláciou kotla musí byť systém kompletne vypustený a dokonale vyčistený od kalu a kontaminovaných látok. Pre čistenie používajte vhodné prostriedky bežne dostupné na trhu. Pri používaní týchto výrobkov vždy dodržujte priložené inštrukcie. Pripomíname, že usadeniny vo vykurovacom systéme spôsobujú problémy počas prevádzky kotla (napr. prehrievanie a hlučnosť výmenníka). Kotol a celá vykurovacia sústava sa napuští čistou, chemicky neagresívnou mäkkou vodou. V prípade vyššej tvrdosti dostupnej vody odporúčame použiť vhodné prípravky na úpravu vody pre vykurovacie systémy opatrené čerpadlom (napr. INHICOR T). Použitie týchto prípravkov je nutné konzultovať i s ostatnými dodávateľmi súčastí vykurovacej sústavy (radiátory, rozvody, armatúry atď.)

Uvedenie kotla do prevádzky musí vykonať autorizovaný servis, ktorý musí skontrolovať:

- či sú údaje na výrobnom štítku v súlade s miestnymi napájacími sieťami (elektrické, vodovodné, plynové).
- či je inštalácia v súlade s platnými normami
- Či bolo riadne vykonané elektrické zapojenie do siete a uzemnenie.



V prípade nedodržania týchto pokynov stráca platnosť záruka na zariadenie. Pred uvedením kotla do prevádzky odstráňte ochrannú fóliu. Nepoužívajte však ostré nástroje alebo drsné materiály, ktoré by mohli poškodiť lak.

RADY AKO UŠETRIŤ ENERGIU

Nastavenie vykurovania

Nastavte prírodnú teplotu kotla podľa typu systému. Pri systémoch s radiátormi odporúčame nastaviť maximálnu prírodnú teplotu vykurovanej vody na približne 60°C a zvýšiť uvedenú teplotu v prípade, že nebol dosiahnutý požadovaný komfort v miestnosti. V prípade systému s podlahovými vykurovacími doskami neprekračujte teplotu odporúčanú jeho projektantom. Odporúčame použiť externú sondu a/alebo ovládací panel za účelom automatického prispôsobenia prírodnej teploty podľa poveternostných podmienok alebo teploty v interiéri. Takýmto spôsobom nebude vyprodukované väčšie množstvo tepla ako je skutočne potrebné. Nastavte teplotu prostredia bez toho, že by ste miestnosť prehriali. Každý nadmerný stupeň prináša so sebou asi 6% zvýšenie energetickej spotreby. Prispôbte teplotu prostredia aj podľa typu miestnosti. Napríklad v spálni alebo menej používaných miestnostiach môže byť teplota vykurovania menšia. Pre nastavenie teploty v nočných hodinách používajte časovač (časové programovanie) a nastavte o 5°C nižšiu teplotu ako je teplota cez deň. Nižšia teplota sa v zmysle energetickej úspory nevypláca. Iba v prípade dlhodobej absencie, napr. prázdniny, znížte teplotu o viacej stupňov ako je nastavená teplota. Nezakrývajte radiátory, aby ste umožnili správne prúdenie vzduchu. Nenechávajte okná prívreté za účelom vetrania miestností, naopak ich krátkodobo otvorte dokorán.

Teplá voda TUV

Optimálnu úsporu dosiahnete nastavením zelenej teploty teplej vody TUV tak, aby ste sa vyhli jej miešaniu so studenou vodou. Každé ďalšie vykurovanie spôsobuje plytvanie energie a vyššiu tvorbu vodného kameňa.

Užívateľ & Inštalatér (SK)

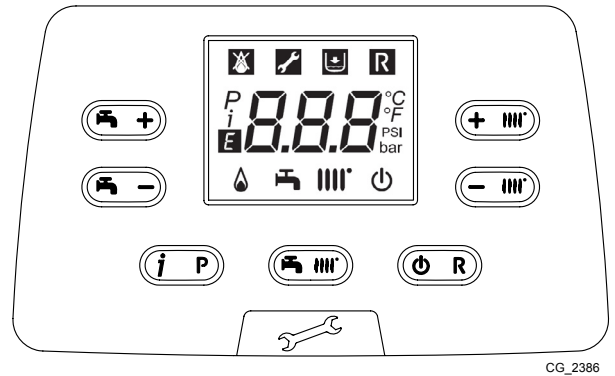
1. UVEDENIE KOTLA DO PREVÁDZKY

Pre správne uvedenie do prevádzky postupujte podľa nasledujúcich pokynov:

- Skontrolujte, či je správny tlak v systéme (kap. 7);
- Zapojte kotol do elektrickej siete.
- Otvorte plynový kohút (žltý, umiestnený pod kotlom);
- Zvoľte požadovaný režim vykurovania (kap. 1.2).

Legenda TLAČIDIEL

	Nastavenie teploty TÚV (tlačidlo + pre zvýšenie teploty a tlačidlo – pre zníženie)
	Regulácia nastavenia teploty vykurovania (tlačidlo + pre zvýšenie teploty a tlačidlo – pre zníženie)
	Informácia o prevádzke kotla
	Režim prevádzky: TÚV – TÚV & Vykurovanie – Len Vykurovanie
	Vypnuté – Reset – Výstup z menu/funkcie



CG_2386

Legenda SYMBOLOV

	Vypnuté: vykurovanie a TÚV neaktívne (je aktívna len protizámrazová ochrana kotla)		Zapnutý horák
	Porucha, ktorá zabraňuje zapáleniu horáka		Aktívny režim prevádzky TÚV
	Nízky tlak v kotle/systéme		Aktívny režim prevádzky vykurovania
	Požiadavka na zásah autorizovaného servisu		Programovacie menu
	Manuálne resetovateľná chyba, tlačidlo		Informačné menu
	Porucha	°C, °F, bar, PSI	Nastavené merné jednotky (SI/US)

1.1 NASTAVENIE TEPLoty NA VÝSTUPE VYKUROVANIA A TÚV

Nastavenie teploty na výstupe vykurovania a TÚV (v prípade externého zásobníka) sa vykonáva pomocou príslušných tlačidiel a . Zapálenie horáku je na displeji zobrazené symbolom .

VYKUROVANIE: behom prevádzky kotla pre okruh vykurovania je na displeji zobrazený symbol striedavo s teplotou vykurovania (°C).

V prípade inštalácie vonkajšej sondy sa pomocou tlačidiel nepriamo nastavuje teplota v miestnosti (hodnota z výroby 20°C - viď kapitola 11.2.1).

TÚV: Behom prevádzky kotla pre TÚV je na displeji zobrazený symbol a teplota primárneho okruhu kotla (°C).

1.2 REŽIMY PREVÁDZKY

ZOBRAZENÝ SYMBOL	PREVÁDZKOVÝ REŽIM
	TÚV
	TÚV & VYKUROVANIE
	LEN VYKUROVANIE

Prevádzka zariadenia v režime **TÚV - Vykurovanie** alebo **Len vykurovanie** aktivujete opakovaným stlačením tlačidla a výberom jedného z troch možných režimov.

Ak chcete zachovať aktívnu len protizámrazovú ochranu, stlačte aspoň na 3 sekundy tlačidlo , na displeji sa zobrazí symbol (ak je kotol zablokovaný, blíkajú podsvietenie displeja).

2. DLHODOBÉ NEPOUŽÍVANIE SYSTÉMU. PROTIZÁMRAZOVÁ FUNKCIA (⚠)

Ak je to možné nevypúšťajte vodu z celého vykurovacieho systému, pretože častá výmena vody spôsobuje zbytočné a škodlivé usadzovanie vodného kameňa vo vnútri kotla a vykurovacích telies. V prípade, že nebudete vykurovací systém počas zimy používať a v prípade nebezpečenstva mrazu, odporúčame zmiešať vodu v systéme s vhodnými nemrznúcimi zmesami určenými k tomuto účelu (napr. polypropylénový glykol spolu s prostriedkami zabráňujúcimi usadzovaniu kotolného kameňa a korózii). Elektronické ovládanie kotla je opatrené funkciou proti zamrznutiu v okruhu vykurovania, ktorá sa aktivuje, keď je teplota vody privádzanej do systému nižšia ako 5°C. Táto funkcia uvedie do prevádzky horák, ktorý pracuje až do doby, keď teplota privádzanej vody dosiahne hodnotu 30°C.



Táto funkcia je aktívna, pokiaľ je kotol elektricky napájaný, je pripojený plyn, v systéme je predpísaný tlak a kotol nie je zablokovaný.

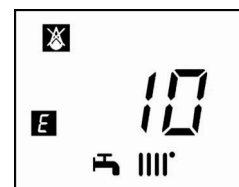
3. VÝMENA PLYNU

Kotly môžu byť prevádzkované ako na zemný plyn (G20), tak na LPG (G31). Ak je nutná zmena, kontaktujte autorizovaný servis.

4. PORUCHY

Poruchy na displeji sú označené symbolom **E** a číslom (kód poruchy). V nasledujúcej tabuľke nájdete zoznam porúch.

Ak sa na displeji zobrazí symbol **R** užívateľ musí poruchu resetovať. Pre reštartovanie kotla stlačte tlačidlo . Ak sa niektorá chyba opakuje často, kontaktujte autorizovaný servis.



E	Popis poruchy	Zároveň
09	Chyba pripojenia plynového ventilu	Zateľonujte do autorizovaného technického servisu.
10	Porucha snímača vonkajšej sondy	Zateľonujte do autorizovaného technického servisu.
12	Nedošlo k prepnutiu diferenciálneho hydraulického snímača tlaku	Zateľonujte do autorizovaného technického servisu.
13	Zlepené kontakty diferenciálneho hydraulického snímača tlaku	Zateľonujte do autorizovaného technického servisu.
15	Chyba ovládača plynového ventilu	Zateľonujte do autorizovaného technického servisu.
18	Prebieha automatické napĺňanie hydraulického obvodu	Počkajte na dokončenie cyklu napĺňania
19	Porucha vo fáze napĺňania systému	Stlačte aspoň na 2 sekundy tlačidlo R
20	Porucha prívodného snímača NTC	Zateľonujte do autorizovaného technického servisu.
28	Porucha snímača NTC na zistenie dymu	Zateľonujte do autorizovaného technického servisu.
40	Porucha vratného snímača NTC	Zateľonujte do autorizovaného technického servisu.
50	Porucha snímača NTC TUV (len pre model s vykurovaním pomocou bojlera)	Zateľonujte do autorizovaného technického servisu.
53	Potrubie spalín upchaté	Odpojte elektrické napájanie kotla na niekoľko sekúnd. V prípade, že porucha pretrváva, kontaktujte autorizovaný technický servis
55	Elektronická karta nie je nastavená	Zateľonujte do autorizovaného technického servisu.
83...87	Problém v komunikácii medzi kartou kotla a obslužnou jednotkou. Pravdepodobne došlo k skratu na kábloch.	Zateľonujte do autorizovaného technického servisu.
92	Porucha spalín počas fázy kalibrácie (pravdepodobná recirkulácia spalín)	Zateľonujte do autorizovaného technického servisu.
109	Výskyt vzduchu v okruhu kotla (dočasná porucha)	Zateľonujte do autorizovaného technického servisu.
110	Zároveň bezpečnostného termostatu z dôvodu prehriatia (pravdepodobné zablokovanie čerpadla alebo výskyt vzduchu vo vykurovacom okruhu).	Stlačte aspoň na 2 sekundy tlačidlo R
117	Príliš vysoký tlak hydraulického okruhu (> 2,7 bar)	Zateľonujte do autorizovaného technického servisu.
118	Príliš nízky tlak hydraulického okruhu	Overte, či tlak v systéme zodpovedá predpísanému tlaku. Vid' odsek NAPUSTENIE SYSTÉMU.
125	Bezpečnostný zároveň z dôvodu absencie obehu. (kontrola prostredníctvom teplotného snímača)	Stlačte aspoň na 2 sekundy tlačidlo R
128	Neexistuje plameň	Stlačte aspoň na 2 sekundy tlačidlo R
129	Strata plameňa pri zapnutí	Zateľonujte do autorizovaného technického servisu.
130	Zároveň sondy NTC spalín z dôvodu prehriatia	Stlačte aspoň na 2 sekundy tlačidlo R
133	Nedošlo k zapnutiu (5 pokusy)	Stlačte aspoň na 2 sekundy tlačidlo R

134	Plynový ventil zablokovaný	Stlačte aspoň na 2 sekundy tlačidlo R	
135	Interná chyba karty	Stlačte aspoň na 2 sekundy tlačidlo R	
154	Kontrolný test vstupného čidla/čidla spiatocky	Zatelefonujte do autorizovaného technického servisu.	
160	Porucha prevádzky ventilátora	Zatelefonujte do autorizovaného technického servisu.	
178	Zárok bezpečnostného termostatu kvôli prehriatiu na systéme s nízkou teplotou	Zatelefonujte do autorizovaného technického servisu.	
317	162	Chyba frekvencie elektrického napájania	Zatelefonujte do autorizovaného technického servisu.
321	163	Porucha snímača NTC TUV	Zatelefonujte do autorizovaného technického servisu.
384	164	Parazitný plameň (vnútorná porucha)	Stlačte aspoň na 2 sekundy tlačidlo R
385	165	Príliš nízke napájacie napätie	Keď napätie prekročí hodnotu 175V, k obnove dôjde automaticky. V prípade, že porucha pretrváva, kontaktujte autorizovaný technický servis.



Ak dôjde k poruche, zapne sa podsvietenie displeja a je zobrazený kód poruchy. Je možné vykonať 5 pokusov o reštart, potom sa kotol zablokuje. Pre ďalší pokus o reštart vyčkajte 15 minút.

5. MENU INFORMÁCIE O KOTLE

Pre zobrazenie informácií uvedených v nasledujúcej tabuľke stlačte aspoň na 1 sekundu tlačidlo **IRP**. Pre ukončenie stlačte tlačidlo **DIR**.

i	POPIS	i	POPIS
00	Interný sekundárny kód poruchy	06	Teplota spiatocky kúrenia (°C)
01	Teplota na vstupe do kúrenia (°C)	07	Teplota sondy spalín (°C)
02	Vonkajšia teplota (°C)	08	Teplota primárneho výmenníka (°C)
03	Teplota vody v externom zásobníku (modely na vykurovanie)	09 - 13	Informácia výrobcu
04	Teplota TUV (modely s doskovým výmenníkom)	14	Identifikácia komunikácie Open Therm
05	Tlak vo vykurovacom systéme (bar)	15 - 18	Informácia výrobcu

6. VYPNUTIE KOTLA

Ak chcete kotol vypnúť, prerušte prívod elektrického prúdu pomocou dvojpólového vypínača. V režime "Vypnuté-Protizámrazová ochrana" zostane kotol vypnutý, ale elektrické obvody kotla zostávajú pod napätím a je aktívna protizámrazová funkcia.

7. NAPUSTENIE SYSTÉMU

Je treba pravidelne kontrolovať tlak na tlakomere **B**, aby bol pri studenom systéme 1 - 1,5 bar. V prípade podtlaku zasiahnete pomocou napúšťacieho ventilu "A" vid' obr.

A	Napúšťací ventil kotla/ systému
B	Manometer



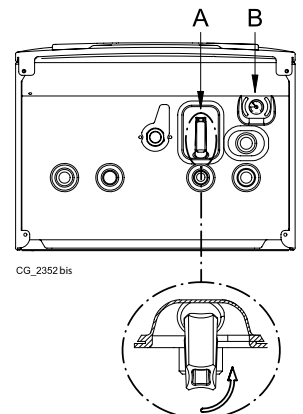
Odporúčame vykonať fázu napustenia vykurovacieho systému veľmi pozorne. Otvorte všetky termostatické hlavice umiestnené v systéme, nechajte pomaly natiect' vodu, aby sa do primárneho okruhu nedostal vzduch, až kým je dosiahnutý potrebný tlak pre prevádzku. Nakoniec odvzdušnite radiátory. De Dietrich nepreberá žiadnu zodpovednosť za škody spôsobené vzduchom, ktorý zostal v primárnom výmenníku vďaka nedodržaniu vyššie uvedených pokynov.



Kotol je vybavený manostatom, ktorý v prípade nedostatku vody zabráni chodu kotla.



Ak dochádza k častému poklesu tlaku vody, kontaktujte autorizovaný servis.



8. POKYNY PRE RIADNU ÚDRŽBU

Aby bola zaručená bezchybná prevádzka a bezpečnosť kotla, je nevyhnutné ku koncu každej sezóny zaistiť jeho prehliadku autorizovaným technickým servisom. Starostlivá údržba kotla prispieva k úspore nákladov na prevádzku celého systému.

UPOZORNENIE PRED INŠTALÁCIOU

Nasledujúce pokyny a poznámky sú určené pre inštalátorov, ktorým umožní vykonať bezchybnú inštaláciu. Pokyny týkajúce sa spustenia a prevádzky kotla sú obsiahnuté v tej časti návodu, ktorá je určená užívateľom.

Pripomíname tiež nasledujúce údaje:

- V prípade inštalácie zariadenia do prostredia s teplotou pod 0°C prijmite vhodné opatrenia, aby ste zabránili tvorbe ľadu v sifóne a odvode kondenzátu.
- Kotel môžete používať s akýmkoľvek typom konvektora, radiátora, termokonvektora s jedno alebo dvoj rúrkovým napájaním. Úseky okruhu budú v každom prípade vypočítané bežnými metódami, berúc do úvahy charakteristický prietok vody/výtlačnú výšku uvedenú na štítku a v odseku 16.
- Časti balenia (igelitové vrecká, polystyrén, atď.) nesmú byť ponechané v dosahu detí, pretože predstavujú prípadný zdroj nebezpečenstva.
- Prvé spustenie kotla musí byť vykonané pracovníkom autorizovaného technického servisu, ktoré sú uvedené v priloženom zozname.

Nedodržanie vyššie uvedených informácií so sebou nesie stratu záruky.

UPOZORNENIE - PRÍDAVNÉ ČERPADLO

V prípade, že budete chcieť v systéme vykurovania použiť prídavné čerpadlo, inštalujte ho do vratného okruhu kotla. Je to z dôvodu správnej prevádzky tlakového spínača.

UPOZORNENIE - SOLÁRNY SYSTÉM

V prípade pripojenia kotla s prietokovým ohrevom (kombinovaného) k systému so solárnymi panelmi, teplota TÚV na vstupe do kotla nesmie byť vyššia ako 60°C.



Časti balení (igelitové vrecká, polystyrén atď.) nesmú byť ponechané v dosahu detí, pretože môžu byť prípadným zdrojom nebezpečenstva.

9. INŠTALÁCIA KOTLA

Obrázok šablóny nájdete na konci návodu v prílohe „SECTION“ C.

Po stanovení presného umiestnenia kotla upevnite na stenu šablónu. Pri inštalácii začnite hydraulickými a plynovými prípojkami, ktoré sa nachádzajú na spodnej časti šablóny. Uistite sa, že zadná strana kotla je čo najviac zarovnaná so stenou (v opačnom prípade podložte dolnú časť). Na okruh vykurovania odporúčame nainštalovať dva uzatváracie ventily (prívodný/spätný) G3/4 dodávané na objednávku, ktoré v prípade dôležitých zásahov umožňujú manipuláciu bez potreby vypustenia celého systému vykurovania. V prípade už existujúcich systémov alebo v prípade výmen odporúčame okrem vyššie uvedeného postupu inštalovať na spätočke a na spodnej časti kotla vhodný filter na zachytávanie usadenín a nečistôt, ktoré sa môžu vyskytovať i po vyčistení a časom by mohli poškodiť jednotlivé časti kotla. Po upevnení kotla na stenu vykonajte pripojenie potrubia odvodu spalín a prisávania, ktoré je dodávané ako príslušenstvo ku kotlu vid' nasledujúce kapitoly. Spojte sifón s vypúšťacím otvorom a uistite sa o plynulom sklone odvodu kondenzátu. Vyvarujte sa toho, aby jednotlivé časti odvodu kondenzátu boli v horizontálnej polohe.



Nezdvíhajte zariadenie tak, že budete vyvíjať silu na plastové časti ako je sifón alebo vežička spalín.



Pozorne upevnite hydraulické prípojky kotla (coppia massima 30 Nm).



Pred uvedením kotla do prevádzky naplňte sifón vodou, aby ste zabránili rozšíreniu spalín do miestnosti.

9.1 PRÍSLUŠENSTVO SÚČASŤOU DODÁVKY

- Šablóna (pozri obrázok v prílohe "SECTION" C)
- Podpera na podporu kotla
- 8 mm hmoždinky a tlakové skrutky
- Hadica na odvod kondenzátu

PRÍSLUŠENSTVO dodané na požiadanie:

- Ventily nábehu/návratu vykurovania, ventil vstupu vody a teleskopické spoje
- Plynový ventil

9.2 ROZMERY KOTLA

Rozmery kotla a príslušné inštalačné výšky vodovodných prípojek sú uvedené na konci návodu v prílohe „SECTION“ C.

A	Odvod kondenzátu	D	Vstup plynu
B	Výstup do okruhu vykurovania	E	Vstup studenej ÚV / Napustenie systému
C	Výstup do okruhu TÚV (G1/2") / zásobník (G3/4")	F	Spätočka kúrenia

ČASŤ INŠTALATÉR (SK)

10. INŠTALÁCIA POTRUBIA ODVODU SPALÍN - PRISÁVANIA

Inštalácia kotla je ľahká a jednoduchá vďaka dodávanému príslušenstvu, ktorého popis nasleduje. Kotel je z výroby pripravený na pripojenie koaxiálneho potrubia odvodu spalín a prisávania, vertikálneho alebo horizontálneho typu. V prípade deleného oddymenia sa používa sada pre delené oddymenie.

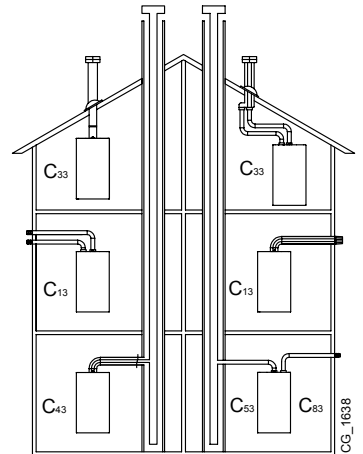
UPOZORNENIE

C13, C33 Výstupné otvory vyústených samostatných potrubí pre privádzanie spaľovacieho vzduchu a pre odvádzanie spalín musia byť umiestnené vo vnútri štvorca o strane 50 cm. Podrobné informácie nájdete pri jednotlivých častiach príslušenstva.

C53 Koncovky potrubia pre privádzanie spaľovacieho vzduchu a pre odvádzanie spalín nesmú byť umiestnené na protiľahlých stenách budovy.

C63 Maximálna tlaková strata nesmie prekročiť hodnotu **100 Pa**. Vedenie musí byť certifikované pre špecifické použitie a pre teplotu vyššiu ako 100°C. Kotel môže byť inštalovaný len so zariadením proti pôsobeniu vetra, ktoré je certifikované podľa normy 1856-1.

C43, C83 Komín alebo dymovod musia byť schválené k používaniu.



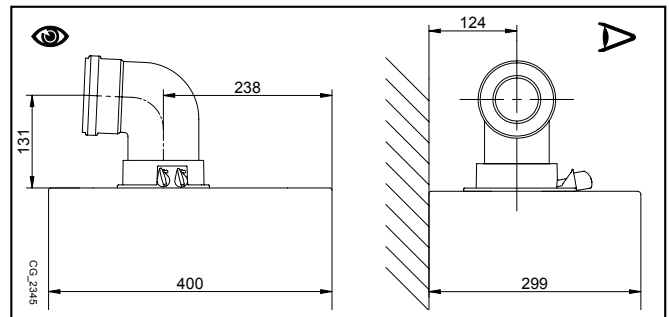
Pre vyššiu bezpečnosť prevádzky je nevyhnutné, aby bol výfuk spalín dobre upevnený na stenu pomocou príslušných upevňovacích svoriek. Svorky musia byť umiestnené vo vzdialenosti asi 1 meter jedna od druhej v blízkosti spojov.

Pozorne si prečítajte pokyny potrubí obsiahnuté v tomto návode a pokyny dodané s príslušenstvom. V prípade rozdielov musia byť dodržané pokyny potrubí tohto návodu.

10.1 KOAXIÁLNE POTRUBIA

Tento typ umožňuje odvod spalín a prisávanie spaľovacieho vzduchu ako mimo budovy, tak v dymovode typu LAS. Koaxiálne koleno 90° umožňuje pripojiť kotel k potrubiu odvodu spalín - prisávaniu akýmkoľvek smerom vďaka možnosti rotácie o 360°. Toto koleno môže byť používané tiež ako prídavné koleno potrubia odvodu spalín, potrubia prisávania alebo s kolenom 45°.

V prípade, že je potrubie odvodu spalín a prisávania vedené mimo budovu, musí vystupovať zo steny aspoň 18 mm, aby bolo možné umiestniť ružicu a utesniť ju proti presakovaniu vody.



- Pri vložení kolena 90° sa skraca celková dĺžka vedenia odvodu spalín a prisávania o 1 meter.
- Pri vložení kolena 45° sa skraca celková dĺžka vedenia odvodu spalín a prisávania o 0,5 metra.
- Prvé koleno 90° sa nezapočítava do maximálnej novej dĺžky.

Upevnite sacie hadičky pomocou dvoch pozinkovaných závitorezných skrutiek s Ø 4,2 mm a maximálnou dĺžkou 19 mm. Ak skrutky nie sú súčasťou dodávky, musíte si ich zakúpiť v obchode v súlade s uvedenými parametrami.



Pred upevnením skrutiek sa uistite, či je potrubie vložené do tesnenia v hĺbke aspoň 45 mm od okraja (viď obrázky na konci návodu v prílohe „SECTION“ D).



Je nutné dodržať minimálne spádovanie vedenia odvodu spalín smerom ku kotlu, musia byť 5 cm na meter dĺžky.



NIKOĽKO PRÍKLADOV POTRUBÍ ODVODU SPALÍN A PRÍSLUŠNÉ POVOLENÉ DĹŽKY SÚ K DISPOZÍCII NA KONCI NÁVODU V PRÍLOHE „SECTION“ D.

10.1.1 TYPOLÓGIA VÝFUKU C43P

Kolektívny dymovod s kladným tlakom pre kotly so spaľovacou komorou



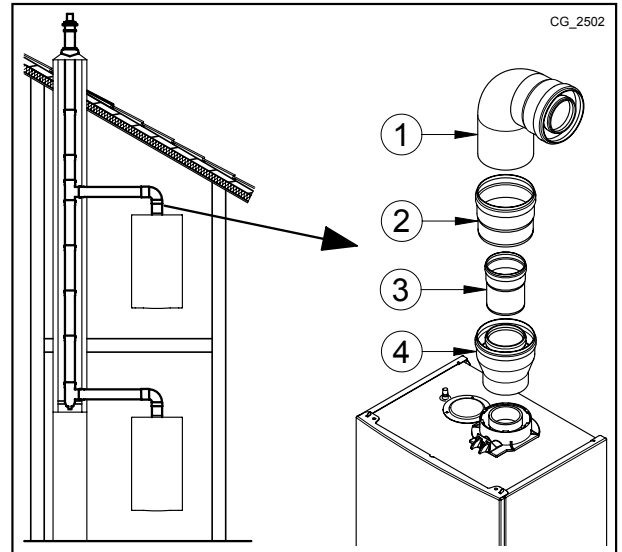
Tento typ inštalácie sa dá použiť len pri kotloch prevádzkovaných na zemný plyn (G20)

Na pripojenie kotla ku kolektívnemu dymovodu C43P je povinné pridať spätnú klapku. Nadimenzovanie dymovodu je realizované dodávateľom samotného potrubia v súlade s normou EN 13384-2.

1	Koleno 90° Ø 80/125 mm
2	Potrubie Ø 80/125 mm
3	Spätná klapka Ø 80 mm
4	Adaptér Ø 60/100 -> 80/125 mm

Pri tomto type inštalácie je treba upraviť parametre P71 a P72 elektronickej dosky tak, ako je to uvedené v tabuľke (pozri aj pokyny SERVICE).

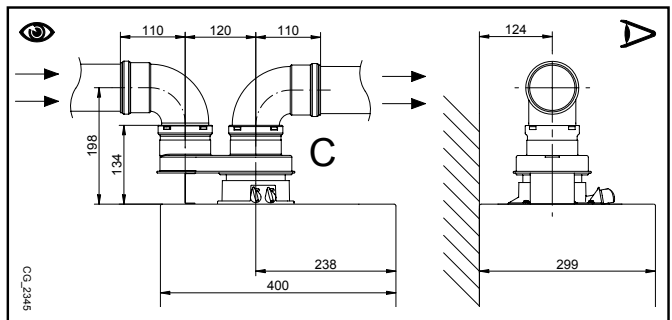
Po úprave parametrov je treba vykonať kalibráciu kotla v súlade s opisom v návode SERVICE.



Model	P72	P71
	Qmin - Tlak v komíne 25 Pa	Qmax - Tlak v komíne 86 Pa
MPX 24 - MPX 20/24 MI	85	130
MPX 24/28 MI	85	185
MPX 28/33 MI	85	180

10.2 ODDELENÉ POTRUBIA

Pre špeciálne inštalácie vedenia odvodu spalín a prisávania je možné použiť rozvojovací kus (príslušenstvo na objednávku) (C). Tento prvok umožňuje orientovať výfuk spalín i prisávanie akýmkoľvek smerom, a to vďaka možnosti rotácie o 360°. Tento typ umožňuje vedenie odvodu spalín a prisávania ako zvonku budovy, tak cez jednotlivé dymovody. Prisávanie spaľovacieho vzduchu môže byť vykonané v inom mieste, ako je vyústenie odvodu spalín. Rozvojovací kus je umiestnený na hrdle (100/60 mm) kotla a umožňuje spaľovaciemu vzduchu a spalínám vstupovať/vystupovať cez dve oddelené vedenia (80 mm). Bližšie informácie nájdete v návode pri príslušenstve. Koleno 90° umožňuje pripojiť kotol k potrubiu na odvod spalín a k saciemu potrubiu prispôbiac ho akýmkoľvek potrebám. Toto koleno môžete tiež použiť ako prídavné koleno v spojení s potrubím pre nasávanie alebo s kolenom 45°.



- Pri použití kolena 90° sa skracuje celková dĺžka potrubia o 0,5 metra.
- Pri použití kolena 45° sa skracuje celková dĺžka potrubia o 0,25 metra.
- Prvé koleno 90° nie je zahrnuté do výpočtu maximálnej dostupnej dĺžky.



NIEKOLKO PRÍKLADOV POTRUBÍ ODVODU SPALÍN A PRÍSLUŠNÉ POVOLENÉ DĹŽKY SÚ K DISPOZÍCII NA KONCI NÁVODU V PRÍLOHE „SECTION“ D.

11. ELEKTRICKÉ PRIPOJENIE

Elektrická bezpečnosť zariadenia je dosiahnutá len vtedy, keď je zariadenie správne pripojené na účinné uzemnenie, vykonané v súlade s platnými bezpečnostnými predpismi týkajúcimi sa zariadení. Kotel sa pripája do jednofázovej elektrickej napájacej siete s 230 V s uzemnením pomocou trojžilového kábla, ktorý je súčasťou vybavenia kotla, pričom je nevyhnutné dodržať polaritu Fáza– Nula.

Pripojenie uskutočnite pomocou dvojpólového vypínača s otvorením kontaktov aspoň na 3 mm.

V prípade výmeny napájacieho kábla musíte použiť harmonizovaný kábel „HAR H05 VV-F“ 3x0,75 mm² s maximálnym priemerom 8 mm. Poistky rýchleho typu 2A sú zabudované v napájacej svorkovnici (pri kontrole a/alebo výmene vyťahnite držiak poistky čiernej farby).

Otočte smerom nadol ovládaci skriňu a vstúpte do svorkovnic **M1** a **M2** určených na elektrické pripojenia tak, že odoberiete ochranný kryt.



Overte, či celková menovitá spotreba príslušenstva napojeného k zariadeniu nie je vyššia ako 2A. Ak presahuje túto hodnotu, je nevyhnutné vložiť medzi príslušenstvo a elektronickú dosku relé.



Svorkovnica M1 je pod vysokým napätím. Pred vykonaním pripojenia sa uistite, či kotel nie je elektricky napájaný.

SVORKOVNICA M1

(L) = Fáza (hnedá)

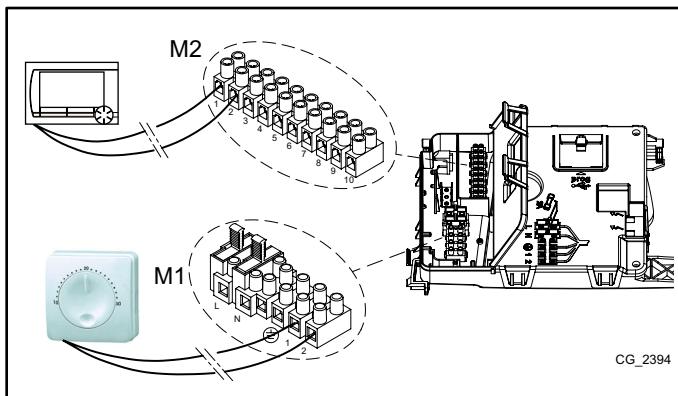
(N) = Nula (modrá).

⊕ = Uzemnenie (žlto-zelená).

(1) (2) = Kontakt pre Priestorový termostat.



Je nevyhnutné obnoviť mostík na svorkách 1-2 svorkovnice M1 kotla v prípade, že priestorový termostat nebude použitý alebo v prípade nepripojenia vzdialenej kontroly dodanej ako príslušenstvo.



SVORKOVNICA M2

Svorky 1 - 2: zapojenie Diaľkového Ovládania (nízke napätie), príslušenstvo na objednávku.

Svorky 4 - 5 : zapojenie Vonkajšej sondy (príslušenstvo na objednávku)

Svorky 3-6-7-8: nepoužívajú sa.

Svorky 9-10: pripojenie sondy zásobníka TUV.



Ak je k zariadeniu pripojené podlahové vykurovanie, inštalatér musí zaistiť bezpečnostný termostat pre ochranu proti prehrievaniu systému.



Pre umiestnenie pripojovacích káblov svorkovnic používajte príslušné otvory, ktoré sú v spodnej časti kotla.

11.1 PRIPOJENIE PRIESTOROVÉHO TERMOSTATU



Pripojenie na svorkovnicách M1 sú pod vysokým napätím(230 V). Pred samotným zapojením skontrolujte, že zariadenie nie je napájané elektrickým prúdom. Dodržujte polaritu v napájaní L (FÁZA) - N (NULA).

Pre zapojenie priestorového termostatu ku kotlu postupujte nasledovne:

- odpojte kotel z elektrickej siete;
- prístúpte ku svorkovnici **M1**;
- zložte mostík na konci kontaktov **1-2** a zapojte káble priestorového termostatu;
- zapojte kotel do elektrickej siete a uistite sa, že priestorový termostat funguje správne.

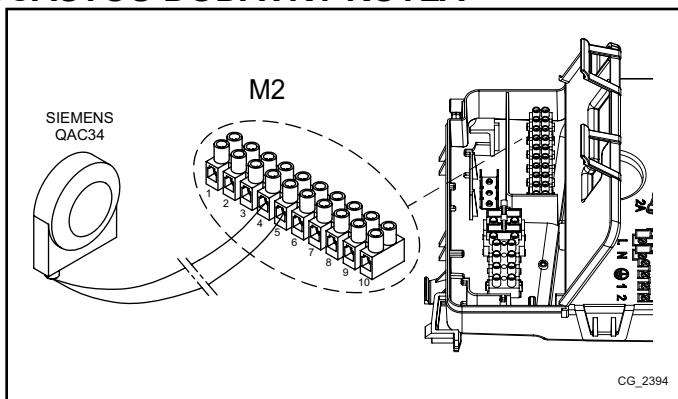
11.2 PRÍSLUŠENSTVO, KTORÉ NIE JE SÚČASŤOU DODÁVKY KOTLA

11.2.1 VONKAJŠIA SONDA

Pre zapojenie tohto príslušenstva viď obr. vedľa (svorky 4-5) a inštrukcie dodávané s vonkajšou sondou.

NASTAVENIE KLIMATICKEJ KRIVKY "Kt"

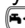

Keď je vonkajšia sonda napojená na kotel, reguluje prívodnú teplotu podľa nastaveného koeficientu **Kt**. Zvoľte si požadovanú krivku stlačením tlačidiel v súlade s uvedením v grafe v prílohe **SECTION E** a vyberte si tú najvhodnejšiu (od 00 do 90).



LEGENDA GRAFOV - „SECTION“ E

	Prívodná teplota		Vonkajšia teplota
--	------------------	--	-------------------

11.2.2 EXTERNÝ ZÁSOBNÍK




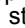
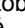

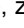
Kotol je elektricky pripravený na pripojenie externého bojlera. Hydraulické pripojenie externého bojlera je znázornené na obrázku v prílohe „SECTION“ F. Zapojte prednostnú sondu TUV NTC ku svorkám 9-10 svorkovnice M2. Citlivý prvok sondy NTC musí byť vložený do príslušnej šachty na samotnom bojleri. Overte, či výmenný výkon hadu bojlera je správny vzhľadom na výkon kotla. Teplotu úžitkovej vody (+35°C...+60°C) nastavíte pôsobením na tlačidlá  .

DÔLEŽITÉ UPOZORNENIE: nastavte parameter P03 = 05, ako je uvedené v kapitole 14.


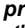
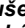




12. ŠPECIÁLNE FUNKCIE

12.1 UVEDENIE DO PREVÁDZKY

Počas prvého spustenia kotla je nutné vykonať nasledujúce kroky. Keď zapojíte kotol do elektrickej siete, na displeji sa zobrazí kód "000", zariadenie je pripravené na "prvé spustenie".

- Na 6 sekúnd stlačte súčasne tlačidlá   na displeji sa na 2 sekundy zobrazí nápis "On" hneď nasleduje kód "312" ktorý oznamuje, že funkcia "odvzdušnenie systému" je aktívna. Táto funkcia trvá 10 minút.
- Po ukončení funkcie sa kotol zapne, na displeji sa zobrazí kód "000" striedavo s hodnotou % výkonu pri zapálení a s teplotou (°C) na vstupe do kúrenia. V tejto fáze "funkcia určenia plynu", ktorá trvá asi 7 minút, je analyzovaný druh použitého plynu. Počas tejto funkcie zaistíte maximálnu tepelnú výmenu v systéme vykurovania a TUV (požiadavka TUV), aby nedošlo k vypnutiu kotla z dôvodu prehriatia.
- Pokiaľ je kotol v prevádzke na zemný plyn, na displeji sa asi na 10 sekúnd zobrazí NG. Kotol je teraz pripravený na normálnu prevádzku. Pokiaľ je na displeji zobrazené LPG, stlačte súčasne tlačidlá  &  aspoň na 4 sekundy pre ukončenie bez zmien v nastavení z výroby.
- Pokiaľ je kotol napájaný propánom, na displeji sa zobrazí LPG. Stlačte aspoň na 6 sekúnd tlačidlo  pre potvrdenie používaného plynu. Pokiaľ je na displeji zobrazené NG, pretože nebol identifikovaný používaný plyn, stlačte súčasne tlačidlá  &  aspoň na 4 sekundy pre ukončenie funkcie, zmeňte parameter P02=01 viď popis v kapitole "NASTAVENIE PARAMETROV" v návode ku kotlu.




Pokiaľ dôjde k prerušeniu funkcie z dôvodu odpojenia z elektrickej siete, pri obnovení je nutné opäť aktivovať funkciu súčasným stlačením tlačidiel   aspoň na 6 sekúnd. Pokiaľ sa počas funkcie odvzdušnenia na displeji zobrazí chyba E118 (nizky tlak v hydraulickom okruhu), pomocou napúšťacieho ventilu dosiahnete požadovaný tlak. Pokiaľ dôjde k prerušeniu funkcie nastavenia plynu kvôli poruche (napr. E133 nedostatok plynu) stlačte tlačidlo  pre reštart, potom stlačte súčasne tlačidlá   (aspoň na 6 sekúnd) pre opätovné aktivovanie funkcie. Pokiaľ dôjde k prerušeniu funkcie nastavenia plynu kvôli prehriatiu, je nutné funkciu opäť aktivovať súčasným stlačením tlačidiel   aspoň na 6 sekúnd.

Z výroby je spaľovacie zariadenie skontrolované a nastavené na prevádzku na zemný plyn.

Počas funkcie Kontrola druhu plynu sa pomer spaľovania na krátku chvíľu zvýši, medzitým dôjde k určeniu typu plynu.





Behom uvedenia do prevádzky, dokiaľ nie je odstránený vzduch z plynových trubiek, nemusí dôjsť k zapáleniu horáku a kotol sa následne zablokuje. Pre obnovenie prevádzky kotla stlačte tlačidlo  aspoň na 2 sekundy.



Prvé spustenie hneď po inštalácii nemusí byť optimálne, systém vyžaduje čas pre optimalizáciu.

12.2 FUNKCIE ODVZDUŠNENIA SYSTÉMU




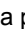
Táto funkcia umožňuje ľahké odstránenie vzduchu vo vnútri systému vykurovania, keď je kotol uvádzaný do prevádzky alebo v prípade vypustenia vody z primárneho okruhu kvôli údržbe.

Pre aktivovanie funkcie odvzdušnenie systému stlačte súčasne tlačidlá   na 6 sekúnd. Keď je funkcia aktívna, objaví sa na displeji na niekoľko sekúnd nápis On, potom programovací riadok 312.

Elektronická doska aktivuje cyklus zapnutie/vypnutie čerpadla po dobu 10 minút. Funkcia sa automaticky vypne na konci cyklu. Pre manuálne ukončenie tejto funkcie stlačte opäť súčasne vyššie uvedené tlačidlá po dobu 6 sekúnd.

12.3 FUNKCIA KOMINÁR

Táto funkcia privedie kotol na **maximálny výkon** pre vykurovanie. Keď je funkcia aktívna, je možné nastaviť úroveň % výkonu kotla od minimálneho po maximálny výkon pre TUV. Postup je nasledovný:

- Stlačte súčasne tlačidlá   aspoň na 6 sekúnd. Ak je funkcia aktívna, na displeji sa na niekoľko sekúnd zobrazí nápis "On", ďalej sa objaví programovací riadok "303" striedavo s hodnotou % výkonu kotla.
- Pomocou tlačidiel   sa vykonáva postupné nastavenie výkonu (citlivosť 1%).
- Pre ukončenie stlačte súčasne na 6 sekúnd tlačidlá viď popis v prvom bode.



Stlačením tlačidla  je možné na 15 sekúnd zobrazit' okamžitú hodnotu teploty na výstupe.

12.4 KONTROLA SPALOVANIA (CO₂)

Pre správnu prevádzku kotla musí obsah CO₂-O₂ v spalinách spĺňať hodnoty uvedené v nasledujúcej tabuľke. Ak je nameraná hodnota CO₂-O₂ iná, skontrolujte elektródy a ich vzdialenosť. Ak je treba, vymeňte elektródy a správne ich umiestnite. Ak sa tým problém nevyrieši, použite nasledujúcu funkciu.

		G20		G31	
		CO ₂ %	O ₂ %	CO ₂ %	O ₂ %
Maximálny výkon	Menovitá hodnota	8,7	5,4	10,0	6,0
	Povolená hodnota	8,2 - 9,3	6,3 - 4,3	9,5 - 10,5	6,8 - 5,2
Výkon zapnutia	Menovitá hodnota	8,7	5,4	10,8	4,8
	Povolená hodnota	8,2 - 9,3	6,3 - 4,3	10,3 - 11,3	5,5 - 4,1
Minimálny výkon	Menovitá hodnota	8,8	5,2	10,0	6,0
	Povolená hodnota	8,2 - 9,3	6,3 - 4,3	9,5 - 10,5	6,8 - 5,2



Meranie spalin musí byť vykonávané pomocou kalibrovaného analyzátora.



Behom bežnej prevádzky kotol vykonáva automatické kontroly spaľovania. V tejto fáze je možné behom krátkych okamžikov zistiť hodnoty CO vyššie než 500 ppm.

FUNKCIA ÚPRAVA SPALOVANIA (CO₂%)

Táto funkcia vykonáva čiastočné nastavenie hodnôt CO₂%. Postup je nasledovný:

- stlačte súčasne tlačidlá aspoň na 6 sekúnd. Ak je táto funkcia aktívna, na displeji sa na niekoľko sekúnd zobrazí nápis "On" nasleduje programovací riadok "304" striedavo s hodnotou % výkonu kotla
- Po zapálení horáku kotla je kotol privedený na maximálny výkon TUV (100). Keď sa na displeji zobrazí "100", je možné vykonať čiastočnú úpravu hodnoty CO₂ %;
- stlačte tlačidlo na displeji sa zobrazí "00" striedavo s číslom funkcie "304" (symbol bliká);
- pomocou tlačidiel znížite alebo zvýšite obsah CO₂ (od -3 do +3).
- stlačte tlačidlo pre uloženie novej hodnoty a pre návrat k zobrazeniu hodnoty výkonu "100" (kotol je ďalej v prevádzke s max. výkonom pre TUV).

Tento postup je možné tiež použiť pre nastavenie obsahu CO₂ pre **výkon pri zapálení** a pre **minimálny výkon** pomocou tlačidiel po bode 5 v predchádzajúcom popise.

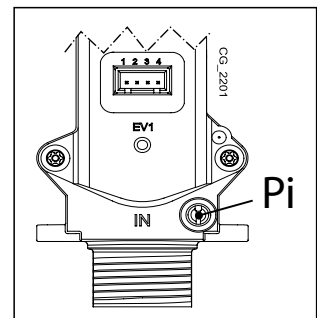
- Po uložení novej hodnoty (bod 5), stlačte tlačidlo privedte tak kotol **k výkonu zapálenia**. Počkajte, až bude hodnota CO₂ stabilná, pokračujte v regulácii vid' popis v bode 4 (hodnota výkonu je číslo <> 100 a <> 0) takže uložte (bod 5).
- stlačte opäť tlačidlo , kotol sa dostane na min. výkon. Počkajte, dokiaľ nebude hodnota CO₂ stabilná, pokračujte v regulácii vid' popis v bode 4 (hodnota výkonu = 00);
- pre ukončenie funkcie stlačte aspoň na 6 sekúnd tlačidlá vid' popis v bode 1.

13. PLYNOVÁ ARMATÚRA

Na tomto zariadení nie je treba vykonávať žiadne mechanické nastavenia ventila. Systém sa sám prispôsobí elektronicky.

Legenda k plynovej armatúre

Pi
Vstup prívodu plynu



13.1 SPÔSOB VÝMENY PLYNU

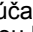
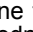

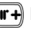
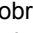
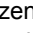
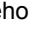
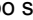

Iba autorizované servisné stredisko môže upraviť prevádzku kotla zo **ZEMNÉHO PLYNU** na **LPG** alebo naopak. Za účelom kalibrácie musíte nastaviť parameter **P02** v súlade s opisom v kapitole NASTAVENIE PARAMETROV. Nakoniec overte spaľovania v súlade s opisom v kapitole ZVLÁŠTNE FUNKCIE - KONTROLA SPALOVANIA.



Po dokončení výmeny plynu odporúčame uviesť typ použitého plynu na výrobný štítok.

14. NASTAVENIE PARAMETROV

Pre naprogramovanie parametrov elektronickej dosky kotla postupujte podľa nasledujúcich inštrukcií:

- Stlačte súčasne tlačidlá   a držte stlačené 6 sekúnd, až sa na displeji zobrazí programovací riadok "P01" striedavo s nastavenou hodnotou;
- Pomocou tlačidiel   môžete listovať v zozname parametrov;
- Stlačte tlačidlo , hodnota zobrazeného parametra začne blikať, pomocou tlačidiel   upravíte hodnotu;
- Stlačte tlačidlo  pre potvrdenie hodnoty alebo stlačte tlačidlo  pre ukončenie bez uloženia.



Ďalšie informácie o parametroch uvedených v nasledujúcej tabuľke nájdete v návodoch u príslušenstva.



V prípade inštalácie s podlahovým systémom nastavte parameter P16 (Kotla) alebo P15 (Diaľkového ovládania) = 01.

Kotla	Diaľkového ovládania*	POPIS PARAMETROV	NASTAVENIE Z VÝROBY			
			24	20/24 MI	24/28 MI	28/33 MI
P01	P00	Informácie o výrobcovi	01			
P02	P01	Typ používaného plynu 00 = ZEMNÝ PLYN (metán) - 01 = LPG	00			
P03	P02	Hydraulický systém 00 = kotol s prietokovým ohrevom 03 = kotol s prietokovým ohrevom s funkciou predohrevu 05 = kotol s externým zásobníkom 08 = kotol len na vykurovanie	08	00	00	00
P04	P03	Nastavenie programovateľného relé 1 (Vid' pokyny pre SERVICE)	02			
P05	P04	Nastavenie programovateľného relé 2 (Vid' pokyny pre SERVICE)	04			
P06	P05	Konfigurácia vstupu vonkajšej sondy (Vid' pokyny pre SERVICE)	00			
P07..P09	P06..P08	Informácie o výrobcovi	--			
P10	P09	Nastavenie hodnoty teploty vykurovania (Vzdialená kontrola - Open Therm / Priestorový termostat 230V~) 00 =hodnota teploty je tá, ktorá je nastavená na Vzdialenej kontrole 01 =hodnota teploty je tá, ktorá je vyššia medzi Vzdialenou kontrolou a PCB 02 =hodnota teploty je tá, ktorá je nastavená na Vzdialenej kontrole Priestorový termostat aktivuje/deaktivuje prevádzku kotla	00			
P11..P12	P10..P11	Informácie o výrobcovi	--			
P13	P12	Max. výkon v okruhu vykurovania (0-100 %)	100	80	86	80
P14	P13	Max. výkon v okruhu TÚV (0-100%)	100			
P15	P14	Min. výkon v okruhu vykurovania (0-100 %)	00			
P16	P15	Nastavenie maximálnej teploty vykurovania (°C) 00 = 85 °C - 01 = 45 °C	00			
P17	P16	Doba dodatočného obehu čerpadla v režime vykurovania (01-240 minút)	03			
P18	P17	Doba čakania v režime vykurovania pred novým zapnutím (00-10 minút) - 00=10 sekúnd	03			
P19	P18	Informácie o výrobcovi	07			
P20	P19	Doba dodatočného obehu čerpadla v režime TÚV (sekundy)	30			
P21	P20	Antibakteriálna funkcia (°C) 00...54 =Deaktivovaná - 55...67 =Aktivovaná (nastavte požadovanú hodnotu teploty)	00			
P22	P21**	Informácie o výrobcovi	00			
P23	P22	Maximálna teplota nastavenia TÚV (ACS)	60			
P24	P23	Informácie o výrobcovi	35			
P25	P24	Ochranné zariadenie pre prípad prerušenia dodávky vody	00			
P26..P31	P25..P30	Informácie o výrobcovi	--			
P32..P41	P31..P40	Diagnostika (Vid' pokyny pre SERVICE)	--			
P67	P66	Nastavenie Open Therm (OT) (Vid' pokyny pre SERVICE) 02 = Open Therm Standard	02			

* Verzia modulačného diaľkového ovládania musí byť aspoň 2.8

** Prostredníctvom modulačného diaľkového ovládania sa nedá dostať k nastaveniam inštalatéra

14.1 REGULÁCIA MAXIMÁLNEHO VÝKONU VYKUROVANIA

Je možné znížiť maximálny výkon v režime vykurovania kotla podľa potrieb pripojeného vykurovacieho systému. V nasledujúcej časti je uvedená tabuľka s hodnotami parametra **P13** v závislosti od maximálneho výkonu požadovaného na každom jednom modeli kotla

Pri vstupe a zmene hodnoty parametra **P13** postupujte podľa opisu v kapitole NASTAVENIE PARAMETROV.

Model kotla - PARAMETER P13 (%) / Výkon v okruhu kúrenia (kW)

kW	24	20/24 MI	24/28 MI	28/33 MI
3,5	0	0		
4	2	2	0	
5	7	7	4	0
6	12	12	8	4
7	17	17	13	7
8	22	22	17	11
9	27	27	21	14
10	32	32	25	18
12	41	41	33	25
14	51	51	42	32
16	61	61	50	39
18	71	71	58	46
20	80	80	67	54
22	90		75	61
24	100		86	68
26				75
28				80

15. ZISŤOVANIE A VYRIEŠENIE PORÚCH SERVICE

Poruchy na displeji sú označené symbolom **E** a číslom (kód poruchy). V nasledujúcej tabuľke nájdete zoznam porúch.

Ak sa na displeji zobrazí symbol **R** užívateľ musí poruchu resetovať.

Pre reštartovanie kotla stlačte tlačidlo **(ON)**. Ak sa niektorá chyba opakuje často, kontaktujte autorizovaný servis.

E	Popis poruchy	Zásah Service
09	Chyba pripojenia plynového ventilu	Overte pripojenia plynovej armatúry s elektronickou doskou.
10	Porucha čidla vonkajšej sondy	Skontrolujte čidlo (*).
12	Nedošlo k prepnutiu diferenciálneho hydraulického snímača tlaku	Skontrolujte správnu prevádzku snímača tlaku a káblovanie.
13	Zlepené kontakty diferenciálneho hydraulického snímača tlaku	Vid' zásahy uvedené v E12
15	Chyba ovládača plynového ventilu	Overte pripojenia plynovej armatúry s elektronickou doskou. V prípade potreby vymeňte elektronickú dosku.
18	Prebieha automatické napĺňanie hydraulického obvodu	Počkajte na dokončenie cyklu napĺňania.
19	Porucha vo fáze napĺňania systému	Skontrolujte ventil pre naplnenie.
20	Porucha čidla NTC vstupu	Skontrolujte čidlo (**). Overte spojenie káblov čidla. Overte, či nedošlo ku skratu káblov.
28	Porucha čidla NTC spalín	Skontrolujte čidlo NTC spalín (***) Overte spojenie káblov čidla. Overte, či nedošlo ku skratu káblov.
40	Porucha čidla NTC spiatocky	Vid' zásahy uvedené v E20
50	Porucha čidla NTC TUV (len pre model s vykurovaním pomocou zásobníka)	Vid' zásahy uvedené v E20
53	Potrubie spalín upchaté	Skontrolujte, či vypúšťacia hadica nie je upchatá. Odpojte elektrické napájanie kotla na niekoľko sekúnd.
55	Elektronická karta nie je nastavená	Aktívujte funkciu automatickej kalibrácie opísanú v inštrukčnom liste náhradných dielov.
83...87	Problém v komunikácii medzi doskou kotla a obslužnou jednotkou. Pravdepodobne došlo k skratu na kábloch.	Skontrolujte káblovanie medzi Priestorovým Prístrojom a elektronickou doskou alebo spojkou RF.

92	Porucha spalín počas fázy kalibrácie (pravdepodobná recirkulácia spalín)	Skontrolujte prípadné recirkulácie spalín. Aktivujte funkciu automatickej kalibrácie opísanú v odseku ROČNÁ ÚDRŽBA - VÝMENA KOMPONENTOV.	
109	Výskyt vzduchu v okruhu kotla (dočasná porucha)	Overte prevádzku čerpadla. Overte napájacie káble čerpadla.	
110	Zárok bezpečnostného termostatu z dôvodu prehriatia (pravdepodobné zablokovanie čerpadla alebo výskyt vzduchu vo vykurovacom okruhu).	Overte prevádzku čerpadla. Overte napájacie káble čerpadla Overte integritu limitného termostatu a prípadne ho vymeňte Overte spojenie káblov limitného termostatu	
117	Príliš vysoký tlak hydraulického okruhu (> 2,7 bar)	Overte, či tlak v systéme zodpovedá predpísanému tlaku Vid' odsek NAPUSTENIE SYSTÉMU.	
118	Príliš nízky tlak hydraulického okruhu	Ak je tlak okruhu CH <0,5 bar, naplňte systém (vid' odsek NAPLNENIE SYSTÉMU). Overte správnu prevádzku hydraulického snímača tlaku	
125	Bezpečnostný zásah kvôli nedostatočnej cirkulácii. (kontrola prostredníctvom teplotného čidla)	Vid' zásahy uvedené v E109	
128	Strata plameňa	Skontrolujte integritu elektródy pre kontrolu plameňa a jej polohu (vid' odsek ROČNÁ ÚDRŽBA - UMIESTNENIE ELEKTRÓD). Overte spojenie kábla a správny kontakt s elektródou pre kontrolu plameňa a so zapaľovačom. Vid' zásahy uvedené v E92	
129	Strata plameňa pri zapnutí	Skontrolujte integritu elektródy pre kontrolu plameňa a jej polohu (vid' odsek ROČNÁ ÚDRŽBA - UMIESTNENIE ELEKTRÓD). Overte spojenie kábla a správny kontakt s elektródou pre kontrolu plameňa a so zapaľovačom. Skontrolujte prípadné recirkulácie spalín.	
130	Zásah sondy NTC spalín kvôli prehriatiu	Overte tepelnú výmenu výmenníka vody/ spalín: možná nedostatočná cirkulácia alebo výskyt vodného kameňa. Skontrolujte čidlo NTC spalín (***).	
133	Nedošlo k zapnutiu (5 pokusy)	Overte, či je uzatvárací ventil plynu otvorený a žiadny vzduch v plniacom okruhu plynu. Overte plniaci tlak plynu. Overte spojenie kábla a správny kontakt s elektródou pre kontrolu plameňa a so zapaľovačom. Vid' zásahy uvedené v E92 Overte správnu prevádzku odvodu kondenzátu.	
134	Plynový ventil zablokovaný	Overte plniaci tlak plynu. Skontrolujte integritu a polohu elektród pre kontrolu plameňa a zapnutie, a jej káblovanie (vid' odsek ROČNÁ ÚDRŽBA - UMIESTNENIE ELEKTRÓD). V prípade potreby vymeňte elektronickú dosku.	
135	Interná chyba karty	Vymeňte elektronickú dosku.	
154	Kontrolný test vstupného čidla/čidla spiatocky	Vid' zásahy uvedené v E109	
160	Porucha prevádzky ventilátora	Overte správnu prevádzku ventilátora. Overte, či sú napájacie káble ventilátora pripojené k elektronickej doske.	
178	Zárok bezpečnostného termostatu kvôli prehriatiu na systéme s nízkou teplotou	Overte správnu prevádzku čerpadla a cirkuláciu vody v systéme s nízkou teplotou. Overte napájacie káble čerpadla.	
317	162	Chyba frekvencie elektrického napájania	Overte, či je nesprávna frekvencia elektrického napájania spôsobená príčinami mimo kotla; v danom prípade kontaktujte dodávateľa elektrickej energie.
321	163	Porucha čidla NTC TUV	Vid' zásahy uvedené v E20
384	164	Parazitný plameň (vnútorná porucha)	Skontrolujte správnu prevádzku plynovej armatúry.
385	165	Príliš nízke napájacie napätie	Napájacie napätie V<175V. Overte, či sú poklesy napájania spôsobené príčinami mimo kotla; v danom prípade kontaktujte dodávateľa elektrickej energie.

CH = okruh vykurovania.

(*) Vonkajšia sonda: hodnota odolnosti voči zime asi 1 kΩ @ 25°C (odolnosť klesá so zvyšovaním teploty).

(**) Čidlo NTC vstupu, spiatocky a TUV: hodnota odolnosti voči zime asi 10 kΩ @ 25°C (odolnosť klesá so zvyšovaním teploty).

(***) Čidlo NTC spalín: hodnota odolnosti voči zime asi 20 kΩ @ 25°C (odolnosť klesá so zvyšovaním teploty).



Ak dôjde k poruche, zapne sa podsvietenie displeja a je zobrazený kód poruchy. Je možné vykonať 5 pokusov o reštart, potom sa kotol zablokuje. Pre ďalší pokus o reštart vyčkejte 15 minút.

16. BEZPEČNOSTNÉ A REGULAČNÉ PRVKY

Kotol je konštruovaný tak, aby jeho prevádzka zodpovedala všetkým platným normám a predpisom. Obsahuje nasledujúce komponenty:

- **Bezpečnostný termostat**

Tento prvok, ktorého senzor je umiestnený na výstupe do vykurovania, preruší prívod plynu k horáku v prípade prehriatia vody v primárnom okruhu.

⊘ Je zakázané vyradiť z prevádzky tento bezpečnostný prvok

- **Sonda NTC spalín**

Tento prvok je umiestnený na primárnom výmenníku. V prípade prehriatia zablokuje elektronická doska prísun plynu k horáku.

⊘ Je zakázané vyradiť z prevádzky tento bezpečnostný prvok

- **Ionizačná elektróda kontroly plameňa**

Ionizačná elektróda zaručuje bezpečnosť v prípade nedostatku plynu alebo neúplného zapálenia hlavného horáku. Za týchto podmienok sa kotol zablokuje.

- **Tlakový spínač**

Tento prvok umožňuje zapálenie hlavného horáku len vtedy, ak je tlak v systéme vyšší než 0,5 bar.

- **Dobeh čerpadla**

Dobeh čerpadla je riadený elektronicky, trvá 3 minúty a je aktivovaný, vo funkcii vykurovania, až po vypnutí hlavného horáku kvôli zásahu priestorového termostatu.

- **Protizámrazová ochrana**

Elektronické ovládanie kotla je vybavené protizámrazovou funkciou v okruhu vykurovania a TUV, ktorá pri teplote na výstupe nižšej než 5 °C spustí horák, až dosiahne hodnotu na výstupe 30 °C. Táto funkcia je aktívna, pokiaľ je kotol napájaný elektricky, má prívod plynu a je dodržaný predpísaný tlak v systéme.

- **Funkcia proti zablokovaniu čerpadla**

Pokiaľ nie je požiadavka na vykurovanie a/alebo TUV po dobu 24 hodín, čerpadlo sa automaticky spustí na 10 sekúnd.

- **Funkcia proti zablokovaniu trojcestného ventilu**

Pokiaľ nie je požiadavka na vykurovanie alebo TUV po dobu 24 hodín, dôjde k zopnutiu trojcestného ventilu.

- **Hydraulický poistný ventil (okruh vykurovania)**

Tento prvok, nastavený na 3 bar, slúži pre vykurovací okruh. Odporúčame pripojiť poistný ventil k odpadu so sifónom. Je zakázané ho používať ako prostriedok pre vypustenie vykurovacieho okruhu.

- **Pretočenie čerpadla okruhu vykurovania**

V prípade požiadavky na vykurovanie môže zariadenie vykonať pretočenie čerpadla ešte pred zapálením horáku. Doba trvania závisí na prevádzkovej teplote a na podmienkach inštalácie a trvá od niekoľko sekúnd až po niekoľko minút.

17. ÚDAJE O PRIETOKU/VÝTLAČNEJ VÝŠKE KOTLA

Použitý typ čerpadla sa vyznačuje vysokou výtláčnou výškou, ktorý môžete použiť na akomkoľvek type systému vykurovania, či už jednorúrkovom alebo dvojrúrkovom. Automatický odvzdušňovací ventil, zabudovaný v telese čerpadla, umožňuje rýchle odvzdušnenie systému vykurovania.

LEGENDA GRAF ČERPADLA - „SECTION“ E

Q	PRIETOK	MIN	Minimálna rýchlosť modulácie
H	VÝTLAČNÁ VÝŠKA	MAX	Maximálna rýchlosť modulácie

18. ROČNÁ ÚDRŽBA



Ak je kotol v prevádzke, vyčakajte až spaľovacia komora schladne.



Pred vykonaním akéhokoľvek zásahu skontrolujte, či kotol nie je napájaný z elektrickej siete. Po dokončení údržby skontrolujte, či majú parametre pôvodné nastavenia.



Čistenie zariadenia nesmie byť vykonané brúsny, agresívnym alebo ľahko horľavým materiálom (napr. benzínom, acetónom, atď.).

Pre zaistenie optimálnej účinnosti kotla je nevyhnutné raz ročne vykonávať nasledujúce kontroly:

- Kontrola stavu tesnosti tesnenia plynovej a spaľovacej časti. Vymeňte opotrebované tesnenia za nové a originálne náhradné diely;
- Kontrola stavu a správneho umiestnenia zapaľovacej a ionizačnej elektródy;
- Kontrola stavu horáku a jeho správne umiestnenie;
- Kontrola eventuálnych nečistôt vo vnútri spaľovacej komory. Pri čistení použite vysávač;
- Kontrola tlaku vo vykurovacom systéme;
- Kontrola tlaku v expanznej nádobe;
- Kontrola správnej prevádzky ventilátora;
- Kontrola vedenia odvodu spalín a satia, či nie sú upchané;
- Kontrola eventuálnych nečistôt vo vnútri sifónu (pre kondenzačné kotly);
- Kontrola anódy u kotlov so zabudovaným zásobníkom.

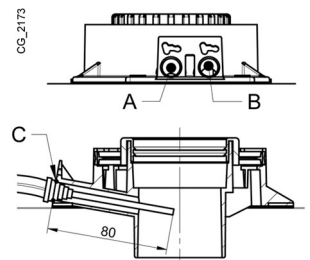


Na vyprázdnenie a vyčistenie sifónu neodporúčame používať servisnú zátku nachádzajúcu sa na jeho dne. Vyberte sifón z vnútornej časti kotla a vyčistite ho prúdom vody. Naplňte sifón čistou vodou a vráťte ho späť, pričom venujte pozornosť zaisteniu všetkých pripojení.

18.1 PARAMETRE SPAĽOVANIA

Kotol je vybavený 2 vstupmi, ktoré slúžia pre meranie účinnosti spaľovania a hygienickej nezávadnosti spalín. Jeden vstup je do spalínovej cesty (A), pomocou ktorého je možné kontrolovať hygienickú nezávadnosť a účinnosť spaľovania. Druhý vstup je na nasávaní spaľovaného vzduchu (B), kde je možné v prípade koaxiálneho oddymenia kontrolovať, či nedochádza ku spätnej cirkulácii spalín. Na spalínovej ceste môžu byť kontrolované nasledujúce parametre:

- teplota spalín;
- koncentrácia kyslíku (O_2) alebo popr. oxidu uhličitého (CO_2);
- koncentrácia oxidu uhoľnatého (CO).



Teplota spaľovaného vzduchu musí byť meraná na vstupe nasávania vzduchu (B) vložení sondy NTC s dĺžkou cca 8 cm (C).



Aktivácia funkcie "KOMINÁR" vid' kapitola 12.3.

18.2 HYDRAULICKÁ JEDNOTKA

V miestach, kde tvrdosť vody prekračuje hodnotu 20 °F (1°F = 10 mg uhličitanu vápenatého na liter vody) odporúčame nainštalovať dávkovač polyfosfátov alebo systém s rovnakým účinkom, ktorý zodpovedá platným normám.

LEGENDA - "SECTION" F

A	Upevňovacie skrutky výmenníka TÚV
B	Prednostný snímač TÚV s filtrom
C	Ventil pre vypustenie kotla/systému (C-1 & C-2: vstup k ventilu C - spodná strana kotla)
D	Ventil pre napustenie kotla/systému
E	Teplotná sonda NTC TÚV
F	Tlakový snímač vody v okruhu vykurovania

18.2.1 ČISTENIE FILTRA STUDENEJ VODY

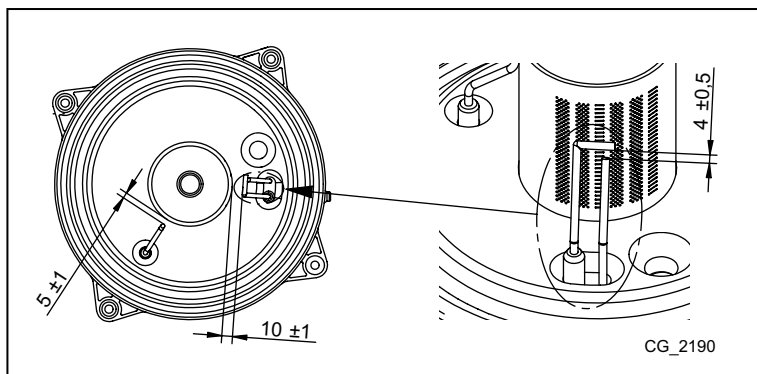
Kotol je vybavený filtrom studenej vody, ktorá je umiestnená na hydraulickej jednotke (B). Pri čistení postupujte podľa nasledujúcich pokynov:

- Vypustite vodu z okruhu TÚV.
- Odskrutkujte maticu na jednotke prednosti TÚV
- Vyjmite senzor s príslušným filtrom.
- Odstráňte prípadné nečistoty.



V prípade výmeny a/alebo čistenia O-kružkov "OR" hydraulickej jednotky nepoužívajte ako mazivá ropné oleje alebo tuky, ale iba prípravok Molykote 111.

18.3 UMIESTNENIE ELEKTRÓD



18.4 VÝMENA DIELOV

V prípade výmeny niektorého z týchto komponentov:




- Primárny výmenník
- Ventilátor
- Plynová armatúra
- Plynová tryska
- Horák
- Kontrolná elektróda

Je nutné aktivovať Automatické nastavenie, viď nasledujúci popis, následne potom skontrolujte a prípadne nastavte hodnotu CO₂%, viď popis v kapitole "FUNKCIA ÚPRAVA SPALOVANIA (CO₂%)".





Pokiaľ dôjde k zásahu na zariadení, odporúčame skontrolovať stav a umiestnenie kontrolnej elektródy a pokiaľ je poškodená vymeniť ju.



FUNKCIA AUTOMATICKÉ NASTAVENIE

Aspoň na 6 sekúnd stlačte súčasne tlačidlá  , keď sa na displeji zobrazí nápis "On" stlačte tlačidlo  (do 3 sekúnd po stlačení dvoch tlačidiel).



Pokiaľ sa na displeji zobrazí hlásenie "303", funkcia automatické nastavenie nebola aktivovaná. Na pár sekúnd odpojte kotol z elektrickej siete a zopakujte vyššie uvedený postup.

Keď je funkcia aktívna, na displeji sa zobrazia blikajúce symboly  .

Po sérii zapálenia, ku ktorému môže dôjsť i po niekoľkých pokusoch, kotol vykoná 3 operácie (každá trvá asi minútu), najskôr dosiahne maximálny výkon, potom výkon pri zapálení a nakoniec minimálny výkon. Než kotol prejde do ďalšej fázy (od maximálneho výkonu po výkon pri zapálení a potom k minimálnemu výkonu), na displeji sa na niekoľko sekúnd zobrazia symboly  . Počas tejto fázy displej zobrazuje striedavo úroveň dosiahnutého výkonu kotla a teplotu na výstupe.

Pokiaľ na displeji blikajú súčasne symboly   znamená to, že funkcia nastavenia je ukončená.

Pre výstup z funkcie stlačte tlačidlo , na displeji je zobrazený nápis **ESC**.

19. ODINŠTALOVANIE, LIKVIDÁCIA A RECYKLÁCIA



Len kvalifikovaní technici majú povolené zasahovať do zariadenia a systému.

Skôr ako zariadenie odinštalujete, uistite sa o odpojení elektrického napájania, uzatvorení vstupného ventilu plynu a uvedení všetkých pripojení kotla a systému do bezpečného stavu.

Zariadenie je treba likvidovať správne v súlade s platnými nariadeniami, zákonmi a predpismi. Je zakázané likvidovať zariadenie a príslušenstvo spoločne s domovým odpadom.

Viac ako 90% materiálov zariadenia sa dá recyklovať.

20. TECHNICKÉ ÚDAJE

Model: MPX		24 COMPACT	20/24 MI COMPACT	24/28 MI COMPACT	28/33 MI COMPACT
Kategória		II _{2H3P}			
Typ plynu	-	G20 - G31			
Menovité prietochné množstvo TÚV	kW	-	24,7	28,9	34,0
Menovité tepelné prietochné množstvo vykurovania	kW	24,7	20,6	24,7	28,9
Znížené tepelné prietochné množstvo	kW	3,5	3,5	3,9	4,8
Menovitý vykurovací výkon TÚV	kW	-	24,0	28,0	33,0
Menovitý vykurovací výkon 80/60 °C	kW	24,0	20,0	24,0	28,0
Menovitý vykurovací výkon 50/30 °C	kW	26,1	21,8	26,1	30,6
Znížený vykurovací výkon 80/60 °C	kW	3,4	3,4	3,8	4,7
Znížený vykurovací výkon 50/30 °C	kW	3,7	3,7	4,1	5,1
Menovitá účinnosť 50/30 °C	%	105,7	105,8	105,8	105,8
Účinnosť 30% Pn	%	108,8	108,8	108,8	108,9
Max tlak vody vo vykurovacom okruhu	bar	3			
Min tlak vody vo vykurovacom okruhu	bar	0,5			
Objem vody expanznej nádoby	l	7			
Minimálny tlak expanznej nádoby	bar	0,8			
Maximálny tlak vody v okruhu TÚV	bar	-	8,0	8,0	8,0
Minimálny dynamický tlak v okruhu TÚV	bar	-	0,15	0,15	0,15
Minimálne prietochné množstvo vody v okruhu TÚV	l/min	-	2,0	2,0	2,0
Výroba vody v TÚV pri $\Delta T=25\text{ °C}$	l/min	-	13,8	16,1	18,9
Výroba vody v TÚV pri $\Delta T = 35\text{ °C}$	l/min	-	9,8	11,5	13,5
Špecifický prietok „D“ (EN 13203-1)	l/min	-	11,5	13,4	15,8
Rozsah teplôt v okruhu vykurovania	°C	25+80			
Rozsah teplôt v okruhu TÚV	°C	35+60			
Typológia oddymení	-	C13(x) - C33(x) - C43(x) - C43P - C53(x) C63(x) - C83(x) - C93(x) - B23 - B23P			
Priemer koaxiálneho oddymenia	mm	60/100			
Priemer oddelených oddymení	mm	80/80			
Max. hmotnostný prietok spalín	kg/s	0,0012	0,012	0,014	0,016
Min. hmotnostný prietok spalín	kg/s	0,002	0,002	0,002	0,002
Max teplota spalín	°C	80			
Trieda NOx	-	6			
Tlak napájania - zemný plyn 2H	mbar	20			
Tlak napájania – propán 3P	mbar	37			
Napájacie napätie	V	230			
Frekvencia napájania	Hz	50			
Menovitý elektrický príkon	W	85	85	99	106
Čistá váha	kg	30	34	34	35
Rozmery (výška/šírka/hĺbka)	mm	700/400/299			
Stupeň ochrany proti vlhkosti (EN 60529)	-	IPX5D			
Certifikát CE č. 0085CL0214					

SPOTREBY TEPELNÉHO PRIETOČNÉHO MNOŽSTVA Q_{max} a Q_{min}

Q _{max} (G20) - 2H	m ³ /h	2,61	2,61	3,06	3,60
Q _{min} (G20) - 2H	m ³ /h	0,37	0,37	0,41	0,51
Q _{max} (G31) - 3P	kg/h	1,92	1,92	2,25	2,64
Q _{min} (G31) - 3P	kg/h	0,27	0,27	0,30	0,37

21. TECHNICKÉ PARAMETRE

DE DIETRICH MPX			24 COMPACT	20/24 MI COMPACT	24/28 MI COMPACT	28/33 MI COMPACT
Kondenzačný kotol			Áno	Áno	Áno	Áno
Nízko-teplotný kotol ⁽¹⁾			Nie	Nie	Nie	Nie
Kotol B1			Nie	Nie	Nie	Nie
Kogeneračný tepelný zdroj na vykurovanie priestoru			Nie	Nie	Nie	Nie
Kombinovaný tepelný zdroj:			Nie	Áno	Áno	Áno
Menovitý tepelný výkon	<i>Prated</i>	kW	24	20	24	28
Užitočný tepelný výkon pri menovitom tepelnom výkone a režime s vysokou teplotou ⁽²⁾	P_4	kW	24.0	20.0	24.0	28.0
Užitočný tepelný výkon pri 30 % menovitého tepelného výkonu a režime s nízkou teplotou ⁽¹⁾	P_1	kW	8.0	6.7	8.0	9.4
Sezónna energetická účinnosť vykurovania priestoru	η_s	%	93	93	93	93
Užitočná účinnosť pri menovitom tepelnom výkone a režime s vysokou teplotou ⁽²⁾	η_4	%	87.9	88.0	87.9	88.1
Užitočná účinnosť výkonu pri 30 % menovitého tepelného výkonu a režime s nízkou teplotou ⁽¹⁾	η_1	%	98.0	98.0	98.0	98.1
Spotreba pomocnej elektrickej energie						
Plný výkon	<i>elmax</i>	kW	0.042	0.030	0.042	0.041
Čiastočný výkon	<i>elmin</i>	kW	0.013	0.013	0.013	0.013
Pohotovostný režim	P_{SB}	kW	0.003	0.003	0.003	0.003
Ostatné položky						
Tepelná strata v pohotovostnom režime	P_{stby}	kW	0.035	0.035	0.035	0.040
Spotreba energie zapalovacieho horáka	P_{ign}	kW	0.000	0.000	0.000	0.000
Ročná spotreba energie	Q_{HE}	GJ	74	62	74	87
Vnútna hladina akustického výkonu	L_{WA}	dB	52	49	48	53
Emisie oxidov dusíka	NO_x	mg/kWh	16	15	17	15
Parametre teplej úžitkovej vody						
Deklarovaný záťažový profil				XL	XL	XXL
Denná spotreba elektrickej energie	Q_{elec}	kWh		0.162	0.232	0.214
Ročná spotreba elektrickej energie	AEC	kWh		36	51	47
Energetická účinnosť ohrevu vody	η_{wh}	%		88	86	87
Denná spotreba paliva	Q_{fuel}	kWh		21.780	22.470	27.820
Ročná spotreba elektrickej energie	AFC	GJ		17	17	22
<p>(1) Nízka teplota znamená teplotu vracanáho média (na vstupe tepelného zdroja) pre kondenzačné kotly 30°C, pre nízko-teplotné kotly 37°C a pre ostatné tepelné zdroje 50°C.</p> <p>(2) Režim s vysokou teplotou znamená teplotu vracanáho média 60°C na vstupe tepelného zdroja a teplotu dodávaného média 80°C na výstupe tepelného zdroja.</p>						

22. INFORMAČNÝ LIST VÝROBKU

DE DIETRICH MPX		24 COMPACT	20/24 MI COMPACT	24/28 MI COMPACT	28/33 MI COMPACT
Vykurovanie priestoru – použitie pri teplotách		Stredné	Stredné	Stredné	Stredné
Ohrev vody – deklarováný záťažový profil			XL	XL	XL
Trieda sezónnej energetickej účinnosti vykurovania priestoru		A	A	A	A
Trieda energetickej účinnosti ohrevu vody:			A	A	A
Menovitý tepelný výkon (<i>Prated alebo Psup</i>)	kW	24	20	24	28
Vykurovanie priestoru – ročná spotreba energie	GJ	74	62	74	87
Ohrev vody – ročná spotreba energie	kWh ⁽¹⁾		36	51	47
	GJ ⁽²⁾		17	17	22
Sezónna energetická účinnosť vykurovania priestoru	%	93	93	93	93
Energetická účinnosť ohrevu vody	%		88	86	87
Vnútoraná hladina akustického výkonu L _{WA}	dB	52	49	48	53
(1) Elektrickej energie (2) Paliva					

Cher Client,
notre Maison ose espérer que votre nouvel appareil saura répondre à toutes vos exigences. L'achat de l'un de nos produits vous apportera ce que vous recherchez : un fonctionnement irréprochable et une utilisation simple et rationnelle.
Nous vous demandons de lire cette notice d'utilisation avant d'utiliser votre chaudière car elles fournissent des informations utiles pour une gestion correcte et efficace de votre produit.

Notre société déclare que ces produits possèdent le marquage **CE** conformément aux conditions essentielles des Directives suivantes :

- Directive Gaz **2009/142/CE** (jusqu'au 20 Avril 2018)
- Règlement Gaz (UE) **2016/426** (à partir du 21 Avril 2018)
- Directive Rendements **92/42/CE**
- Directive Compatibilité Électromagnétique **2014/30/UE**
- Directive Basse tension **2014/35/UE**
- Directive écoconception **2009/125/CE**
- Règlement (UE) **N° 2017/1369** (pour les chaudières de puissance < 70 kW)
- Règlement sur l'écoconception (UE) **N° 813/2013**
- Règlement sur l'étiquetage énergétique (UE) **N° 811/2013** (pour les chaudières de puissance < 70 kW)



Dans le cadre de notre politique d'amélioration continue de nos produits, notre société se réserve la possibilité de modifier les données reportées dans cette documentation à tout moment et sans préavis aucun. La présente documentation n'est fournie qu'à titre d'information et n'a aucune implication contractuelle vis-à-vis des tiers.

Le dispositif peut être utilisé par les enfants âgés de plus de 8 ans ainsi que les personnes aux capacités physiques, sensorielles ou mentales réduites ou manquant d'expérience ou de connaissances à condition d'être sous la surveillance d'une personne responsable ou après avoir reçu les instructions concernant l'utilisation en toute sécurité de l'appareil et la compréhension des dangers qui lui sont inhérents. Les enfants ne doivent pas jouer avec l'appareil. Les opérations de nettoyage et d'entretien laissés aux soins de l'utilisateur ne doivent pas être confiées à des enfants sans surveillance.

SOMMAIRE

DESCRIPTION SYMBOLES	87
CONSIGNES DE SÉCURITÉ	87
CONSIGNES GÉNÉRALES	88
CONSEILS EN MATIÈRE D'ÉCONOMIE D'ÉNERGIE	88
1. MISE EN SERVICE DE LA CHAUDIÈRE	89
1.1 RÉGLAGE DE LA TEMPÉRATURE DE DÉPART DU CHAUFFAGE ET DE L'EAU CHAUDE SANITAIRE	89
1.2 MODES DE FONCTIONNEMENT	89
2. ARRÊT PROLONGÉ DE L'INSTALLATION PROTECTION CONTRE LE GEL	90
3. CHANGEMENT DE GAZ	90
4. ANOMALIES	90
5. MENU D'INFORMATIONS DE LA CHAUDIÈRE	91
6. ARRÊT DE LA CHAUDIÈRE	91
7. REMPLISSAGE DE L'INSTALLATION	91
8. INSTRUCTIONS DE MAINTENANCE RÉGULIÈRE	91
CONSIGNES AVANT L'INSTALLATION	92
9. INSTALLATION DE LA CHAUDIÈRE	92
9.1 ACCESSOIRES FOURNIS DANS L'EMBALLAGE	92
9.2 DIMENSIONS DE LA CHAUDIÈRE	92
10. INSTALLATION DES CONDUITS	93
10.1 CONDUIT COAXIAL	93
10.2 CONDUITS SÉPARÉS	94
11. BRANCHEMENT ÉLECTRIQUE	95
11.1 RACCORDEMENT DU THERMOSTAT D'AMBIANCE	95
11.2 ACCESSOIRES NON INCLUS	95
12. FONCTIONS SPÉCIALES	96
12.1 PREMIÈRE MISE EN SERVICE	96
12.2 FONCTION DE PURGE	96
12.3 FONCTION DE RAMONAGE	96
12.4 VÉRIFICATION COMBUSTIONS	97
FONCTION AJUSTEMENT COMBUSTIONS (CO ₂ %)	97
13. VANNE GAZ	97
13.1 MODALITÉS DE CHANGEMENT DE GAZ	97
14. PROGRAMMATION PARAMÈTRES	98
14.1 RÉGLAGE DE LA PUISSANCE MAXIMALE DE CHAUFFAGE	99
15. IDENTIFICATION ET RÉOLUTION DES PROBLÈMES	99
16. DISPOSITIFS DE RÉGLAGE ET DE SÉCURITÉ	101
17. CARACTÉRISTIQUES DÉBIT/HAUTEUR MANOMÉTRIQUE À LA PLAQUE	101
18. ENTRETIEN ANNUEL	102
18.1 PARAMÈTRES DE COMBUSTION	102
18.2 GROUPE HYDRAULIQUE	102
18.3 POSITIONNEMENT DES ÉLECTRODES	103
18.4 REMPLACEMENT DES COMPOSANTS	103
FONCTION D'ÉTALONNAGE AUTOMATIQUE	103
19. DÉMANTÈLEMENT, ÉLIMINATION ET RECYCLAGE	103
20. CARACTÉRISTIQUES TECHNIQUES	104
21. PARAMÈTRES TECHNIQUES	105
22. FICHE DE PRODUIT	106

DESCRIPTION SYMBOLES



AVERTISSEMENT

Risque d'endommagement ou anomalie de fonctionnement de l'appareil. Faire très attention aux avertissements qui concernent des risques dommages aux personnes.



RISQUE DE BRÛLURES

Laisser refroidir l'appareil avant toute intervention sur les pièces chauffantes.



DANGER HAUTE TENSION

Pièces électriques sous tension, risque de choc électrique.



RISQUE D'INCENDIE

Matériel ou gaz potentiellement inflammable.



RISQUE DE GEL

Probable formation de glace puisque la température peut être très basse.



INFORMATIONS IMPORTANTES

Informations à lire très attentivement car elles sont utiles pour le fonctionnement correct de la chaudière.



INTERDICTION GÉNÉRALE

Il est interdit d'effectuer/utiliser ce qui est indiqué à côté du symbole.

CONSIGNES DE SÉCURITÉ

ODEUR DE GAZ

- Éteindre la chaudière.
- Ne pas actionner d'interrupteur électrique (comme par exemple allumer la lumière).
- Éteindre toute flamme nue et ouvrir les fenêtres.
- Contacter le Service d'Assistance Technique agréé.

ODEUR DE COMBUSTION

- Éteindre la chaudière.
- Aérer le local en ouvrant les portes et les fenêtres.
- Contacter le Service d'Assistance Technique agréé.

MATIÈRES INFLAMMABLES

Ne pas utiliser et/ou entreposer des matières facilement inflammables (diluants, papier, etc.) à proximité de la chaudière.

ENTRETIEN ET NETTOYAGE CHAUDIÈRE

Avant d'effectuer toute opération, couper l'alimentation électrique de la chaudière.



Les éléments de l'emballage (sacs en plastique, polystyrène, etc.) ne doivent pas être laissés à la portée des enfants car ils peuvent entraîner des risques.



Cet appareil n'est pas prévu pour être utilisé par des personnes dont les capacités physiques, sensorielles ou mentales sont réduites, ou par des personnes dénuées d'expérience ou de connaissance, sauf si elles ont pu bénéficier, par l'intermédiaire d'une personne responsable de leur sécurité, d'une surveillance ou d'instructions préalables concernant l'utilisation de l'appareil.

CONSIGNES GÉNÉRALES

Cette chaudière est destinée à chauffer l'eau à une température inférieure à la température d'ébullition à pression atmosphérique. La chaudière doit être raccordée à une installation de chauffage et à un réseau de distribution d'eau chaude sanitaire, selon ses performances et sa puissance. Avant de faire raccorder la chaudière par un spécialiste, il est important de :

- vérifier que la chaudière soit prévue pour fonctionner avec le type de gaz disponible. On peut lire ces informations sur l'emballage et sur la plaque signalétique qui se trouve sur l'appareil.
- contrôler la qualité du tirage de la cheminée et l'absence d'obstructions ; vérifier qu'il n'y ait pas d'autres appareils raccordés sur le conduit de fumée à moins qu'il ne soit conçu pour l'évacuation de plusieurs appareils et conformément aux normes et prescriptions en vigueur.
- contrôler qu'en cas de raccords sur des cheminées préexistantes, celles-ci soient parfaitement propres, car des encrassements qui se détachent des parois pendant le fonctionnement pourraient obstruer le passage des fumées.
- En outre, pour garantir toujours le parfait fonctionnement et la validité de la garantie, il est impératif de suivre les recommandations suivantes.

1. Circuit sanitaire

1.1 Si la dureté de l'eau dépasse 20 °F (1 °F = 10 mg de carbonate de calcium par litre d'eau), il faut prévoir l'installation d'un doseur de polyphosphates ou de tout autre appareil d'une efficacité au moins équivalente et conforme aux normes en vigueur.

1.2 Après l'installation de l'appareil et avant son utilisation, il faut effectuer un lavage soigné de toutes les canalisations.

1.3 Les matériaux utilisés pour le circuit d'eau sanitaire sont conformes à la Directive 98/83/CE.

2. Circuit chauffage

2.1 **Installation neuve:** Avant de procéder à l'installation de la chaudière, le circuit doit être convenablement nettoyé afin d'éliminer les résidus de filetages, les scories de soudures, les traces de solvants, en utilisant des produits appropriés vendus en commerce, des solutions ni acides ni alcalines et ne pouvant pas attaquer les métaux, les parties en plastique et en caoutchouc. Pour protéger l'installation des incrustations utiliser des produits inhibiteurs tels que SENTINEL X100 et FERNOX de protection des installations de chauffage. Avant de les utiliser nous vous invitons à suivre attentivement les instructions d'emploi de ceux-ci.

2.2 **Installation existante:** Avant de procéder à l'installation de la chaudière, le circuit doit être complètement vidé et convenablement nettoyé des boues et des agents contaminants en utilisant des produits appropriés vendus en commerce et mentionnés au point précédent. Les produits recommandés pour le nettoyage sont : SENTINEL X300 ou X400 et FERNOX régénérateur pour circuit de chauffage. Avant de les utiliser nous vous invitons à suivre attentivement les instructions d'emploi de ceux-ci. À noter que la présence de dépôts dans le circuit de chauffage entraîne des problèmes de fonctionnement de la chaudière (ex. : surchauffe et fonctionnement bruyant de l'échangeur)

Le premier allumage doit être exécuté par le Service d'Assistance Technique agréé qui devra vérifier :

- que les données indiquées sur la plaque signalétique correspondent à celles des réseaux d'alimentation (électrique, hydraulique, gaz) ;
- que l'installation est conforme aux normes en vigueur ;
- que le circuit électrique avec mise à la terre a été effectué correctement.



Le non-respect de ces indications entraîne l'annulation de la garantie de l'appareil. Avant la mise en service enlevez la pellicule protectrice de votre chaudière. N'utilisez pas d'outils ni de matériaux abrasifs qui pourraient endommager les parties laquées.

CONSEILS EN MATIÈRE D'ÉCONOMIE D'ÉNERGIE

Réglage du chauffage

Régler la température de départ de la chaudière en fonction du type d'installation. En cas d'installations avec radiateurs, nous vous conseillons de programmer une température maximale de départ de l'eau de chauffage d'environ 60 °C, et d'augmenter éventuellement cette valeur pour améliorer le confort de l'ambiance. En cas d'installations à panneaux radiants sur plancher, ne pas dépasser la température indiquée par le projeteur de l'installation. Utiliser la Sonde Extérieure et/ou le Panneau de Commande pour adapter automatiquement la température de départ en fonction des conditions atmosphériques ou de la température interne. Ainsi on ne produira pas plus de chaleur que celle effectivement demandée. Régler la température ambiante et éviter de surchauffer les locaux. Chaque degré supplémentaire accroît la consommation d'énergie d'environ 6 %. Ajuster la température ambiante également en fonction du type d'utilisation des locaux. Par exemple, la chambre à coucher ou les pièces les moins utilisées peuvent être chauffées à une température plus basse. Utiliser la programmation horaire et programmer la température ambiante des heures de la nuit inférieure d'environ 5 °C à celle des heures du jour. Une valeur plus basse n'est pas intéressante en termes d'économie d'énergie. Seul dans le cas d'une absence prolongée, comme par exemple les vacances, baisser encore plus la température programmée. Ne pas couvrir les radiateurs pour garantir la bonne circulation de l'air. Ne pas laisser les fenêtres entrouvertes pour ventiler les locaux, mais les ouvrir complètement pour un temps court.

Eau chaude sanitaire

Il est possible de réaliser des économies conséquentes en programmant la température de l'eau chaude sanitaire désirée en évitant de la mélanger avec l'eau froide. Tout chauffage ultérieur cause un gaspillage d'énergie et augmente la formation de dépôt calcaire.

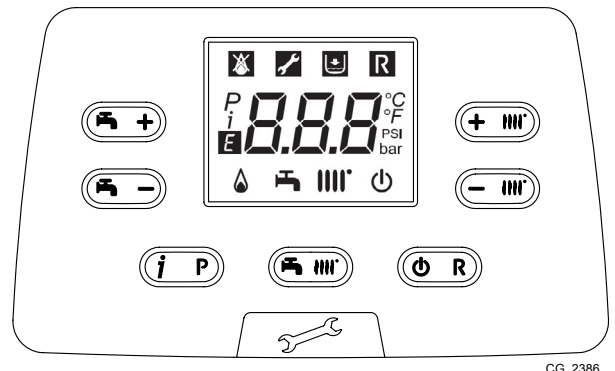
1. MISE EN SERVICE DE LA CHAUDIÈRE

Procédez de la manière suivante afin d'effectuer correctement les opérations d'allumage :

- Vérifiez que la pression de l'installation est égale à celle prescrite (chapitre 7) ;
- Mettre la chaudière sous tension.
- Ouvrez le robinet gaz (de couleur jaune, situé au-dessous de la chaudière) ;
- Sélectionnez le mode de chauffage désiré (paragraphe 1.2).

Légende TOUCHES

	Réglage température eau sanitaire (touche + pour augmenter la température et touche – pour la diminuer)
	Réglage température eau de chauffage (touche + pour augmenter la température et touche – pour la diminuer)
	Informations de fonctionnement chaudière
	Mode de fonctionnement : ECS – ECS & Chauffage – Seulement chauffage
	Éteint – Remise à zéro – Sortie menu/fonctions



CG_2386

Légende SYMBOLES

	Arrêté : chauffage et ECS désactivés (seule la protection antigel de la chaudière est activée)		Brûleur allumé
	Anomalie qui empêche l'allumage du brûleur		Mode de fonctionnement ECS activé
	Basse pression eau chaudière/installation		Mode de fonctionnement chauffage activé
	Demande intervention Assistance technique		Menu de programmation
	Anomalie annulable manuellement (touche),		Menu informations chaudière
	Anomalie en cours	°C, °F, bar, PSI	Unités de mesure programmées (SI/US)

1.1 RÉGLAGE DE LA TEMPÉRATURE DE DÉPART DU CHAUFFAGE ET DE L'EAU CHAUDE SANITAIRE

Le réglage de la température de départ du chauffage et de l'eau chaude sanitaire (en présence d'un ballon externe) se fait en appuyant respectivement sur les touches et . L'allumage du brûleur est signalé sur l'afficheur par le symbole .

CHAUFFAGE : pendant le fonctionnement de la chaudière en mode chauffage, l'afficheur montre le symbole intermittent et la température de départ du chauffage (°C).

En cas de branchement d'une sonde externe, les touches règlent indirectement la température ambiante (valeur d'usine 20 °C - voir le paragraphe 11.2.1).

ECS : Pendant le fonctionnement de la chaudière en ECS, l'afficheur montre le symbole intermittent et la température du circuit primaire de la chaudière (°C).

1.2 MODES DE FONCTIONNEMENT

SYMBOLE AFFICHÉ	MODE DE FONCTIONNEMENT
	ECS
	ECS & CHAUFFAGE
	CHAUFFAGE UNIQUEMENT

Pour activer le fonctionnement de l'appareil en **ECS - Chauffage** ou **Chauffage uniquement**, appuyer plusieurs fois sur la touche puis sélectionner l'un des trois modes disponibles.

Pour désactiver les modes de fonctionnement de la chaudière tout en maintenant la fonction antigel activée, appuyer pendant au moins 3 secondes sur la touche ; l'afficheur montrera uniquement le symbole (si la chaudière est en sécurité, le rétroéclairage de l'afficheur clignote).

2. ARRÊT PROLONGÉ DE L'INSTALLATION PROTECTION CONTRE LE GEL

Il est préférable d'éviter de vider votre installation de chauffage car tout apport d'eau favorisera la formation de dépôts de calcaire inutiles et dangereux à l'intérieur de la chaudière et des éléments chauffants. Si vous n'utilisez pas l'installation au cours de l'hiver, et s'il y a risque de gel, nous vous conseillons de mélanger l'eau de l'installation à des produits antigel destinés à cet usage spécifique (par ex. du glycol propylénique associé à des inhibiteurs d'entartrage et de corrosion). La régulation électronique de la chaudière est dotée d'une fonction en mode chauffage qui déclenche le brûleur de façon à atteindre une valeur proche de 30 °C lorsque la température de départ du circuit est inférieure à 5 °C.



Cette fonction est opérationnelle si la chaudière est alimentée électriquement, s'il y a du gaz, si la pression de l'installation est celle prescrite et si la chaudière n'est pas en sécurité.

3. CHANGEMENT DE GAZ

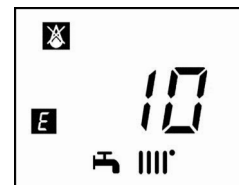
Les chaudières sont prévues pour fonctionner soit au gaz naturel (G20) soit au gaz GPL (G31). S'il est nécessaire de changer de gaz, veuillez vous adresser à un SERVICE D'ASSISTANCE TECHNIQUE AGRÉÉ.

4. ANOMALIES

Les anomalies visualisées sur l'afficheur sont identifiées par le symbole **E** et par un numéro (code de l'anomalie). Pour connaître la liste complète des anomalies, voir le tableau suivant.


Si le symbole **R** est visualisé sur l'affiché, l'anomalie nécessite une REMISE À ZÉRO de la part de l'utilisateur.

Pour REMETTRE À ZÉRO la chaudière, appuyer pendant au moins 2 secondes sur la touche **Ⓞ/R**. En cas d'affichages fréquents d'anomalies, veuillez contacter un centre d'Assistance Technique agréé.



E	Description anomalie	Intervention
09	Erreur raccordement vanne gaz	Contactez votre installateur qualifié.
10	Capteur sonde extérieure en panne	Contactez votre installateur qualifié.
12	Échec de commutation du pressostat différentiel hydraulique	Contactez votre installateur qualifié.
13	Contacts collés du pressostat différentiel hydraulique	Contactez votre installateur qualifié.
15	Erreur de commande de la vanne gaz	Contactez votre installateur qualifié.
18	Remplissage automatique du circuit hydraulique en cours	Attendre la fin du cycle de remplissage
19	Anomalie durant la phase de remplissage de l'installation	Appuyer pendant au moins 2 secondes sur la touche R
20	Capteur NTC de refoulement en panne	Contactez votre installateur qualifié.
28	Capteur NTC fumées en panne	Contactez votre installateur qualifié.
40	Capteur NTC de retour en panne	Contactez votre installateur qualifié.
50	Capteur NTC ECS endommagé (uniquement pour modèle chauffage seul avec ballon ECS)	Contactez votre installateur qualifié.
53	Conduit des fumées obstrué	Mettre la chaudière hors tension pendant quelques secondes. Si l'anomalie persiste, appeler le service d'assistance technique agréé.
55	Carte électronique non étalonnée	Contactez votre installateur qualifié.
83...87	Problème de communication entre carte chaudière et unité de commande. Probable court-circuit sur le câblage.	Contactez votre installateur qualifié.
92	Anomalie fumées pendant la phase d'étalonnage (recirculation de fumées probable)	Contactez votre installateur qualifié.
109	Présence d'air dans le circuit de chaudière (anomalie temporaire)	Contactez votre installateur qualifié.
110	Intervention thermostat de sécurité pour surchauffe (pompe bloquée ou air dans le circuit de chauffage).	Appuyer pendant au moins 2 secondes sur la touche R
117	Pression circuit hydraulique trop élevée (> 2,7 bar)	Contactez votre installateur qualifié.
118	Pression circuit hydraulique trop basse	Vérifiez que la pression de l'installation est égale à celle prescrite. Voir paragraphe REMPLISSAGE CHAUDIÈRE.
125	Intervention de sécurité pour absence de circulation. (contrôle effectué par un capteur de température)	Appuyer pendant au moins 2 secondes sur la touche R
128	Extinction flamme	Appuyer pendant au moins 2 secondes sur la touche R
129	Extinction de flamme en allumage	Contactez votre installateur qualifié.
130	Intervention sonde NTC fumées pour surchauffe	Appuyer pendant au moins 2 secondes sur la touche R
133	Défaut d'allumage (5 tentatives)	Appuyer pendant au moins 2 secondes sur la touche R
134	Vanne gaz bloquée	Appuyer pendant au moins 2 secondes sur la touche R

135	Erreur interne carte	Appuyer pendant au moins 2 secondes sur la touche R
154	Test de contrôle de la sonde de refoulement/retour	Contactez votre installateur qualifié.
160	Anomalie fonctionnement ventilateur	Contactez votre installateur qualifié.
178	Intervention du thermostat de sécurité due à surchauffe sur installation à basse température	Contactez votre installateur qualifié.
317	162 Fréquence d'alimentation électrique erronée	Contactez votre installateur qualifié.
321	163 Capteur NTC ECS endommagé	Contactez votre installateur qualifié.
384	164 Flamme parasite (anomalie interne)	Appuyer pendant au moins 2 secondes sur la touche R
385	165 Tension d'alimentation trop basse	La restauration est automatique avec une tension supérieure à 175 V. Si l'anomalie persiste, contacter le centre d'assistance technique agréé.


 **En cas d'anomalie, le rétroéclairage de l'afficheur s'allume et affiche le code d'erreur correspondant. Il est possible d'effectuer 5 tentatives consécutives de réarmement après quoi la chaudière se met en mode sécurité. Pour effectuer une nouvelle tentative de réarmement, il est nécessaire d'attendre au moins 15 minutes.**

5. MENU D'INFORMATIONS DE LA CHAUDIÈRE

Appuyer sans relâcher sur la touche **(i/p)** pendant au moins une seconde, pour afficher l'information indiquée dans le tableau. Appuyer sur la touche **(@/R)** pour quitter.

i	DESCRIPTION	i	DESCRIPTION
00	Code interne erreur secondaire	06	Température retour chaudière (°C)
01	Température alimentation chaudière (°C)	07	Température sonde fumées (°C)
02	Température extérieure (°C)	08	Température échangeur primaire (°C)
03	Température ECS ballon à chauffage indirect (seulement chauffage central chaudière)	09 – 13	Informations du fabricant
04	Température eau chaude sanitaire (chaudière avec échangeur à plaques)	14	Communication identification OpenTherm
05	Pression eau installation de chauffage (bar)	15 - 18	Informations du fabricant


6. ARRÊT DE LA CHAUDIÈRE

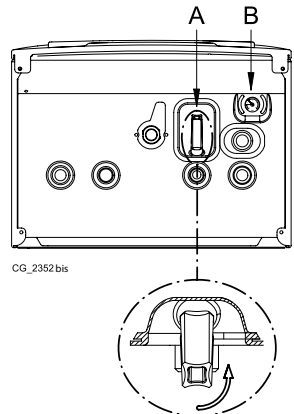
Pour arrêter la chaudière, il faut couper l'alimentation électrique à l'appareil en actionnant l'interrupteur bipolaire. Quand le mode de fonctionnement « Mode protection » est activé , la chaudière reste éteinte, mais les circuits électriques restent sous tension et la fonction antigel est activée.

7. REMPLISSAGE DE L'INSTALLATION


Vérifier périodiquement que la pression lue sur le manomètre « **B** », lorsque l'installation est froide, est de 1 - 1,5 bar. En cas de pression basse, manœuvrez le robinet « **A** » de remplissage de la chaudière (figure ci-contre).

A	Robinet de remplissage chaudière / installation
B	Manomètre

 **Procéder avec précaution pendant la phase de remplissage de l'installation de chauffage. Veiller à ouvrir les vannes thermostatiques éventuellement présentes dans l'installation, faire arriver lentement l'eau afin d'éviter la formation de bulles d'air à l'intérieur du circuit primaire jusqu'à ce que l'on atteigne la pression nécessaire pour le fonctionnement. Purger enfin les radiateurs éventuellement présents dans l'installation. De Dietrich ne saurait être tenue pour responsable des dommages dus à la présence de bulles d'air à l'intérieur de l'échangeur primaire suite à l'inobservation ou au respect partiel des consignes sus-indiquées.**



 **La chaudière est équipée d'un pressostat hydraulique qui bloque le fonctionnement de la chaudière si l'eau manque.**

 **Si vous observez de fréquentes diminutions de pression, demandez au SERVICE D'ASSISTANCE TECHNIQUE AGRÉÉ d'intervenir.**

8. INSTRUCTIONS DE MAINTENANCE RÉGULIÈRE

Afin de garantir à votre chaudière une efficacité de fonctionnement et une sécurité parfaite, il faut à la fin de chaque saison la faire inspecter par le Service d'Assistance Technique agréé. Une maintenance sérieuse permet toujours de faire des économies au niveau de la gestion de l'installation.

CONSIGNES AVANT L'INSTALLATION

Les remarques et instructions techniques ci-après s'adressent aux installateurs pour leur donner la possibilité d'effectuer une installation parfaite. Les instructions concernant l'allumage et l'utilisation de la chaudière sont contenues dans les instructions destinées à l'utilisateur.

Il faut se rappeler que :

- En cas d'installation de l'appareil dans un environnement où la température ambiante est inférieure à 0 °C, prendre les mesures appropriées afin d'éviter la formation de glace dans le siphon et dans l'écoulement de la condensation.
- La chaudière peut être utilisée avec n'importe quel type d'émetteur, radiateur, thermoconvecteur, alimentés en bitube ou monotube. Les sections du circuit seront de toute manière calculées suivant les méthodes normales, en tenant compte de la caractéristique débit-hauteur manométrique disponible sur la plaque (indiquée au paragraphe 16).
- Les différentes parties de l'emballage (sacs en plastique, polystyrène, etc.) ne doivent pas être laissées à la portée des enfants étant donné qu'elles constituent une source potentielle de danger.
- La première mise en service doit être exécutée par un professionnel qualifié.

L'inobservation des indications susmentionnées annulera la garantie.

CONSIGNE POMPE SUPPLÉMENTAIRE

En cas d'utilisation d'une pompe supplémentaire sur l'installation de chauffage, positionner celle-ci sur le circuit de retour de la chaudière. Ceci permettra un fonctionnement correct du pressostat eau.

CONSIGNE SOLAIRE

Si la chaudière instantanée (mixte) est branchée à une installation avec des panneaux solaires, la température maximale de l'eau sanitaire à l'entrée de la chaudière doit être inférieure à 60 °C.



Les éléments de l'emballage (sacs en plastique, polystyrène, etc.) ne doivent pas être laissés à la portée des enfants car ils peuvent entraîner des risques.

9. INSTALLATION DE LA CHAUDIÈRE

La figure du gabarit est disponible à la fin de cette notice dans l'annexe « SECTION » C.

Une fois décidé de l'endroit exact où la chaudière sera positionnée, fixer le gabarit au mur. Procéder à la pose de l'installation en partant de la position des raccords hydrauliques et de gaz présents dans la traverse inférieure du gabarit. S'assurer que la partie arrière de la chaudière (dos) est le plus parallèle possible au mur (si nécessaire, mettre des cales d'épaisseur dans la partie inférieure). Il est conseillé d'installer, sur le circuit de chauffage, deux robinets d'arrêt (départ et retour) G3/4, disponibles sur demande pour permettre, en cas d'interventions importantes, d'opérer sans avoir besoin de vider toute l'installation de chauffage. Dans le cas d'installations anciennes ou de remplacements, il est en outre conseillé de prévoir sur le retour à la chaudière et en position basse un pot de décantation destiné à recueillir les dépôts ou les scories présents même après le lavage, et qui pourraient entrer en circulation au fil du temps. Une fois la chaudière fixée sur le gabarit, effectuer le raccordement aux conduits d'évacuation et d'aspiration, fournis comme accessoires, en suivant les indications contenues dans les chapitres suivants. Brancher le siphon à un puits de décharge en assurant une pente continue. Il faut éviter les conduits horizontaux.



Ne soulevez pas la machine en forçant sur les pièces en plastique tels que le siphon et la tourelle des fumées.



Serrer doucement les raccords hydrauliques de la chaudière (couple maximal 30 Nm).



Avant la mise en service de la chaudière, remplir le siphon avec de l'eau pour empêcher la fumée de se répandre dans la pièce.

9.1 ACCESSOIRES FOURNIS DANS L'EMBALLAGE

- Gabarit (voir figure à l'annexe « SECTION » C)
- Traverse support chaudière
- Chevilles 8 mm et vis pression
- Tube d'évacuation de la condensation

ACCESSOIRES fournis sur demande :

- Robinets départ/retour chauffage, robinet entrée eau et joints télescopiques
- Robinet gaz

9.2 DIMENSIONS DE LA CHAUDIÈRE

Les dimensions de la chaudière et les cotes d'installation des raccords hydrauliques sont indiquées à la fin de cette notice dans l'annexe « SECTION » C.

A	Évacuation condensat	D	Entrée GAZ
B	Départ installation de chauffage	E	Entrée eau froide sanitaire / Remplissage installation
C	Départ eau chaude sanitaire (G1/2") / ballon (G3/4")	F	Retour installation de chauffage

10. INSTALLATION DES CONDUITS

L'installation de la chaudière est réalisable sans difficulté grâce aux accessoires fournis qui sont décrits plus loin. La chaudière est prévue, à l'origine, pour être raccordée à un conduit d'évacuation-aspiration de type coaxial, vertical ou horizontal. Il est également possible d'utiliser des conduits séparés grâce au séparateur de flux.

RECOMMANDATIONS

C13, C33 Les parties terminales du conduit d'évacuation dédoublé doivent être prévues à l'intérieur d'un carré de 50 cm de côté. Des instructions détaillées sont contenues dans tous les accessoires.

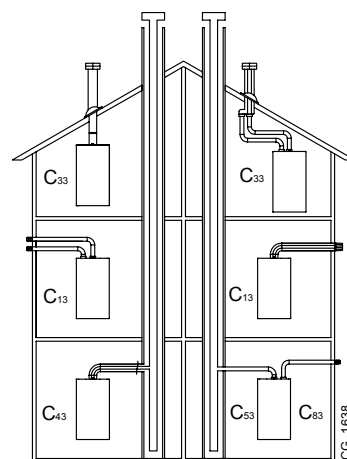
C53 Les parties terminales des conduits d'aspiration de l'air comburant et d'évacuation des produits de la combustion ne doivent pas être prévues sur des murs opposés de l'édifice.

C63 La perte de charge maximale des conduits ne doit pas dépasser **100 Pa**. Les conduits doivent être certifiés pour ce type d'utilisation et pour une température supérieure à 100 °C. La partie terminale du conduit de la fumée doit être certifiée conforme à la Norme EN 1856-1.

C43, C83 La cheminée ou le conduit de fumée doivent être adaptés à cet usage.



Pour garantir une sûreté de fonctionnement il faut que les conduits d'évacuation de fumée soient bien fixés au mur au moyen des brides de fixation. Les brides de fixation doivent être positionnées à environ 1 mètre l'une de l'autre au niveau des raccords.

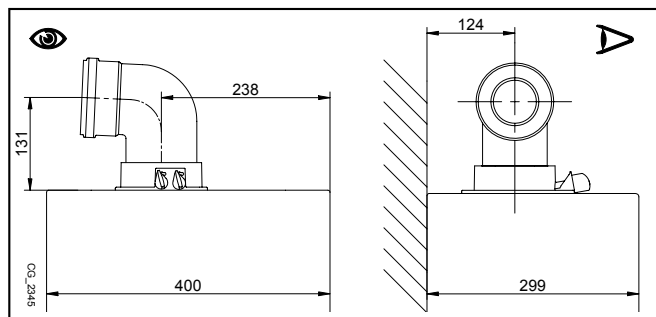


Lire attentivement les instructions de ventilation indiquées dans ce manuel et celles fournies par le fabricant de la ventilation, en cas d'incohérences respecter les instructions de ventilation de ce manuel.

10.1 CONDUIT COAXIAL

Ce type de conduit permet d'évacuer les gaz brûlés et d'aspirer l'air comburant aussi bien à l'extérieur de l'édifice que dans des conduits de fumée de type LAS. Le coude coaxial à 90° permet de raccorder la chaudière aux conduits d'évacuation-aspiration en toutes directions grâce à la possibilité de rotation à 360°. Il peut également être utilisé comme coude supplémentaire en association avec le conduit coaxial ou le coude à 45°.

En cas d'évacuation à l'extérieur, le conduit d'évacuation-aspiration doit déborder du mur d'au moins 18 mm pour permettre de positionner la rosace en aluminium et son scellement et éviter ainsi toute infiltration d'eau.



- L'insertion d'un coude à 90° réduit la longueur totale du conduit de 1 mètre.
- L'insertion d'un coude à 45° réduit la longueur totale du conduit de 0,5 mètre.
- Le premier coude à 90° ne rentre pas dans le calcul de la longueur maximum disponible.

Fixer les tuyaux d'aspiration à l'aide de deux vis galvanisées autofiletantes de 4,2 mm de diamètre et 19 mm de long maximum. Si les vis ne sont pas fournies, il faut les trouver dans le commerce avec les mêmes caractéristiques.



Avant de serrer les vis, vérifier que le tuyau est introduit à l'intérieur du joint d'au moins 45 mm (voir les figures à la fin du manuel dans l'annexe « SECTION » D).



La pente minimum, vers la chaudière, du conduit d'évacuation doit être de 5 cm par mètre de longueur.



DES EXEMPLES D'INSTALLATION DES CONDUITS D'ÉVACUATION, ET LES LONGUEURS ADMISES, SONT DISPONIBLES À LA FIN DE CETTE NOTICE DANS L'ANNEXE « SECTION » D.

10.1.1 TYPOLOGIE ÉVACUATION C43P

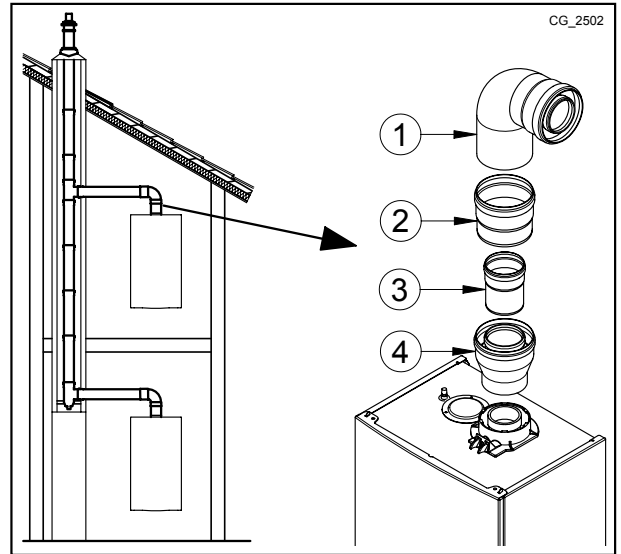
Conduit de fumées collectif avec pression positive pour chaudières à chambre étanche

II Ce type d'installation peut être utilisé uniquement avec des chaudières fonctionnant au gaz naturel (G20)

Pour relier la chaudière à un conduit de fumées collectif C43P, il est obligatoire d'ajouter le clapet anti-retour. Le dimensionnement du conduit de fumées est réalisé par le fournisseur du conduit conformément à la norme EN 13384-2.

1	Courbe 90° Ø 80/125 mm
2	Conduit Ø 80/125 mm
3	Clapet anti-retour Ø 80 mm
4	Adaptateur Ø 60/100 -> 80/125 mm

Pour ce type d'installation, il est nécessaire de modifier les paramètres P71 et P72 de la carte électronique comme indiqué dans le tableau (voir également les instructions SERVICE). Après avoir modifié les paramètres, il faut effectuer l'étalonnage de la chaudière comme décrit dans le manuel SERVICE.

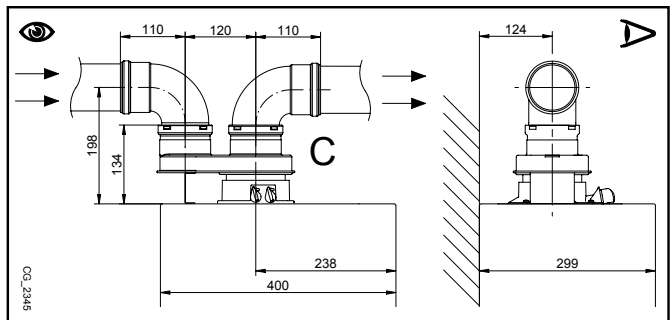


Modèle	P72	P71
	Qmin - Pression dans la cheminée 25 Pa	Qmax - Pression dans la cheminée 86 Pa
MPX 24 - MPX 20/24 MI	85	130
MPX 24/28 MI	85	185
MPX 28/33 MI	85	180

10.2 CONDUITS SÉPARÉS

Pour des installations particulières des conduits d'évacuation/ aspiration des fumées, il est possible d'utiliser l'accessoire séparateur de flux individuel (C) fourni comme accessoire. Cet accessoire permet d'orienter l'évacuation et l'aspiration dans n'importe quelle direction grâce à sa possibilité de pivoter à 360°. Ce type de conduit permet l'évacuation des fumées tant à l'extérieur de l'édifice que dans les conduits de fumée individuels. L'aspiration de l'air comburant peut se faire dans des zones différentes de celles d'évacuation. Le kit séparateur de flux est fixé sur la tourelle (100/60 mm) de la chaudière et permet à l'air comburant et aux fumées d'évacuation d'entrer/sortir de deux conduits (80 mm) séparés. Pour des informations plus détaillées, lire les instructions de montage qui accompagnent cet accessoire.

Le coude à 90° permet de raccorder la chaudière aux conduits d'évacuation et d'aspiration selon les différentes exigences. Il peut également être utilisé comme coude supplémentaire à accoupler au conduit ou au coude à 45°



- L'insertion d'un coude à 90° réduit la longueur totale du conduit de 0,5 mètre.
- L'insertion d'un coude à 45° réduit la longueur totale du conduit de 0,25 mètre.
- Le premier coude à 90° ne rentre pas dans le calcul de la longueur maximum disponible.

II DES EXEMPLES D'INSTALLATION DES CONDUITS D'ÉVACUATION, ET LES LONGUEURS ADMISES, SONT DISPONIBLES À LA FIN DE CETTE NOTICE DANS L'ANNEXE « SECTION » D.

11. BRANCHEMENT ÉLECTRIQUE

La sécurité électrique de l'appareil n'est assurée que lorsqu'il est branché correctement sur une installation de mise à la terre efficace, et conformément aux normes de sécurité en vigueur concernant les installations. La chaudière doit être branchée sur un réseau d'alimentation électrique 230 V monophasé + prise de terre au moyen du câble à trois fils fourni avec l'appareil, et en respectant la polarité Phase-Neutre.

Le branchement doit être effectué au moyen d'un interrupteur bipolaire ayant une distance d'ouverture des contacts d'au moins 3 mm.

En cas de remplacement du câble d'alimentation on doit utiliser un câble réglementaire "HAR H05 VV-F" de 3x0,75 mm² ayant un diamètre maximum de 8 mm. Les fusibles, de type rapide de 2A, sont incorporés dans le bornier d'alimentation (extraire le porte-fusible de couleur noire pour le contrôle et/ou le remplacement).

Faire pivoter vers le bas le tableau de commande et accéder aux borniers **M1** et **M2** destinés aux branchements électriques en enlevant le couvercle de protection.



Vérifier que l'absorption nominale totale des accessoires raccordés à l'appareil est inférieure à 2 A. Si elle est supérieure, il est nécessaire d'interposer un relais entre les accessoires et la carte électronique.



Le bornier M1 est sous haute tension. Avant d'effectuer le branchement couper l'alimentation électrique de l'appareil.

BORNIER M1

(L) = Phase (marron)

(N) = Neutre (bleu).

(⊕) = Mise à la Terre (jaune-vert).

(1) (2) = contact pour Thermostat d'Ambiance.



Il est nécessaire de remettre le shunt sur les bornes 1-2 du bornier M1 de la chaudière si on n'utilise pas le thermostat d'ambiance ou si le Régulateur d'Ambiance fourni comme accessoire n'est pas branché.

BORNIER M2

Bornes 1 - 2 : branchement Régulateur d'Ambiance (basse tension) fourni comme accessoire.

Bornes 4 - 5 : branchement Sonde Extérieure (fournie comme accessoire)

Bornes 3-6-7-8 : pas utilisées.

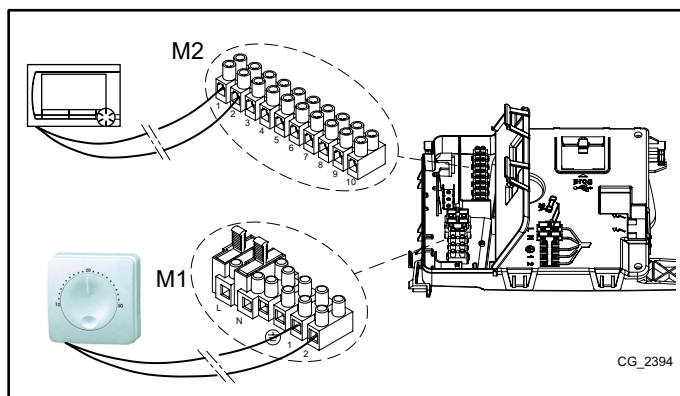
Bornes 9-10: branchement de la sonde du ballon ECS.



Si l'appareil est raccordé à une installation au sol, l'installateur devra prévoir un thermostat de sécurité assurant la protection de l'installation contre les surtempératures.



Pour le passage des câbles de raccordement des bornier, utiliser les trous ad hoc « passe-câble avec étau de serrage » présents sur le fond de la chaudière.



11.1 RACCORDEMENT DU THERMOSTAT D'AMBIANCE



Les connexions sur le bornier M1 sont à haute tension (230 V). Avant d'effectuer le branchement couper l'alimentation électrique de l'appareil. Respecter la polarité d'alimentation L (PHASE) - N (NEUTRE).

Pour raccorder le Thermostat d'Ambiance à la chaudière procéder de la façon suivante :

- couper l'alimentation électrique à la chaudière ;
- accéder au bornier **M1** ;
- enlever le shunt présent sur les bornes 1-2 et connecter les câbles du Thermostat d'Ambiance ;
- alimenter électriquement la chaudière et vérifier que le Thermostat d'Ambiance fonctionne correctement.

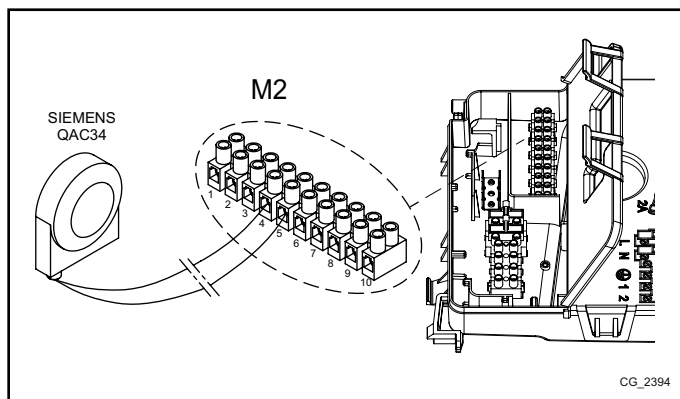
11.2 ACCESSOIRES NON INCLUS

11.2.1 SONDE EXTÉRIEURE

Pour le raccordement de cet accessoire, voir la figure ci-contre (bornes 4-5) et consulter les instructions fournies avec la sonde.

PROGRAMMATION DE LA COURBE CLIMATIQUE « Kt »



Lorsque la sonde externe est raccordée à la chaudière, la carte électronique régule la température de départ calculée en fonction du coefficient **Kt** configuré. Sélectionner la courbe de votre choix en appuyant sur les touches comme cela est indiqué dans le graphique de l'annexe **SECTION E** afin de choisir celle qui convient le mieux (de 00 à 90).



LÉGENDE GRAPHIQUE - « SECTION » E

	Température de départ		Température extérieure
--	-----------------------	--	------------------------

11.2.2 BALLON EXTERNE



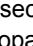
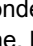


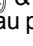
La chaudière est pré-équipée électriquement pour le branchement d'un ballon externe. Le branchement hydraulique du ballon externe est représenté schématiquement à la figure de l'annexe « SECTION » F. Brancher la Sonde NTC de priorité ECS aux bornes 9-10 du bornier M2. L'élément sensible de la Sonde NTC doit être inséré dans le regard prévu à cet effet sur le ballon. Vérifier que la puissance d'échange du serpentin du ballon est correcte pour la puissance de la chaudière. Le réglage de la température de l'eau chaude sanitaire (+35°C ÷ +60°C) se fait à l'aide des touches  .

IMPORTANT : régler le paramètre P03 = 05 comme cela est indiqué au chapitre 14.




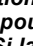
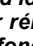

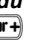
12.FONCTIONS SPÉCIALES

12.1 PREMIÈRE MISE EN SERVICE

Lors de la première mise en service de la chaudière, il est nécessaire d'exécuter la procédure décrite ci-après. Après avoir mis la chaudière sous tension, le code « 000 » apparaît sur l'afficheur ; l'appareil est ainsi prêt pour la procédure de « première mise en marche ».

- En appuyant simultanément pendant 6 secondes sur les touches  , le message « On » apparaît sur l'afficheur pendant 2 secondes suivi du code « 312 » pour indiquer que la fonction de « dégazage installation » est activée. Cette fonction dure 10 minutes.
- Lorsque la fonction est terminée, la chaudière s'allume, l'indication 000 sera affichée, en alternance avec la valeur en % de la puissance d'allumage et la valeur de la température (°C) de départ du chauffage. Dans cette phase « fonction de reconnaissance gaz », qui dure environ 7 minutes, le type de gaz utilisé est analysé. Pendant l'exécution de cette fonction, veiller à apporter l'échange thermique maximum à l'installation de chauffage ou de production d'ECS afin d'éviter que la chaudière ne s'éteigne suite à un problème de surchauffe.
- Si la chaudière est alimentée au gaz naturel, l'afficheur visualisera l'indication NG pendant 10 secondes environ. La chaudière est maintenant prête à fonctionner normalement. Si l'afficheur montre l'indication LPG, appuyer simultanément sur les touches  &  pendant au moins 4 secondes pour quitter sans modifier les valeurs d'usine.
- Si la chaudière est alimentée au gaz propane, l'afficheur indiquera LPG. Appuyer pendant au moins 6 secondes sur la touche  pour valider le type de gaz en cours d'utilisation. Si l'afficheur indique NG car il ne reconnaît pas le gaz d'alimentation, appuyer simultanément sur les touches  &  pendant au moins 4 secondes pour sortir de la fonction puis modifier le paramètre P02=01 comme cela est indiqué au paragraphe « CONFIGURATION DES PARAMÈTRES » de la notice d'utilisation de la chaudière.




Si la fonction de dégazage ou d'identification du gaz est interrompue par une coupure de l'alimentation électrique, une fois que le courant est rétabli, réactiver la fonction en appuyant simultanément sur les deux touches   pendant au moins 6 secondes. Si pendant la Fonction de Purge l'afficheur signale l'erreur E118 (basse pression du circuit hydraulique), manœuvrer le robinet de remplissage de l'appareil pour rétablir la pression correcte. Si la fonction d'identification du gaz est interrompue suite à une erreur (par exemple, E133 absence de gaz), appuyer sur la touche  pour réinitialiser, puis appuyer simultanément sur les touches   (pendant au moins 6 secondes) pour réactiver la fonction. Si la fonction d'identification du gaz est interrompue suite à un problème de surchauffe, réactiver la fonction en appuyant simultanément sur les touches   pendant au moins 6 secondes.

La combustion de cet appareil a été contrôlée, étalonnée et prédéfinie en usine pour fonctionner avec du gaz NATUREL.

Pendant la Fonction de Contrôle du Type de Gaz, le rapport de combustion augmentera pour une courte durée afin de permettre l'identification du type de gaz.





Lors de la première mise en service, tant que l'air contenu dans la tuyauterie du gaz n'est pas évacué, il est possible que le brûleur ne s'allume pas et que cela bloque la chaudière. Dans ce cas, il est recommandé de répéter les opérations d'allumage jusqu'à ce que le gaz arrive au brûleur. Pour rétablir le fonctionnement de la chaudière, appuyer sur la touche  pendant au moins 2 secondes.



Les premières mises en marche, tout de suite après l'installation, peuvent ne pas être optimales car le système a besoin d'un certain temps d'auto-apprentissage.

12.2 FONCTION DE PURGE




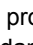
Cette fonction permet de faciliter l'élimination de l'air à l'intérieur du circuit de chauffage lorsque la chaudière est installée ou après des opérations d'entretien de vidange de l'eau du circuit primaire.

Pour activer la fonction de dégazage de l'installation, appuyer simultanément sur les touches   pendant 6 secondes. Lorsque la fonction est activée, l'indication On apparaît sur l'afficheur pendant quelques secondes, suivie ensuite de la ligne de programme 312.

La carte électronique activera un cycle de marche/arrêt de la pompe avec une durée de 10 minutes. La fonction s'arrêtera automatiquement à la fin du cycle. Pour quitter manuellement cette fonction, appuyer une autre fois simultanément sur les touches sus-indiquées pendant 6 secondes.

12.3 FONCTION DE RAMONAGE

Cette fonction amène la chaudière à la puissance maximum en chauffage. Après l'activation, il est possible de régler le niveau du % de puissance de la chaudière, du minimum au maximum. La procédure est la suivante :

- Appuyer simultanément sur les touches   pendant au moins 6 secondes. Lorsque la fonction est activée, l'afficheur visualisera pendant quelques secondes l'indication « On » suivie ensuite par la ligne de programme « 303 » alternée à la valeur en % de la puissance de la chaudière.
- Se servir des touches   pour régler progressivement la puissance (sensibilité 1 %).
- Pour quitter, appuyer simultanément pendant au moins 6 secondes sur les touches comme cela est indiqué au premier point.



Appuyer sur la touche  pour visualiser, pendant 15 secondes, la valeur instantanée de la température de départ.

12.4 VÉRIFICATION COMBUSTIONS

Pour le bon fonctionnement de la chaudière, la teneur en CO₂ (O₂) dans les combustions, doit respecter le champ de tolérance indiqué dans le tableau suivant. Si la valeur de CO₂ (O₂) relevée est différente, vérifier l'intégrité et les distances des électrodes. En cas de besoin, remplacer les électrodes et les positionner de façon correcte. Si le problème ne se résout pas, il est possible d'utiliser la fonction décrite ci-après.

		G20		G31	
		CO ₂ %	O ₂ %	CO ₂ %	O ₂ %
Puissance maximum	Valeur nominale	8,7	5,4	10,0	6,0
	Valeur admise	8,2 - 9,3	6,3 - 4,3	9,5 - 10,5	6,8 - 5,2
Puissance d'allumage	Valeur nominale	8,7	5,4	10,8	4,8
	Valeur admise	8,2 - 9,3	6,3 - 4,3	10,3 - 11,3	5,5 - 4,1
Puissance minimum	Valeur nominale	8,8	5,2	10,0	6,0
	Valeur admise	8,2 - 9,3	6,3 - 4,3	9,5 - 10,5	6,8 - 5,2



La mesure des combustions doit être effectuée à l'aide d'un analyseur correctement étalonné.



Pendant son fonctionnement normal, la chaudière effectue des cycles d'autocontrôle des combustions. Dans cette phase, il est possible de constater, pour des laps de temps très brefs, des pics de CO également supérieurs à 1 000 ppm.

FONCTION AJUSTEMENT COMBUSTIONS (CO₂%)

Cette fonction sert à effectuer un réglage partiel de la valeur de CO₂%. La procédure est la suivante :

- appuyer simultanément sur les touches pendant au moins 6 secondes. Lorsque la fonction est activée, l'afficheur visualisera pendant quelques secondes l'indication « On » suivie ensuite par la ligne de programme « 304 » alternée à la valeur en % de la puissance de la chaudière.
- Après l'allumage du brûleur, la chaudière se place à la puissance ECS maximum (100). Lorsque l'afficheur indique « 100 » il est possible d'effectuer un ajustement partiel de la valeur de CO₂ % ;
- appuyer sur la touche ; l'afficheur indique « 00 » alterné au numéro de la fonction « 304 » (le symbole clignote) ;
- se servir des touches pour diminuer ou augmenter le pourcentage de CO₂ (de -3 à +3).
- appuyer sur la touche pour mémoriser la nouvelle valeur et revenir à l'affichage de la valeur de puissance « 100 » (la chaudière continue à fonctionner à la puissance maximum en ECS).

Cette procédure peut être utilisée également pour régler le pourcentage de CO₂ à la **puissance de mise en marche** et à la **puissance minimum** en se servant des touches après le point 5 de la procédure précédemment décrite.

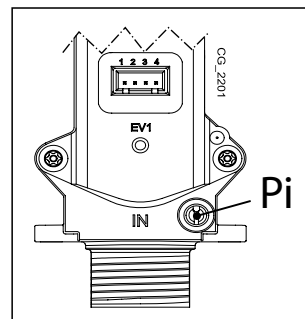
- Après avoir mémorisé la nouvelle valeur (point 5 de la procédure), appuyer sur la touche pour amener la chaudière à la **puissance d'allumage**. Attendre que la valeur de CO₂ soit stable, procéder ensuite au réglage comme cela est décrit au point 4 de la procédure (la valeur de puissance est un nombre <> 100 et <> 0) et enfin mémoriser (point 5).
- appuyer de nouveau sur la touche pour amener la chaudière à la **puissance minimum**. Attendre que la valeur de CO₂ soit stable puis procéder au réglage comme cela est décrit au point 4 de la procédure (la valeur de puissance = 00) ;
- pour quitter la fonction, appuyer pendant au moins 6 secondes sur les touches comme cela est décrit au point 1.

13. VANNE GAZ

Cet appareil n'a besoin d'aucun réglage mécanique sur la vanne. Le système est muni d'un dispositif d'adaptation électronique automatique.

Légende vanne gaz

Pi
Prise de pression alimentation gaz



13.1 MODALITÉS DE CHANGEMENT DE GAZ

Seul un Service d'assistance technique agréé peut adapter la chaudière au fonctionnement de gaz **NATUREL** à **GPL** ou vice-versa. Pour effectuer le tarage, configurer le paramètre **P02** comme indiqué au chapitre CONFIGURATION PARAMÈTRES. Enfin, vérifier les combustions comme indiqué au chapitre FONCTIONS SPÉCIALES - CONTRÔLE COMBUSTIONS.



Une fois les opérations de changement de gaz terminées nous vous conseillons d'indiquer le type de gaz sur la plaquette.

14. PROGRAMMATION PARAMÈTRES

Pour programmer les paramètres de la carte électronique de la chaudière, procéder de la façon suivante :

- Appuyer simultanément sur les touches pendant 6 secondes jusqu'à ce que la ligne de programme « P01 » soit affichée en alternance avec la valeur configurée ;
- Se servir des touches pour faire défiler la liste des paramètres ;
- En appuyant sur la touche , la valeur du paramètre sélectionné commence à clignoter ; se servir des touches pour modifier la valeur ;
- Appuyer sur la touche pour valider la valider ou bien appuyer sur la touche pour quitter sans enregistrer.



De plus amples informations concernant les paramètres indiqués dans le tableau suivant sont fournies avec les accessoires requis.



En cas d'installation au sol, régler le paramètre P16 (Chaudière) ou P15 (Régulateur d'amb.) = 01.

Chaudière	Régulateur d'amb.* 	DESCRIPTION PARAMÈTRES	RÉGLAGES D'USINE			
			24	20/24 MI	24/28 MI	28/33 MI
P01	P00	Informations producteur	01			
P02	P01	Type de gaz utilisé 00 = GAZ NATUREL - 01 = GPL	00			
P03	P02	Système hydraulique 00 = appareil instantané 03 = appareil instantané avec fonction de préchauffage 05 = appareil avec ballon externe 08 = appareil chauffage seulement	08	00	00	00
P04	P03	Réglage relais programmable 1 (voir instructions SERVICE)	02			
P05	P04	Réglage relais programmable 2 (voir instructions SERVICE)	04			
P06	P05	Configuration entrée sonde externe (voir instructions SERVICE)	00			
P07..P09	P06..P08	Informations producteur	--			
P10	P09	Réglage de la consigne de chauffage OT / RT (télécommande - Open Therm / Thermostat d'ambiance 230V ~) 00=La demande de température est la consigne de la télécommande 01=La demande de température est la consigne la plus élevée entre la télécommande et la chaudière 02=La demande de température est la consigne de la télécommande. Le thermostat d'ambiance active la chaudière	00			
P11..P12	P10..P11	Informations producteur	--			
P13	P12	Puissance maximum en chauffage (0-100 %)	100	80	86	80
P14	P13	Puissance maximum en ECS (0-100%)	100			
P15	P14	Puissance minimum en chauffage (0-100 %)	00			
P16	P15	Réglage maximum point de consigne (°C) chauffage 00 = 85 °C - 01 = 45 °C	00			
P17	P16	Temps de post-circulation pompe chauffage (01 ÷ 240 minutes)	03			
P18	P17	Temps d'attente en mode chauffage avant une nouvelle mise en marche (00 ÷ 10 minutes) - 00 = 10 secondes	03			
P19	P18	Informations producteur	07			
P20	P19	Temps de post-circulation pompe en ECS (secondes)	30			
P21	P20	Fonction anti-légionellose (°C) 00...54 = Désactivée - 55...67 = Activée (régler le valeur de température désirée)	00			
P22	P21**	Informations producteur	00			
P23	P22	Température maximum point de consigne eau chaude sanitaire (ECS)	60			
P24	P23	Informations producteur	35			
P25	P24	Dispositif de protection absence eau	00			
P26..P31	P25..P30	Informations producteur	--			
P32..P41	P31..P40	Diagnostic (voir instructions SERVICE)	--			
P67	P66	Réglage Open Therm (OT) (voir instructions SERVICE) 02 = Open Therm Standard	02			

* Le régulateur d'ambiance modulant doit à minima être de version 2.8

** L'accès aux réglages installateurs n'est pas possible via le régulateur d'ambiance modulant

14.1 RÉGLAGE DE LA PUISSANCE MAXIMALE DE CHAUFFAGE

Il est possible de diminuer la puissance maximale de chauffage de la chaudière selon les exigences de l'installation de chauffage asservie. Ci-après, le tableau avec les valeurs du paramètre **P13** selon la puissance maximale souhaitée pour chaque modèle de chaudière.

Pour accéder et modifier la valeur du paramètre **P13**, procéder comme indiqué au chapitre CONFIGURATION PARAMÈTRES.

Modèle de chaudière - PARAMETER P13 (%) / Puissance de chauffage (kW)

kW	24	20/24 MI	24/28 MI	28/33 MI
3,5	0	0		
4	2	2	0	
5	7	7	4	0
6	12	12	8	4
7	17	17	13	7
8	22	22	17	11
9	27	27	21	14
10	32	32	25	18
12	41	41	33	25
14	51	51	42	32
16	61	61	50	39
18	71	71	58	46
20	80	80	67	54
22	90		75	61
24	100		86	68
26				75
28				80

15. IDENTIFICATION ET RÉOLUTION DES PROBLÈMES

Les anomalies visualisées sur l'afficheur sont identifiées par le symbole **E** et par un numéro (code de l'anomalie). Pour connaître la liste complète des anomalies, voir le tableau suivant.

Si le symbole **R** est visualisé sur l'affiché, l'anomalie nécessite une REMISE À ZÉRO de la part de l'utilisateur.

Pour REMETTRE À ZÉRO la chaudière, appuyer pendant au moins 2 secondes sur la touche **WR**. En cas d'affichages fréquents d'anomalies, veuillez contacter un centre d'Assistance Technique agréé.

E	Description anomalie	Intervention Service
09	Erreur raccordement vanne gaz	Vérifier les raccordements de la vanne gaz avec la carte électronique.
10	Capteur sonde extérieure en panne	Contrôler le capteur (*).
12	Échec de commutation du pressostat différentiel hydraulique	Contrôler le bon fonctionnement du pressostat et le câblage.
13	Contacts collés du pressostat différentiel hydraulique	Voir interventions indiquées dans E12
15	Erreur de commande de la vanne gaz	Vérifier les raccordements de la vanne gaz avec la carte électronique. Le cas échéant, remplacer la carte électronique.
18	Remplissage automatique du circuit hydraulique en cours	Attendre la fin du cycle de remplissage.
19	Anomalie durant la phase de remplissage de l'installation	Contrôler le robinet de remplissage.
20	Capteur NTC de refoulement en panne	Contrôler le capteur (**). Vérifier la continuité du câblage de la sonde. Vérifier que le câblage n'est pas en court-circuit.
28	Capteur NTC fumées en panne	Contrôler la sonde NTC fumées (***) Vérifier la continuité du câblage de la sonde. Vérifier que le câblage n'est pas en court-circuit.
40	Capteur NTC de retour en panne	Voir interventions indiquées dans E20
50	Capteur NTC ECS endommagé (uniquement pour modèle chauffage seul avec ballon ECS)	Voir interventions indiquées dans E20
53	Conduit des fumées obstrué	Contrôler que le tuyau d'évacuation ne soit pas obstrué. Couper l'alimentation électrique à la chaudière pendant quelques secondes.
55	Carte électronique non étalonnée	Activer la fonction calibration automatique décrite dans la notice d'instructions des pièces de rechange.
83...87	Problème de communication entre carte chaudière et unité de commande. Probable court-circuit sur le câblage.	Contrôler les câblages entre l'appareil d'ambiance et la carte électronique ou la liaison RF.
92	Anomalie fumées pendant la phase d'étalonnage (recirculation de fumées probable)	Contrôler toute éventuelle recirculation de fumées. Activer la fonction de calibration automatique décrite au paragraphe ENTRETIEN ANNUEL - REMPLACEMENT DES COMPOSANTS.

109	Présence d'air dans le circuit de chaudière (anomalie temporaire)	Vérifier le fonctionnement de la pompe. Vérifier le câblage d'alimentation de la pompe.	
110	Intervention thermostat de sécurité pour surchauffe (pompe bloquée ou air dans le circuit de chauffage).	Vérifier le fonctionnement de la pompe. Vérifier le câblage d'alimentation de la pompe Vérifier l'intégrité du thermostat de seuil et le remplacer le cas échéant Vérifier la continuité du câblage du thermostat de seuil	
117	Pression circuit hydraulique trop élevée (> 2,7 bar)	Vérifiez que la pression de l'installation est égale à celle prescrite Voir paragraphe REMPLISSAGE CHAUDIÈRE.	
118	Pression circuit hydraulique trop basse	Si la pression du circuit CH est < 0,5 bar, procéder au remplissage (voir le paragraphe REMPLISSAGE CHAUDIÈRE). Vérifier le bon fonctionnement du pressostat hydraulique	
125	Intervention de sécurité pour absence de circulation. (contrôle effectué par un capteur de température)	Voir interventions indiquées dans E109	
128	Extinction flamme	Contrôler l'intégrité de l'électrode de détection et sa position (voir paragraphe ENTRETIEN ANNUEL – POSITIONNEMENT ELECTRODES). Vérifier la continuité du câble et le bon contact avec l'électrode de détection et l'allumeur. Voir interventions indiquées dans E92	
129	Extinction de flamme en allumage	Contrôler l'intégrité de l'électrode de détection et sa position (voir paragraphe ENTRETIEN ANNUEL – POSITIONNEMENT ELECTRODES). Vérifier la continuité du câble et le bon contact avec l'électrode de détection et l'allumeur. Contrôler toute éventuelle recirculation de fumées.	
130	Intervention sonde NTC fumées pour surchauffe	Vérifier l'échange thermique de l'échangeur eau/fumées : faible circulation possible ou présence de calcaire. Contrôler la sonde NTC fumées (***).	
133	Défaut d'allumage (5 tentatives)	Vérifier que la vanne d'arrêt du gaz est ouverte et qu'il n'y a pas d'air dans le circuit d'alimentation du gaz. Vérifier la pression d'alimentation du gaz. Vérifier la continuité du câble et le bon contact avec l'électrode de détection et l'allumeur. Voir interventions indiquées dans E92 Vérifier le bon fonctionnement de l'évacuation des condensats.	
134	Vanne gaz bloquée	Vérifier la pression d'alimentation du gaz. Contrôler l'intégrité et la position des électrodes de détection et allumage, ainsi que ses câblages (voir paragraphe ENTRETIEN ANNUEL – POSITIONNEMENT ELECTRODES). Le cas échéant, remplacer la carte électronique.	
135	Erreur interne carte	Remplacer la carte électronique.	
154	Test de contrôle de la sonde de refoulement/retour	Voir interventions indiquées dans E109	
160	Anomalie fonctionnement ventilateur	Vérifier le bon fonctionnement du ventilateur. Vérifier que le câblage d'alimentation du ventilateur est raccordé à la carte électronique.	
178	Intervention du thermostat de sécurité due à surchauffe sur installation à basse température	Vérifier le bon fonctionnement de la pompe et la circulation de l'eau dans l'installation à basse température. Vérifier le câblage d'alimentation de la pompe.	
317	162	Fréquence d'alimentation électrique erronée	Vérifier si la fréquence d'alimentation électrique erronée est due à des causes externes à la chaudière. Le cas échéant, contacter l'organisme de fourniture de l'énergie électrique.
321	163	Capteur NTC ECS endommagé	Voir interventions indiquées dans E20
384	164	Flamme parasite (anomalie interne)	Contrôler le bon fonctionnement de la vanne gaz.
385	165	Tension d'alimentation trop basse	Tension d'alimentation trop basse V<175V. Vérifier si les chutes d'alimentation sont dues à des causes extérieurs à la chaudière ; si tel est le cas, contacter la société de distribution de l'énergie électrique.

CH = circuit chauffage.

(*) Sonde externe : valeur de résistance à froid d'environ 1 kΩ à 25 °C (la résistance décroît proportionnellement à l'augmentation de la température).

(**) Capteur NTC de refoulement, retour et sanitaire : valeur de résistance à froid d'environ 10 kΩ à 25 °C (la résistance décroît proportionnellement à l'augmentation de la température).

(***) Sonde NTC fumées : valeur de résistance à froid d'environ 20 kΩ à 25 °C (la résistance décroît proportionnellement à l'augmentation de la température).



En cas d'anomalie, le rétroéclairage de l'afficheur s'allume et affiche le code d'erreur correspondant. Il est possible d'effectuer 5 tentatives consécutives de réarmement après quoi la chaudière se met en mode sécurité. Pour effectuer une nouvelle tentative de réarmement, il est nécessaire d'attendre au moins 15 minutes.

16. DISPOSITIFS DE RÉGLAGE ET DE SÉCURITÉ

La chaudière est construite selon toutes les prescriptions des Normes européennes de référence. Elle est notamment équipée des dispositifs suivants :

- **Thermostat de sécurité**

Ce dispositif, dont le capteur est placé au départ du chauffage, interrompt l'arrivée de gaz au brûleur en cas de surchauffe de l'eau contenue dans le circuit primaire.



Il est interdit de mettre ce dispositif hors-service.

- **Sonde NTC fumées**

Ce dispositif est situé sur l'échangeur eau fumées. La carte électronique bloque l'alimentation en gaz au brûleur en cas de surchauffe.



Il est interdit de mettre ce dispositif hors-service.

- **Détecteur de flamme par ionisation**

L'électrode de détection garantit la sécurité en cas de manque de gaz ou d'interallumage incomplet du brûleur principal. Dans ces conditions la chaudière est mise en sécurité.

- **Pressostat hydraulique**

Ce dispositif permet d'allumer le brûleur principal seulement si la pression de l'installation est supérieure à 0,5 bar.

- **Postcirculation pompe**

La postcirculation de la pompe, obtenue par gestion électronique, dure 3 minutes et est activée dans la fonction de chauffage, après la coupure du brûleur principal, par l'intervention du thermostat d'ambiance.

- **Dispositif antigel**

La gestion électronique de la chaudière dispose d'une fonction antigel en mode chauffage et en mode ECS. Lorsque la température de départ est inférieure à 5 °C, ce système met en marche le brûleur jusqu'à obtenir une température de départ de 30 °C. Cette fonction est opérationnelle si la chaudière est sous tension, s'il y a du gaz et si la pression de l'installation est celle prescrite.

- **Antiblocage pompe**

S'il n'y a pas de demande de chaleur en fonction chauffage et/ou en fonction sanitaire pendant 24 heures consécutives, la pompe se met en marche automatiquement pendant 10 secondes.

- **Antiblocage vanne à trois voies**

S'il n'y a pas de demande de chaleur en fonction chauffage pendant 24 heures, la vanne à trois voies effectue une commutation complète.

- **Soupape de sécurité hydraulique (circuit de chauffage)**

Ce dispositif, étalonné à 3 bars, est asservi au circuit de chauffage. Il est conseillé de raccorder la soupape de sécurité à un pot de purge. Il est interdit de l'utiliser pour vider le circuit de chauffage.

- **Pré-circulation de la pompe de chauffage**

En cas de demande de fonctionnement en mode chauffage, l'appareil peut procéder à une pré-circulation de la pompe avant allumage du brûleur. La durée de cette pré-circulation dépend de la température de fonctionnement et des conditions d'installation et elle varie de quelques secondes à plusieurs minutes.

17. CARACTÉRISTIQUES DÉBIT/HAUTEUR MANOMÉTRIQUE À LA PLAQUE

La pompe utilisée est du type à grande hauteur manométrique et adapté à l'utilisation sur n'importe quel type d'installation de chauffage mono ou bitube. La soupape automatique de purge de l'air incorporée dans le corps de la pompe permet une purge rapide de l'installation de chauffage.

LÉGENDE GRAPHIQUES POMPE - Annexe « SECTION » E

Q	DÉBIT	MIN	Vitesse de modulation minimale
H	HAUTEUR MANOMÉTRIQUE	MAX	Vitesse de modulation maximale

18. ENTRETIEN ANNUEL



Si la chaudière était en marche, laisser refroidir la chambre de combustion et les conduits.



Avant d'effectuer toute opération, couper l'alimentation électrique à la chaudière. Une fois les opérations d'entretien terminées, reprogrammer les paramètres d'origine de fonctionnement de la chaudière éventuellement modifiés.



Pour le nettoyage de l'appareil n'utilisez pas de substances abrasives, agressives et/ou facilement inflammables (comme par exemple essence, acétone, etc).

Pour assurer une efficacité optimale à la chaudière, il faut effectuer les contrôles suivants une fois par an :

- contrôle de l'aspect et de l'étanchéité des joints du circuit de gaz et du circuit de combustion. Remplacer les joints endommagés par des pièces de rechange neuves et originales ;
- contrôle de l'état et de la position des électrodes d'allumage et de détection de la flamme ;
- contrôle de l'état du brûleur et de sa fixation ;
- contrôle de la présence d'éventuelles impuretés à l'intérieur de la chambre de combustion ; Pour ce faire, utiliser un aspirateur ;
- contrôle de la pression de l'installation de chauffage ;
- contrôle de la pression du vase d'expansion ;
- contrôle du bon fonctionnement du ventilateur ;
- contrôle de la présence d'éventuelles obstructions dans les conduits d'évacuation et d'aspiration ;
- contrôle de la présence d'éventuelles impuretés à l'intérieur du siphon (pour les chaudières à condensation) ;
- contrôle de l'intégrité de l'anode de magnésium, si présente, dans les chaudières équipées de ballon.



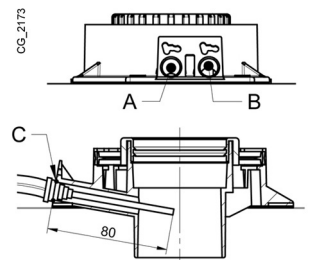
Pour la vidange et le nettoyage du siphon, veuillez ne pas utiliser le bouchon de service présent sur le fond de celui-ci. Sortez le siphon de la chaudière et nettoyez-le avec un jet d'eau. Remplissez le siphon d'eau claire et remettez-le en place en veillant à ce que toutes les connexions soient bien rétablies.

18.1 PARAMÈTRES DE COMBUSTION

Pour mesurer le rendement de la combustion et le niveau d'hygiène des produits de combustion, la chaudière est équipée de deux prises destinées à cet usage spécifique. Une prise est raccordée au circuit d'évacuation des fumées (A) et permet de relever le niveau d'hygiène des produits de combustion ainsi que le rendement de la combustion. L'autre est raccordée au circuit d'aspiration de l'air comburant (B) dans laquelle on peut contrôler la remise en circulation éventuelle des produits de combustion dans le cas de conduits coaxiaux. Dans la prise raccordée au circuit des fumées on peut relever les paramètres suivants :

- température des produits de combustion ;
- concentration d'oxygène (O₂) ou de dioxyde de carbone (CO₂);
- concentration d'oxyde de carbone (CO).

La température de l'air comburant doit être relevée dans la prise raccordée au circuit d'aspiration de l'air (B), en introduisant la sonde de mesure pour environ 8 cm (C).



Pour activer la « FONCTION DE RAMONAGE » voir le paragraphe 12.3.

18.2 GROUPE HYDRAULIQUE

Pour des zones particulières, où les caractéristiques de dureté de l'eau dépassent les valeurs de 20 °F (1 °F = 10 mg de carbonate de calcium par litre d'eau) il faut prévoir l'installation d'un doseur de polyphosphates ou de tout autre appareil d'une efficacité au moins équivalente conforme aux réglementations en vigueur.

LÉGENDE - Annexe « SECTION F »

A	Vis de fixation de l'échangeur sanitaire
B	Capteur de priorité sanitaire avec filtre
C	Robinet d'évacuation chaudière / installation (C-1 & C-2: accès au robinet C - côté inférieur de la chaudière)
D	Robinet de remplissage chaudière / installation
E	Sonde de température NTC sanitaire
F	Capteur de pression eau circuit de chauffage

18.2.1 NETTOYAGE DU FILTRE EAU FROIDE

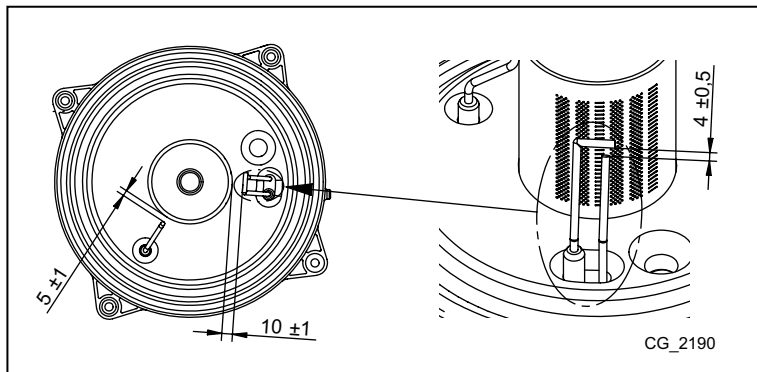
La chaudière est équipée d'un filtre eau froide, placé sur le groupe hydraulique (B). Pour nettoyer le filtre procéder de la manière suivante :

- vider l'eau contenue dans le circuit sanitaire ;
- dévisser l'écrou présent sur le groupe capteur de flu ;
- extraire de son logement le capteur et son filtre ;
- éliminer les impuretés éventuellement présentes.



En cas de remplacement et/ou nettoyage des joints toriques "OR" du groupe hydraulique, ne pas utiliser comme lubrifiants des huiles ou des graisses mais exclusivement de la Molykote 111.

18.3 POSITIONNEMENT DES ÉLECTRODES



18.4 REMPLACEMENT DES COMPOSANTS

En cas de remplacement d'un des composants suivants ou de plusieurs d'entre eux :



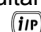
- Échangeur eau-fumées
- Ventilateur
- Vanne gaz
- Injecteur gaz
- Brûleur
- Électrode de détection de flamme

il est nécessaire d'activer la procédure d'Étalonnage Automatique décrite ci-après, puis contrôler et au besoin régler la valeur de CO₂% comme cela est décrit au paragraphe « FONCTION AJUSTEMENT COMBUSTIONS (CO₂%) ».



Lors de toute intervention sur la chaudière, il est recommandé de contrôler l'intégrité et la position de l'électrode de détection de flamme et de la remplacer si elle est endommagée.



FONCTION D'ÉTALONNAGE AUTOMATIQUE

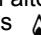

Appuyer simultanément pendant au moins 6 secondes sur les touches   , puis lorsque l'afficheur indique « On » appuyer sur la touche  (d'ici 3 secondes après avoir appuyé sur les touches précédentes).

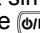


Si l'afficheur indique « 303 » cela signifie que la fonction d'Étalonnage Automatique n'a pas été activée. Mettre la chaudière hors tension pendant quelques secondes puis recommencer la procédure précédemment décrite.

Lorsque la fonction est activée, les symboles   clignotent sur l'afficheur.

Après la séquence d'allumage, qui peut parfois nécessiter plusieurs tentatives, la chaudière effectue trois opérations (d'une durée d'environ 1 minute chacune), à savoir qu'elle se place tout d'abord à la puissance maximum, puis à la puissance d'allumage et enfin à la puissance minimum. Avant de passer à l'étape successive (de la puissance maximum à la puissance d'allumage et ensuite à la puissance minimum), l'afficheur montrera pendant quelques secondes les symboles   . Pendant cette phase, l'afficheur montre, en alternance, le niveau de puissance atteint par la chaudière et la température de départ.

Lorsque les symboles   clignotent simultanément, cela signifie que la fonction d'étalonnage est terminée.

Pour quitter la fonction, appuyer sur la touche  ; l'afficheur montre l'indication ESC (Échap).

19. DÉMANTÈLEMENT, ÉLIMINATION ET RECYCLAGE



Seuls des techniciens qualifiés sont autorisés à intervenir sur l'appareil et l'installation.

Avant de démonter l'appareil, s'assurer que la source d'alimentation est débranchée, que la vanne d'arrivée de gaz est fermée et que tous les branchements de l'installation et de la chaudière sont mis en sécurité.

Éliminer l'appareil correctement conformément aux lois et dispositions en vigueur. L'appareil et les accessoires ne peuvent pas être éliminés avec les déchets normaux.

Plus de 90% des matériaux composant l'appareil sont recyclables.

20. CARACTÉRISTIQUES TECHNIQUES

Modèles : MPX		24 COMPACT	20/24 MI COMPACT	24/28 MI COMPACT	28/33 MI COMPACT
Cat.		II2H3P			
Type de gaz	-	G20 - G31			
Débit thermique nominal sanitaire	kW	-	24,7	28,9	34,0
Débit thermique nominal chauffage	kW	24,7	20,6	24,7	28,9
Débit thermique réduit	kW	3,5	3,5	3,9	4,8
Puissance thermique nominale sanitaire	kW	-	24,0	28,0	33,0
Puissance thermique nominale 80/60 °C	kW	24,0	20,0	24,0	28,0
Puissance thermique nominale 50/30 °C	kW	26,1	21,8	26,1	30,6
Puissance thermique réduite 80/60 °C	kW	3,4	3,4	3,8	4,7
Puissance thermique réduite 50/30 °C	kW	3,7	3,7	4,1	5,1
Rendement nominal 50/30 °C	%	105,7	105,8	105,8	105,8
Rendement 30% Pn	%	108,8	108,8	108,8	108,9
Pression maximum eau circuit de chauffage	bar	3,0			
Pression minimum eau circuit de chauffage	bar	0,5			
Capacité eau vase d'expansion	l	7			
Pression minimum du vase d'expansion	bar	0,8			
Pression maximum eau circuit sanitaire	bar	-	8,0	8,0	8,0
Pression minimum dynamique circuit sanitaire	bar	-	0,15	0,15	0,15
Débit minimum eau circuit sanitaire	l/min	-	2,0	2,0	2,0
Production eau sanitaire avec $\Delta T = 25$ °C	l/min	-	13,8	16,1	18,9
Production eau sanitaire avec $\Delta T = 35$ °C	l/min	-	9,8	11,5	13,5
Débit spécifique « D » (EN 13203-1)	l/min	-	11,5	13,4	15,8
Plage températures circuit de Chauffage/ECS	°C	25+80 / 35+60			
Typologie décharges	-	C13(x) - C33(x) - C43(x) - C43P - C53(x) C63(x) - C83(x) - C93(x) - B23 - B23P			
Diamètre conduit d'évacuation concentrique	mm	60/100			
Diamètre conduits évacuation séparés	mm	80/80			
Débit massique des fumées max.	kg/s	0,0012	0,012	0,014	0,016
Débit massique des fumées min.	kg/s	0,002	0,002	0,002	0,002
Température des fumées max.	°C	80			
Classe NOx	-	6			
Pression d'alimentation gaz 2H (G20)	mbar	20			
Pression d'alimentation gaz 3P (G31)	mbar	37			
Tension/Fréquence d'alimentation électrique	V/Hz	230 / 50			
Puissance électrique nominale	W	85	85	99	106
Poids net	kg	30	34	34	35
Dimensions hauteur / largeur / profondeur	mm	700 / 400 / 299			
Indice de protection contre l'humidité (EN 60529)	-	IPX5D			
Certificat CE	n°	0085CL0214			

CONSOMMATIONS DÉBIT THERMIQUE Qmax et Qmin

Qmax (G20) - 2H	m³/h	2,61	2,61	3,06	3,60
Qmin (G20) - 2H	m³/h	0,37	0,37	0,41	0,51
Qmax (G31) - 3P	kg/h	1,92	1,92	2,25	2,64
Qmin (G31) - 3P	kg/h	0,27	0,27	0,30	0,37

21. PARAMÈTRES TECHNIQUES

DE DIETRICH MPX			24 COMPACT	20/24 MI COMPACT	24/28 MI COMPACT	28/33 MI COMPACT
Chaudière à condensation			Oui	Oui	Oui	Oui
Chaudière basse température ⁽¹⁾			Non	Non	Non	Non
Chaudière de type B1			Non	Non	Non	Non
Dispositif de chauffage des locaux par co-génération			Non	Non	Non	Non
Dispositif de chauffage mixte			Non	Oui	Oui	Oui
Puissance thermique nominale	<i>Prated</i>	kW	24	20	24	28
Production de chaleur utile à la puissance thermique nominale et en régime haute température ⁽²⁾	<i>P₄</i>	kW	24.0	20.0	24.0	28.0
Production de chaleur utile à 30 % de la puissance thermique nominale et en régime basse température ⁽¹⁾	<i>P₁</i>	kW	8.0	6.7	8.0	9.4
Efficacité énergétique saisonnière pour le chauffage des locaux	<i>η_s</i>	%	93	93	93	93
Efficacité utile à la puissance thermique nominale et en régime haute température ⁽²⁾	<i>η₄</i>	%	87.9	88.0	87.9	88.1
Efficacité utile à 30 % de la puissance thermique nominale et en régime basse température ⁽¹⁾	<i>η₁</i>	%	98.0	98.0	98.0	98.1
Consommation d'électricité auxiliaire						
Pleine charge	<i>elmax</i>	kW	0.042	0.030	0.042	0.041
Charge partielle	<i>elmin</i>	kW	0.013	0.013	0.013	0.013
Mode veille	<i>P_{SB}</i>	kW	0.003	0.003	0.003	0.003
Autres caractéristiques						
Pertes thermiques en régime stabilisé	<i>P_{stby}</i>	kW	0.035	0.035	0.035	0.040
Consommation d'électricité du brûleur d'allumage	<i>P_{ign}</i>	kW	0.000	0.000	0.000	0.000
Consommation annuelle d'énergie	<i>Q_{HE}</i>	GJ	74	62	74	87
Niveau de puissance acoustique, à l'intérieur	<i>L_{WA}</i>	dB	52	49	48	53
Émissions d'oxydes d'azote	NO _x	mg/kWh	16	15	17	15
Paramètres eau chaude sanitaire						
Profil de soutirage déclaré				XL	XL	XXL
Consommation journalière d'électricité	<i>Q_{elec}</i>	kWh		0.162	0.232	0.214
Consommation annuelle d'électricité	<i>AEC</i>	kWh		36	51	47
Efficacité énergétique pour le chauffage de l'eau	<i>η_{wh}</i>	%		88	86	87
Consommation journalière de combustible	<i>Q_{fuel}</i>	kWh		21.780	22.470	27.820
Consommation annuelle de combustible	<i>AFC</i>	GJ		17	17	22
<p>(1) Par basse température, on entend une température de retour (à l'entrée du dispositif de chauffage), de 30 °C pour les chaudières à condensation, de 37 °C pour les chaudières basse température et de 50 °C pour les autres dispositifs de chauffage.</p> <p>(2) Par régime haute température, on entend une température de retour de 60 °C à l'entrée du dispositif de chauffage et une température d'alimentation de 80 °C à la sortie du dispositif de chauffage.</p>						

22.FICHE DE PRODUIT

DE DIETRICH MPX		24 COMPACT	20/24 MI COMPACT	24/28 MI COMPACT	28/33 MI COMPACT
Chauffage des locaux - application à température		Moyenne	Moyenne	Moyenne	Moyenne
Chauffage de l'eau - Profil de soutirage déclaré			XL	XL	XL
Classe d'efficacité énergétique saisonnière pour le chauffage des locaux		A	A	A	A
Classe d'efficacité énergétique pour le chauffage de l'eau			A	A	A
Puissance thermique nominale (<i>Prated ou Psup</i>)	kW	24	20	24	28
Chauffage des locaux - consommation annuelle d'énergie	GJ	74	62	74	87
Chauffage de l'eau - consommation annuelle d'énergie	kWh ⁽¹⁾ GJ ⁽²⁾		36 17	51 17	47 22
Efficacité énergétique saisonnière pour le chauffage des locaux	%	93	93	93	93
Efficacité énergétique pour le chauffage de l'eau	%		88	86	87
Niveau de puissance acoustique L _{WA} à l'intérieur	dB	52	49	48	53
(1) Électricité (2) Combustible					

Stimate Client,

Compania noastră consideră că noua centrală termică pe care ați procurat-o va răspunde tuturor cerințelor Dumneavoastră. Achiziționarea unui produs al companiei noastre asigură îndeplinirea tuturor așteptărilor Dumneavoastră: o bună funcționare și o utilizare simplă și rațională.

Vă recomandăm să nu lăsați deoparte aceste instrucțiuni fără a le fi citit: ele conțin informații utile pentru o exploatare corectă și eficientă a centralei Dumneavoastră.

Compania noastră declară că aceste produse poartă marcajul **CE** și îndeplinesc cerințele următoarelor directive:

- Directiva **2009/142/CE** privind aparatele consumatoare de combustibili gazoși (până la 20 Aprilie 2018)
- Regulamentul (UE) **2016/426** privind aparatele consumatoare de combustibili gazoși (din 20 Aprilie 2018)
- Directiva **92/42/CEE** privind cerințele de randament pentru cazane
- Directiva **2014/30/UE** privind compatibilitatea electromagnetică
- Directiva **2014/35/UE** privind echipamentele de joasă tensiune
- Directiva **2009/125/CE** privind de proiectare ecologică
- Regulamentul (UE) NR. **2017/1369** (pentru centrale cu puterea <70kW)
- Regulamentul (UE) NR. **813/2013** privind proiectarea ecologică
- Regulamentul (UE) NR. **811/2013** privind etichetarea energetică (pentru centrale cu puterea <70kW)



Compania noastră, în efortul de a-și îmbunătăți mereu produsele, își rezervă dreptul de a modifica datele conținute în acest document în orice moment și fără preaviz. Aceste instrucțiuni au doar scopul să furnizeze informații privitoare la produs și în nici un caz nu pot fi considerate ca un contract cu terțe părți.

Aparatul poate fi utilizat de copii cu vârsta de cel puțin 8 ani, de persoane cu capacitate fizice, senzoriale sau mentale reduse sau de persoane lipsite de experiență și cunoștințe numai dacă sunt supravegheate sau au primit instrucțiuni cu privire la utilizarea în siguranță a aparatului și au înțeles pericolele aferente utilizării. Nu le permiteți copiilor să se joace cu aparatul. Operațiile de curățare și întreținere care cad în sarcina utilizatorului nu trebuie să fie efectuate de copii fără supraveghere.

CUPRINS

SEMNIȚAȚIA SIMBOLURILOR	108
AVERTIZĂRI DE SIGURANȚĂ	108
AVERTIZĂRI GENERALE	109
SFATURI PENTRU ECONOMISIREA ENERGIEI	109
1. PUNEREA ÎN FUNCȚIUNE A CENTRALEI TERMICE	110
1.1 REGLAREA TEMPERATURII APEI DIN TURUL INSTALAȚIEI DE ÎNCĂLZIRE ȘI A APEI CALDE MENAJERE	110
1.2 MODURI DE FUNCȚIONARE	110
2. OPRIREA INSTALAȚIEI PE O PERIOADĂ ÎNDELUNGATĂ. PROTECȚIA LA ÎNGHEȚ	111
3. SCHIMBAREA TIPULUI DE GAZ	111
4. ANOMALII	111
5. MENIUL DE INFORMAȚII PRIVIND CENTRALA	112
6. OPRIREA CENTRALEI TERMICE	112
7. UEMPLEREA INSTALAȚIEI	112
AVERTIZĂRI ANTERIOARE INSTALĂRII	113
9. INSTALAREA CENTRALEI TERMICE	113
9.1 CONȚINUTUL AMBALAJULUI	113
9.2 DIMENSIUNILE CENTRALEI TERMICE	113
10. INSTALAREA CONDUCTELOR	114
10.1 CONDUCTE COAXIALE	114
10.2 CONDUCTE SEPARATE	115
11. CONECTAREA LA REȚEAUA ELECTRICĂ	116
11.1 CONECTAREA TERMOSTATULUI AMBIENTAL	116
11.2 ACCESORII NEINCLUSE ÎN DOTAREA STANDARD	116
12. FUNCȚII SPECIALE	117
12.1 PRIMĂ PORNIRE	117
12.2 FUNCȚIA DE DEZAERISIRE A INSTALAȚIEI	117
12.3 FUNCȚIA DE CURĂȚARE A COȘULUI	117
12.4 CONTROLUL PRODUSELOR DE ARDERE (CO ₂)	118
FUNCȚIA DE AJUSTARE A PRODUSELOR DE ARDERE (CO ₂ %)	118
13. VANA DE GAZ	118
13.1 MODALITĂȚI DE SCHIMBARE A TIPULUI DE GAZ	118
14. SETAREA PARAMETRILOR	119
14.1 REGLAREA PUTERII MAXIME ÎN REGIM DE ÎNCĂLZIRE	120
15. IDENTIFICAREA ȘI REZOLVAREA ANOMALIILOR DE CĂTRE SERVICE	120
16. DISPOZITIVE DE CONTROL ȘI SIGURANȚĂ	122
17. PERFORMANȚE DEBIT/ÎNĂLȚIME DE POMPARE	122
18. ÎNȚREȚINEREA ANUALĂ	123
18.1 PARAMETRI DE COMBUSTIE	123
18.2 GRUP HIDRAULIC	123
18.3 POZIȚIONAREA ELECTROZILOR	124
18.4 ÎNLOCUIREA COMPONENTELOR	124
FUNCȚIA DE REGLARE AUTOMATĂ	124
19. DEZINSTALAREA, ELIMINAREA ȘI RECICLAREA	124
20. CARACTERISTICI TEHNICE	125
21. PARAMETRI TEHNICI	126
22. FIȘĂ DE PRODUS	127

SEMNIFICAȚIA SIMBOLURILOR



ATENȚIE

Risc de deteriorare sau de funcționare defectuoasă a aparatului. Fiți atenți la avertizările de pericol privitoare la eventualele daune care pot fi cauzate persoanelor.



PERICOL DE ARSURI

Înainte de a interveni asupra părților expuse la căldură, lăsați aparatul să se răcească.



PERICOL DE ELECTROCUTARE

Părți electrice aflate sub tensiune, pericol de șoc electric.



PERICOL DE INCENDIU

Materiale sau gaze potențial inflamabile.



PERICOL DE ÎNGHEȚ

Posibilă formare a gheții din cauza temperaturii reduse.



INFORMAȚII IMPORTANTE

Informații care trebuie citite cu multa atenție, în vederea asigurării unei exploatare corecte a centralei termice.



INTERZICERI GENERALE

Se interzice efectuarea operațiilor sau utilizarea obiectelor indicate lângă simbol.

AVERTIZĂRI DE SIGURANȚĂ

MIROS DE GAZ

- Opriți centrala.
- Nu acționați nici un dispozitiv electric (de exemplu, nu aprindeți lumina).
- Stingeți eventualele flăcări deschise și deschideți ferestrele.
- Adresați-vă Centrului de Asistență Tehnică autorizat.

MIROS DE ARDERE

- Opriți centrala.
- Aerisiți încăperea prin deschiderea ușilor și ferestrelor.
- Adresați-vă Centrului de Asistență Tehnică autorizat.

MATERIALE INFLAMABILE

Nu folosiți și/sau nu păstrați materiale ușor inflamabile (diluanti, hârtie, etc.) în apropierea centralei.

ÎNTREȚINEREA ȘI CURĂȚAREA CENTRALEI

Înainte de efectuarea oricărei intervenții, opriți alimentarea centralei cu energie electrică.



Fragmentele de ambalaj (pungi din plastic, polistiren, etc.) nu trebuie lăsate la îndemâna copiilor, întrucât constituie potențiale surse de pericol.



Acest aparat nu este destinat a fi utilizat de persoane cu capacități fizice, senzoriale sau mentale reduse sau de persoane lipsite de experiență și cunoștințe, decât dacă sunt supravegheate sau au primit instrucțiuni cu privire la utilizarea aparatului de la o persoană responsabilă pentru siguranța lor.

AVERTIZĂRI GENERALE

Această centrală este destinată încălzirii apei la o temperatură inferioară celei de fierbere la presiune atmosferică. Centrala trebuie racordată la o instalație de încălzire și la o instalație de distribuție a apei calde menajere, compatibile cu prestațiile și puterea sa. Înainte de racordarea centralei, de către personal calificat profesional, este necesară efectuarea următoarelor operațiuni:

- Efectuarea unui control pentru a afla dacă centrala este proiectată pentru funcționarea cu tipul de gaz disponibil. Acest lucru este indicat pe ambalaj și pe placa tipologică a aparatului.
- Efectuarea unui control al coșului de fum pentru a verifica dacă acesta are un tiraj corespunzător și pentru a vă asigura că nu prezintă strângulări și nu sunt introduse în horn conducte de evacuare de la alte aparate, cu excepția cazului în care acesta este realizat pentru a colecta gazele arse de la mai multe aparate, potrivit normelor specifice și dispozițiilor în vigoare.
- Efectuarea unui control pentru a vă asigura că, în cazul racordurilor la hornuri preexistente, acestea au fost curățate perfect, întrucât reziduurile care se desprind de pe pereți în timpul funcționării ar putea împiedica circulația fumului.
- Pe lângă acestea, este indispensabil, în scopul păstrării unei funcționări corecte și garanției aparatului, să respectați instrucțiunile din continuare.

1. Circuit de apă menajeră

1.1 Dacă durezza apei depășește valoarea de 20 °F (1°F = 10 mg de carbonat de calciu la litru de apă), este necesară instalarea unui dozator de polifosfați sau a unui sistem cu efect identic, care să corespundă normativelor în vigoare.

1.2 Instalația trebuie spălată cu grijă după montarea aparatului și înainte de utilizare.

1.3 Materialele utilizate pentru circuitul de apă menajeră sunt conforme cu prevederile Directivei 98/83/CE.

2. Circuit de încălzire

2.1 Instalație nouă: Înainte de montarea centralei, instalația trebuie curățată corespunzător, în scopul îndepărtării reziduurilor rămase de la filetări, sudări și eventuali solvenți, utilizând produse adecvate disponibile pe piață, fără acid și nealcaline, care să nu atace metalele, părțile din plastic și cauciuc. Pentru protejerea instalației de incrustații este necesară utilizarea produselor inhibitoare, cum ar fi SENTINEL X100 și FERNOX Protector pentru instalațiile de încălzire. La utilizarea acestor produse urmați întocmai instrucțiunile care le însoțesc.

2.2 Instalație existentă: Înainte de montarea centralei, instalația trebuie să fie complet golită și curățată corespunzător de murdărie și impurități utilizând produsele adecvate disponibile pe piață. Produsele recomandate pentru curățare sunt: SENTINEL X300 sau X400 și FERNOX Regenerator pentru instalațiile de încălzire. La utilizarea acestor produse urmați întocmai instrucțiunile care le însoțesc. Amintim că prezența unor depuneri în instalația de încălzire cauzează probleme funcționale centralei (ex: supraîncălzire și zgomote la nivelul schimbătorului).

Prima aprindere trebuie să fie efectuată de Serviciul de Asistență Tehnică autorizat care va verifica următoarele:

- Ca datele de pe placa tipologică a aparatelor să corespundă cu cele ale rețelelor de alimentare cu energie electrică, apă, gaz.
- Ca instalarea să fie conformă cu reglementările în vigoare.
- Ca racordarea electrică să fi fost efectuată regulamentar la o rețea cu împământare.



Nerespectarea acestor avertismente atrage după sine pierderea garanției aparatului. Înainte de punerea în funcțiune, îndepărtați pelicula protectoare de pe centrală. Nu utilizați în acest scop instrumente sau materiale abrazive, întrucât ar putea deteriora suprafețele vopsite.

SFATURI PENTRU ECONOMISIREA ENERGIEI

Reglarea încălzirii

Reglați temperatura din turul centralei în funcție de tipul instalației. Pentru instalațiile cu calorifere se recomandă setarea unei temperaturi maxime a apei din turul circuitului de încălzire de circa 60°C; măriți această valoare în cazul în care nu se atinge confortul termic dorit. În cazul instalației de încălzire prin pardoseală cu panouri radiante, nu depășiți temperatura indicată de proiectant. Se recomandă utilizarea unei sonde externe și/sau a unui panou de control pentru reglarea automată a temperaturii din tur în funcție de condițiile atmosferice sau de temperatura din încăpere. În acest fel cantitatea de căldură produsă nu este mai mare decât cea necesară efectiv. Reglați temperatura ambiantă astfel încât să nu supraîncălziți încăperile. Fiecare grad în plus determină o creștere a consumului de energie cu circa 6%. La reglarea temperaturii luați în considerare de asemenea destinația încăperii. De exemplu, pentru dormitor sau pentru alte camere puțin utilizate poate fi aleasă o temperatură mai redusă. Folosiți programarea pe ore, iar pentru noapte setați o temperatură mai mică cu circa 5°C față de cea aleasă pentru zi. O reducere mai mare a temperaturii nu mai este convenabilă din punct de vedere al costurilor. Numai în cazul unor absențe îndelungate, de exemplu când plecați în vacanță, temperatura trebuie redusă ulterior. Nu acoperiți radiatoarele, pentru a nu împiedica circulația corectă a aerului. Pentru aerisirea încăperilor, nu lăsați ferestrele întredeschise, ci deschideți-le complet pentru o scurtă perioadă de timp.

Apa caldă menajeră

Pentru o bună economisire, setați temperatura dorită a apei calde menajere astfel încât să nu fie necesară amestecarea cu apă rece. O încălzire excesivă duce la risipa de energie și la formarea crescută de calcar.

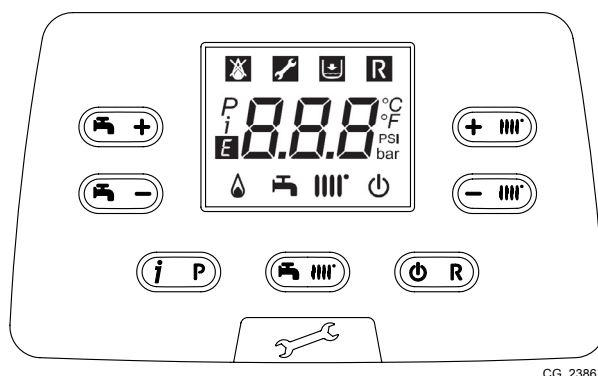
1. PUNEREA ÎN FUNCȚIUNE A CENTRALEI TERMICE

Pentru o pornire corectă, procedați conform indicațiilor de mai jos:

- Verificați ca presiunea hidraulică din instalație să corespundă cu cea recomandată (capitolul 7);
- Alimentați centrala cu curent;
- Deschideți robinetul de gaz (de culoare galbenă, de obicei poziționat sub centrală);
- Selectați modul de încălzire dorit (capitolul 1.2).

Legendă TASTE

	Reglare a temperaturii apei din circuitul de apă menajeră (butonul + pentru a mări temperatura și butonul – pentru a o micșora)
	Reglare a temperaturii apei din circuitul de încălzire (butonul + pentru a mări temperatura și butonul – pentru a o micșora)
	Informații privind funcționarea centralei
	Mod de funcționare: Apă caldă menajeră - Apă caldă menajeră & Încălzire - numai Încălzire
	Oprit – Reset – leșire meniu/funcții



CG_2386

Legendă SIMBOLURI

	Oprit: moduri Încălzire și Apă caldă menajeră dezactivate (este activă numai funcția de protecție la îngheț a centralei)		Arzător aprins
	Anomalie care împiedică aprinderea arzătorului		Mod de funcționare Apă caldă menajeră activat
	Presiune scăzută a apei în centrală/instalație		Mod de funcționare Încălzire activat
	Este necesară intervenția Serviciului de Asistență Tehnică		Meniu de programare
	Anomalie resetabilă manual (butonul)		Meniu de informații privind centrala
	Anomalie în curs	°C, °F, bar, PSI	Unități de măsură setate (SI/US)

1.1 REGLAREA TEMPERATURII APEI DIN TURUL INSTALAȚIEI DE ÎNCĂLZIRE ȘI A APEI CALDE MENAJERE

Reglarea temperaturii apei din turul instalației de încălzire și a apei calde menajere (în prezența unui boiler extern) se efectuează cu ajutorul butoanelor și respectiv . Aprinderea arzătorului este semnalată pe display prin simbolul .

ÎNCĂLZIRE: când centrala funcționează în modul Încălzire, pe display este afișat simbolul clipind intermitent și temperatura din turul circuitului de încălzire (°C).

În cazul conectării unei sonde externe, butoanele reglează indirect temperatura din încăperea (valoare implicită 20°C, vezi capitolul 11.2.1).

APĂ CALDĂ MENAJERĂ: Când centrala funcționează în modul Apă caldă menajeră, pe display este afișat simbolul clipind intermitent și temperatura din circuitul primar al centralei (°C).

1.2 MODURI DE FUNCȚIONARE

SIMBOL AFIȘAT	MOD DE FUNCȚIONARE
	APĂ CALDĂ MENAJERĂ
	APĂ CALDĂ MENAJERĂ & ÎNCĂLZIRE
	NUMAI ÎNCĂLZIRE

Pentru a activa funcționarea aparatului în modul **Apă caldă menajeră - Încălzire** sau **Numai Încălzire** apăsați repetat butonul și alegeți unul dintre cele trei moduri de funcționare disponibile.

Pentru a dezactiva modurile de funcționare a centralei menținând activă funcția de protecție la îngheț, apăsați timp de cel puțin 3 secunde butonul ; pe display va apărea numai simbolul (când centrala este blocată, retroiluminarea displayului clipește).

2. OPRIREA INSTALAȚIEI PE O PERIOADĂ ÎNDELUNGATĂ. PROTECȚIA LA ÎNGHEȚ

Se recomandă evitarea golirii întregii instalații de încălzire, întrucât schimburile de apă au ca efect depunerile de calcar, inutile și dăunătoare, în interiorul centralei și al corpurilor de încălzire. Dacă pe timp de iarnă instalația termică nu este folosită și în cazul pericolului de îngheț, se recomandă amestecarea apei din instalație cu soluții anticongelante potrivite, destinate acestei întrebuintări specifice (ex: glicol propilenic asociat cu inhibitori ai incrustațiilor și coroziunii). Unitatea electronică a centralei este prevăzută cu o funcție "Antiîngheț" care, la o temperatură a apei din turul instalației mai mică de 5°C, face să funcționeze arzătorul până la atingerea în tur a unei valori de 30 °C.



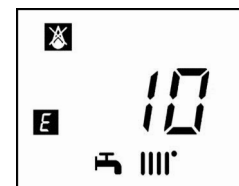
Funcția este activă numai dacă centrala este alimentată cu energie electrică și cu gaz, presiunea instalației este cea recomandată, centrala nu este blocată.

3. SCHIMBAREA TIPULUI DE GAZ

Centralele pot funcționa fie cu gaz metan (G20), fie cu gaz GPL (G31). În cazul în care doriți să schimbați tipul de gaz, adresați-vă SERVICIULUI DE ASISTENȚĂ TEHNICĂ AUTORIZAT.

4. ANOMALII

Anomaliile de funcționare afișate pe display sunt identificate prin simbolul **E** și printr-un număr (codul anomaliei). Lista completă a anomaliilor este prezentată în tabelul de mai jos. Dacă pe display apare simbolul **R**, anomalia necesită o RESETARE de către utilizator. Pentru a RESETA centrala, apăsați timp de 2 secunde butonul **(ON)**. În cazul în care se constată afișări frecvente de anomalie, contactați Serviciul de Asistență Tehnică autorizat.



E	Descriere a anomaliei	Rezolvare
09	Eroare conectare vană de gaz	Contactați centrul de asistență tehnică autorizat.
10	Senzor sondă externă defect	Contactați centrul de asistență tehnică autorizat.
12	Lipsă de comutare presostat diferențial hidraulic	Contactați centrul de asistență tehnică autorizat.
13	Contacte lipite la presostatul diferențial hidraulic	Contactați centrul de asistență tehnică autorizat.
15	Eroare de comandă a vanei de gaz	Contactați centrul de asistență tehnică autorizat.
18	Umplere automată a circuitului hidraulic în curs de desfășurare	Așteptați finalizarea ciclului de umplere
19	Anomalie în faza de umplere a instalației	Apăsați timp de cel puțin 2 secunde butonul R
20	Senzor NTC de tur defect	Contactați centrul de asistență tehnică autorizat.
28	Senzor NTC gaze arse defect	Contactați centrul de asistență tehnică autorizat.
40	Senzor NTC retur defect	Contactați centrul de asistență tehnică autorizat.
50	Senzor NTC apă caldă menajeră defect (pentru modelele folosite numai pentru încălzire cu boiler)	Contactați centrul de asistență tehnică autorizat.
53	Conductă gaze arse înfundată	Oprii pentru câteva secunde alimentarea centralei cu energie electrică. Dacă anomalia persistă, contactați centrul de asistență tehnică autorizat
55	Placă electronică nereglată	Contactați centrul de asistență tehnică autorizat.
83...87	Problemă de comunicare dintre placa electronică a centralei și unitatea de comandă. Posibil scurtcircuit la cabluri.	Contactați centrul de asistență tehnică autorizat.
92	Anomalie gaze arse în faza de reglare (posibilă recirculare a gazelor arse)	Contactați centrul de asistență tehnică autorizat.
109	Prezență a aerului în circuitul centralei (anomalie temporară)	Contactați centrul de asistență tehnică autorizat.
110	Intrare în funcțiune a termostatului de siguranță din cauza supratemperaturii (pomă blocată sau aer în circuitul de încălzire).	Apăsați timp de cel puțin 2 secunde butonul R
117	Presiune prea mare în circuitul hidraulic (> 2,7 bar)	Contactați centrul de asistență tehnică autorizat.
118	Presiune prea mică în circuitul hidraulic	Verificați ca presiunea în instalație să corespundă cu cea recomandată. Vezi secțiunea "UMPLEREA INSTALAȚIEI".
125	Intrare în funcțiune a dispozitivului de siguranță din cauza lipsei de circulație a apei (control efectuat prin intermediul unui senzor de temperatură)	Apăsați timp de cel puțin 2 secunde butonul R
128	Lipsă flacără	Apăsați timp de cel puțin 2 secunde butonul R
129	Pierdere flacără în faza de aprindere	Contactați centrul de asistență tehnică autorizat.
130	Intrare în funcțiune a sondei NTC gaze arse din cauza supratemperaturii	Apăsați timp de cel puțin 2 secunde butonul R
133	Lipsă a aprinderii (5 tentative)	Apăsați timp de cel puțin 2 secunde butonul R

134	Vană de gaz blocată	Apăsați timp de cel puțin 2 secunde butonul R	
135	Eroare internă la placă	Apăsați timp de cel puțin 2 secunde butonul R	
154	Test de verificare a sondei de tur/retur	Contactați centrul de asistență tehnică autorizat.	
160	Anomalie de funcționare a ventilatorului	Contactați centrul de asistență tehnică autorizat.	
178	Declanșare a termostatului de siguranță în urma supraîncălzirii instalației de joasă temperatură	Contactați centrul de asistență tehnică autorizat.	
270	Supraîncălzire la nivelul schimbătorului	Contactați centrul de asistență tehnică autorizat.	
317	162	Frecvență de alimentare cu energie electrică incorectă	Contactați centrul de asistență tehnică autorizat.
321	163	Senzor NTC apă caldă menajeră defect	Contactați centrul de asistență tehnică autorizat.
384	164	Flacăra parazită (anomalie internă)	Apăsați timp de cel puțin 2 secunde butonul R
385	165	Tensiune de alimentare prea mică	Resetarea are loc automat când tensiunea depășește 175 V. Dacă anomalia persistă, contactați centrul de asistență tehnică autorizat.
431		Senzor schimbător defect	Contactați centrul de asistență tehnică autorizat.

II *La apariția unei anomalii, se activează retroiluminarea displayului și se afișează codul erorii. Sunt posibile 5 încercări consecutive de resetare, după care centrala se blochează. Înainte de a efectua o nouă încercare de resetare, lăsați să treacă 15 minute.*

5. MENIUL DE INFORMAȚII PRIVIND CENTRALA

Pentru vizualizarea informațiilor din următorul tabel, apăsați timp de cel puțin 1 secundă butonul **IR**. Pentru ieșire, apăsați butonul **OR**.

i	DESCRIERE	i	DESCRIERE
00	Cod intern secundar al anomaliei	06	Temperatură de retur încălzire (°C)
01	Temperatură de tur încălzire (°C)	07	Temperatură sondă gaze arse (°C)
02	Temperatură externă (°C)	08	Temperatură schimbător primar (°C)
03	Temperatură apă caldă menajeră boiler extern (centrală folosită numai pentru încălzire)	09 - 13	Informații producător
04	Temperatură apă caldă menajeră (centrală cu schimbător în plăci)	14	Identificare comunicare Open Therm
05	Presiune apă în instalația de încălzire (bari)	15 - 18	Informații producător

6. OPRIREA CENTRALEI TERMICE

Pentru oprirea centralei, opriți alimentarea aparatului cu energie electrică prin intermediul întrerupătorului bipolar. În modul de funcționare "Oprit - Antiîngheț" **U** centrala este oprită, dar circuitele electrice rămân sub tensiune și este activă funcția antiîngheț.

7. UMLEREA INSTALAȚIEI

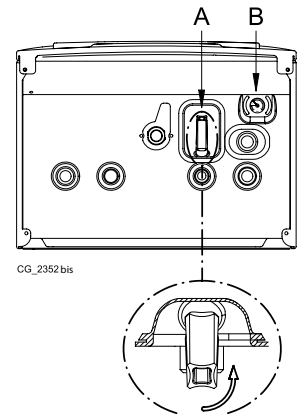
Verificați periodic ca presiunea, indicată pe manometrul **B**, atunci când instalația este rece, să fie de 1-1,5 bari. În caz de presiune joasă, acționați robinetul "A" de umplere a centralei (vezi figura de alături).

A	Robinet de umplere centrală / instalație
B	Manometru

II *Umplerea instalației de încălzire trebuie efectuată cu multă atenție. În particular, deschideți robinetele termostactice eventual prezente pe instalație, asigurați o umplere lentă a instalației cu apă (pentru a se evita formarea bulelor de aer în circuitul primar) până când se atinge presiunea de funcționare necesară. Evacuați aerul din corpurile de încălzire care fac parte din instalație. De Dietrich nu este responsabilă pentru daunele cauzate de prezența bulelor de aer în interiorul circuitului primar în urma nerespectării sau respectării parțiale a indicațiilor de mai sus.*

! Centrala este dotată cu presostat hidraulic care în caz de lipsă a apei nu admite funcționarea centralei.

II *Dacă se constată scăderi frecvente de presiune, solicitați intervenția SERVICIULUI DE ASISTENȚĂ TEHNICĂ AUTORIZAT.*



8. INSTRUCȚIUNI DE ÎNTREȚINERE CURENTĂ

Pentru a se asigura funcționarea eficientă și sigură a centralei, la sfârșitul fiecărui sezon se recomandă să solicitați Serviciul de Asistență Tehnică autorizat un control al acesteia. O întreținere atentă va contribui la reducerea cheltuielilor de exploatare a centralei.

AVERTIZĂRI ANTERIOARE INSTALĂRII

Notele și instrucțiunile tehnice care urmează sunt adresate instalatorilor, pentru a le permite să efectueze o instalare perfectă. Instrucțiunile referitoare la pornirea și utilizarea centralei sunt oferite în partea destinată utilizatorului. Montarea centralei poate fi efectuată numai de un tehnician autorizat să instaleze echipamente de încălzire.

Se vor lua în considerare următoarele:

- În cazul în care centrala se instalează într-un ambient cu temperatura mai mică de 0°C, luați măsurile necesare pentru a evita formarea de gheață în sifon sau în conducta de evacuare a condensului.
- Centrala poate fi utilizată cu orice tip de placă convectoare, radiator, termoconvector, alimentate cu unul sau două tuburi. Secțiunile circuitului vor fi, în orice caz, calculate după metodele obișnuite, ținându-se cont de caracteristica debit-înălțime de pompare, așa cum se arată în secțiunea 16.
- Fragmentele de ambalaj (pungi din plastic, polistiren, etc.) nu trebuie lăsate la îndemâna copiilor, întrucât constituie potențiale surse de pericol.
- Prima pornire trebuie să fie efectuată de Serviciul de Asistență Tehnică autorizat, indicat în foaia anexată.

Nerespectarea celor expuse mai sus atrage după sine pierderea garanției.

ATENȚIONARE PRIVIND POMPA SUPLIMENTARĂ

În cazul utilizării unei pompe suplimentare pentru instalația de încălzire, poziționați-o pe returul centralei. Aceasta va asigura funcționarea corectă a presostatului de apă.

ATENȚIONARE PRIVIND INSTALAȚIA SOLARĂ

În cazul conectării centralei instantanee (mixte) la o instalație cu panouri solare, temperatura maximă a apei calde menajere la intrarea în centrală nu trebuie să fie mai mare de 60°C.



Fragmentele de ambalaj (pungi din plastic, polistiren, etc.) nu trebuie lăsate la îndemâna copiilor, întrucât constituie potențiale surse de pericol.

9. INSTALAREA CENTRALEI TERMICE

Figura șablonului este disponibilă la sfârșitul manualului în anexa "SECTION" C.

Alegeți locul de amplasare a centralei, apoi aplicați șablonul pe perete. Racordați țevile la orificiile de alimentare cu gaz și apă prevăzute pe traversa inferioară a șablonului. Asigurați-vă că partea din spate a centralei este paralelă cu peretele (în caz contrar, introduceți în partea de jos un adaos cu grosimea necesară). Se recomandă să instalați pe circuitul de încălzire două robinete de închidere (tur și retur) G3/4, disponibile la cerere, care permit, în caz de intervenții însemnate, efectuarea lucrărilor fără necesitatea de a goli în întregime instalația de încălzire. În cazul instalațiilor deja existente sau în caz de înlocuire, vă recomandăm să montați un vas de decantare pe returul către centrală, în partea de jos, pentru a colecta depunerile și reziduurile care pot rămâne și care pot fi puse în circulație în instalație chiar și după spălare. După fixarea centralei, racordați conductele de evacuare gaze arse și admisie aer, furnizate ca accesorii, conform instrucțiunilor din capitolele următoare. Racordați sifonul la o groapă de scurgere asigurând o pantă continuă. Evitați traiectoriile orizontale.



Nu ridicați aparatul apucându-l de părțile din plastic, cum ar fi sifonul sau coloana gaze arse.



Strângeți cu atenție conexiunile hidrice ale centralei (cuplu maxim de strângere 30 Nm).



Înainte de punerea în funcțiune a centralei, umpleți sifonul cu apă pentru a împiedica gazele arse să fie emanate în încăpere.

9.1 CONȚINUTUL AMBALAJULUI

- Șablon (vezi figura din anexa "SECTION" C)
- Traversă susținere centrală
- Dîbluri 8 mm și șuruburi
- Tub evacuare condens

ACCESORII livrate la cerere:

- Robinete tur/retur încălzire, robinet intrare apă și racorduri telescopice
- Robinet gaz

9.2 DIMENSIUNILE CENTRALEI TERMICE

Dimensiunile centralei și înălțimea de instalare a conexiunilor hidraulice sunt indicate la sfârșitul manualului în anexa "SECTION" C.

A	Evacuare condens	D	Intrare GAZ
B	Tur instalație de încălzire	E	Intrare apă rece menajeră / Umplere instalație
C	Tur apă caldă menajeră (G1/2") / boiler (G3/4")	F	Retur instalație de încălzire

10. INSTALAREA CONDUCTELOR

Vă garantăm o instalare ușoară și flexibilă pentru centrala pe gaz cu ajutorul accesoriilor furnizate (care sunt descrise mai jos). Centrala este proiectată pentru racordarea la un sistem de conducte de evacuare gaze arse/admisie aer de tip coaxial, vertical sau orizontal. Cu ajutorul unui kit separator se poate instala și un sistem cu două conducte separate.

ATENȚIE

C13, C33 Capetele conductei de evacuare dublate trebuie prevăzute în interiorul unui pătrat cu latura de 50 cm. Instrucțiuni detaliate sunt furnizate împreună cu fiecare accesoriu în parte.

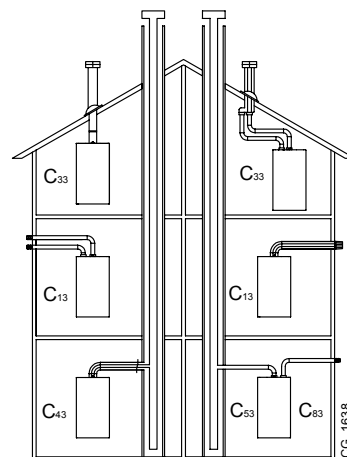
C53 Capetele conductei de admisie a aerului de combustie și de evacuare a produșilor de combustie nu trebuie montate pe pereți opuși ai clădirii.

C63 Pierderea maximă de presiune a conductelor nu trebuie să depășească **100 Pa**. Conductele trebuie să fie certificate pentru întrebuințarea specifică și pentru o temperatură mai mare de 100°C. Capătul coșului trebuie certificat conform Normei EN 1856-1.

C43, C83 Coșul sau hornul utilizat trebuie să fie potrivit pentru utilizare.



Pentru o siguranță majoră în funcționare este necesar ca conductele de evacuare a gazelor arse să fie fixate bine pe perete cu ajutorul unor dispozitive de fixare corespunzătoare. Dispozitivele (bridele) de fixare trebuie să fie poziționate la o distanță de 1 metru între ele în dreptul racordurilor.

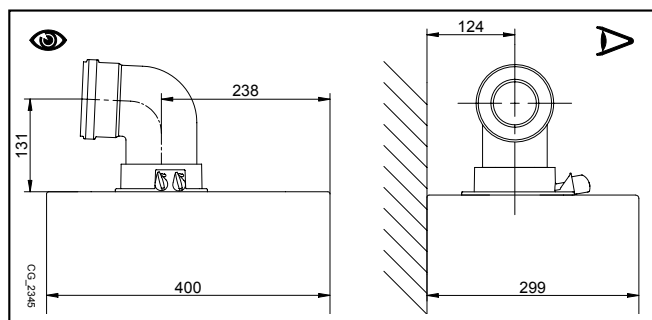


Citiți cu atenție instrucțiunile referitoare la conducte, cuprinse în acest manual și furnizate împreună cu accesoriile; în caz de discrepanțe, se vor respecta instrucțiunile referitoare la conducte din acest manual.

10.1 CONDUCTE COAXIALE

Acest tip de conductă permite evacuarea produselor de ardere și admisia aerului de combustie atât în exteriorul edificiului, cât și în hornurile de tip LAS. Cotul coaxial de 90° permite racordarea centralei la conducta de evacuare-admisie indiferent de direcție, deoarece poate fi rotit la 360°. În plus, poate fi utilizat și ca un cot suplimentar, alături de o conductă coaxială sau de un cot de 45°.

În caz de evacuare la exterior, conducta de evacuare-admisie trebuie să iasă din perete cu cel puțin 18 mm pentru a permite poziționarea și sigilarea țiglei de protecție din aluminiu, în vederea evitării infiltrațiilor de apă.



- Un cot de 90° reduce lungimea totală a conductei cu 1 metru.
- Un cot de 45° reduce lungimea totală a conductei cu 0,5 metri.
- Primul cot de 90° nu este inclus în calculul lungimii maxime disponibile.

Fixați conductele de aspirație cu două șuruburi zincate autofiletante Ø 4,2 mm cu lungimea maximă de 19 mm. Dacă șuruburile nu sunt incluse în dotarea standard, folosiți șuruburi cu aceleași caracteristici, disponibile în comerț.



Înainte de fixarea șuruburilor, asigurați-vă că conducta este introdusă în garnitură cu cel puțin 45 mm de la extremitatea sa (vezi figurile din anexa "SECTION" D de la sfârșitul manualului).



Asigurați o pantă minimă spre centrală de 5 cm pentru fiecare metru de lungime al conductei de evacuare.



CÂTEVA EXEMPLE DE INSTALARE A CONDUCTELOR DE EVACUARE ȘI LUNGIMILE RESPECTIVE ADMISE SUNT PREZENTATE LA SFÂRȘITUL MANUALULUI ÎN ANEXA "SECTION" D.

10.1.1 CONDUCTE DE EVACUARE A GAZELOR ARSE DE TIP C43P

Coș de fum colectiv cu presiune pozitivă pentru centrale cu cameră etanșă

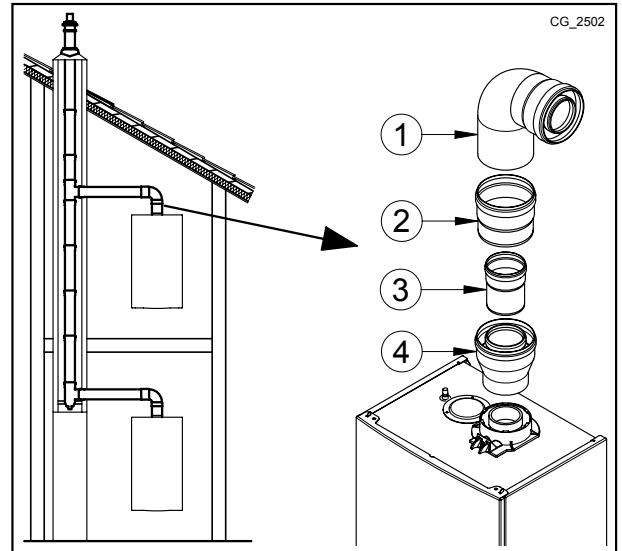


Acest tip de conducte de evacuare poate fi utilizat numai cu centralele care funcționează pe gaz natural (G20).

Pentru a racorda centrala la coșul de fum colectiv C43P este obligatoriu să folosiți clapeta antiretur.
Dimensionarea coșului este realizată de producătorul acestuia în conformitate cu standardul EN 13384-2.

1	Cot 90° Ø 80/125 mm
2	Conductă Ø 80/125 mm
3	Clapetă antiretur Ø 80 mm
4	Adaptor Ø 60/100 -> 80/125 mm

Pentru acest tip de evacuare este necesar să modificați parametrii P71 și P72 ai plăcii electronice după cum se arată tabel (vezi de asemenea instrucțiunile pentru SERVICE).
După modificarea parametrilor reglați centrala conform indicațiilor din manualul pentru SERVICE.

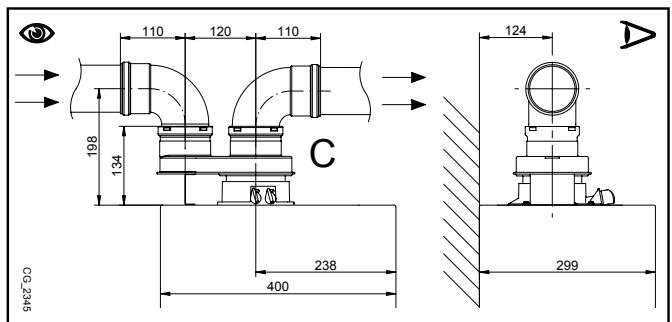


Model	P72	P71
	Qmin - Presiune în coș 25 Pa	Qmax - Presiune în coș 86 Pa
MPX 24 - MPX 20/24 MI	85	130
MPX 24/28 MI	85	185
MPX 28/33 MI	85	180

10.2 CONDUCTE SEPARATE

Pentru instalări particulare ale conductelor de evacuare/admisie, se poate utiliza un separator unic (C), livrat ca accesoriu. Acesta, datorită posibilității de a se roti la 360°, permite orientarea conductelor de evacuare/admisie în orice direcție. Acest tip de conductă permite evacuarea produselor de ardere atât în exteriorul clădirii, cât și în hornuri de evacuare separate. Admisia de aer de combustie poate fi efectuată într-o zonă diferită față de cea în care e situată conducta de evacuare. Kitul separator este fixat pe coloana (100/60 mm) centralei și permite ca aerul de combustie și gazele arse să fie admise/evacuate prin două conducte separate (80 mm). Pentru mai multe informații, citiți instrucțiunile de montaj ale accesoriului.

Cotul de 90° permite racordarea centralei la conductele de evacuare și admisie în funcție de nevoile specifice. În plus, poate fi utilizat și ca un cot suplimentar, alături de o conductă sau de un cot de 45°.



- Un cot de 90° reduce lungimea totală a conductei cu 0,5 metri.
- Un cot de 45° reduce lungimea totală a conductei cu 0,25 metri.
- Primul cot de 90° nu este inclus în calculul lungimii maxime disponibile.



CÂTEVA EXEMPLE DE INSTALARE A CONDUCTELOR DE EVACUARE ȘI LUNGIMILE RESPECTIVE ADMISE SUNT PREZENTATE LA SFÂRȘITUL MANUALULUI ÎN ANEXA "SECTION" D.

Instrucțiuni pentru INSTALATOR (ro)

11. CONECTAREA LA REȚEAUA ELECTRICĂ

Siguranța electrică a aparatului este asigurată numai când acesta este conectat corect la o instalație de împământare eficientă, conectarea fiind efectuată conform normelor de siguranță în vigoare privitoare la instalații. Centrala trebuie conectată electric la o rețea de alimentare 230 V monofază + împământare cu ajutorul cablului trifilar din dotare, respectându-se polaritatea Linie-Neutru.

Conectarea trebuie efectuată prin intermediul unui întrerupător bipolar cu o deschidere a contactelor de cel puțin 3 mm. În cazul înlocuirii cablului de alimentare, a se utiliza un cablu de tip "HAR H05 VV-F" 3x0,75 mm² cu diametrul maxim de 8 mm. Fuzibilii de tip rapid 2A sunt încorporați în placa de borne de alimentare (pentru a verifica sau a înlocui fuzibilii, extrageți suportul fuzibililor, de culoare neagră).

Rotiți în jos cutia de borne și accedeți la plăcile de borne **M1** și **M2** destinate racordurilor electrice, îndepărtând capacul de protecție.



Verificați ca curentul nominal total absorbit de accesoriile conectate la aparat să fie mai mic de 2A. Dacă este mai mare, interpuneți între accesorii și placa electronică un releu.



Placa de borne M1 se află sub înaltă tensiune. Înainte de a începe realizarea conexiunilor, asigurați-vă că a fost oprită alimentarea aparatului cu energie electrică.

PLACA DE BORNE M1

(L) = Linie (maro)

(N) = Neutru (albastru).

⊕ = Împământare (galben-verde).

(1) (2) = Contact termostat ambiental.



Restabiliți puntea pe bornele 1-2 ale plăcii de borne M1 a centralei, în cazul în care nu se utilizează termostatul de ambient sau în cazul în care nu este conectat dispozitivul de control de la distanță livrat ca accesoriu.

PLACA DE BORNE M2

Bornele 1 - 2: conectarea dispozitivului de control de la distanță (joasă tensiune) livrat ca accesoriu.

Bornele 4 - 5 : conectare sondă externă (livrată ca accesoriu).

Bornele 3-6-7-8: libere.

Bornele 9-10: conectare sondă boiler de preparare a apei calde menajere.



Dacă aparatul este conectat la o instalație de încălzire prin pardoseală, se va prevedea, prin grija instalatorului, un termostat de protecție care să asigure protejerea instalației împotriva suprațemperaturilor.



Treceți firele care asigură legătura la plăcile de borne prin găurile de trecere și fixare anume, prezente pe partea de jos a centralei.

11.1 CONECTAREA TERMOSTATULUI AMBIENTAL



Conexiunile prezente la placa de borne M1 se află sub înaltă tensiune (230 V). Înainte de a începe realizarea conexiunilor, asigurați-vă că a fost oprită alimentarea aparatului cu energie electrică. Respectați polaritatea: L (FAZĂ) - N (NUL).

Pentru a conecta termostatul de ambient la centrală, procedați în felul următor:



- deconectați centrala de la rețeaua electrică;
- accedeți la placa de borne **M1**;
- îndepărtați puntea de pe capetele contactelor **1-2** și cuplați firele termostatului de ambient;
- alimentați centrala cu energie electrică și asigurați-vă că termostatul ambiental funcționează corect.

11.2 ACCESORII NEINCLUSE ÎN DOTAREA STANDARD



11.2.1 RACORDAREA SONDEI EXTERNE

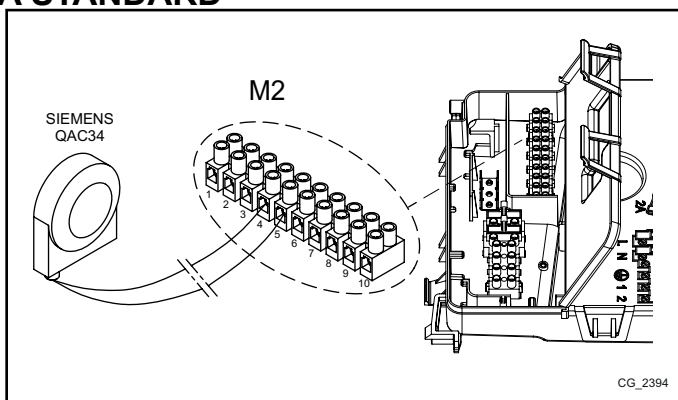
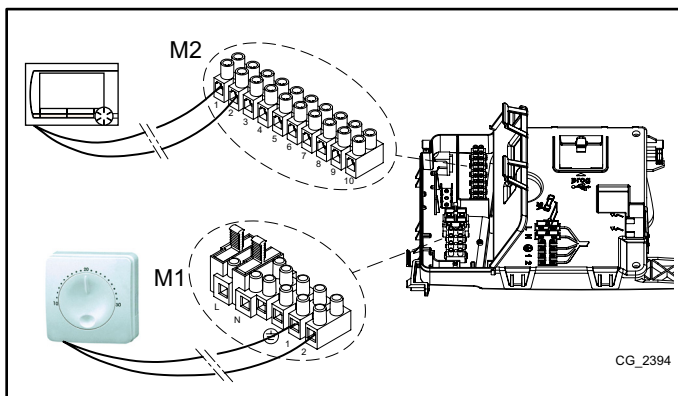
Pentru conectarea acestui accesoriu, a se vedea figura de alături (bornele **4-5**) și instrucțiunile livrate împreună cu sonda însăși.

SETAREA CURBEI CLIMATICE "Kt"



Când sonda externă este conectată la centrală, placa electronică reglează temperatura de tur în funcție de coeficientul **Kt** setat. Alegeți curba cea mai potrivită (de la 00 la 90) și selectați-o cu ajutorul butoanelor   luând în considerare graficul din anexa "SECTION" E.

LEGENDĂ GRAFIC - "SECTION" E

	Temperatură tur		Temperatura externă
---	-----------------	---	---------------------



11.2.2 BOILERUL EXTERN




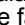



Partea electrică a centralei permite conectarea acesteia din urmă la un boiler extern. Schema conectării hidraulice a boilerului extern este arătată în figura din anexa "SECTION" F. Conectați sonda NTC de prioritate a circuitului de apă menajeră la bornele 9-10 ale plăcii de borne M2. Elementul sensibil al sondei NTC trebuie introdus în orificiul anume prevăzut pe boiler. Verificați ca puterea de schimb la serpentina boilerului să fie potrivită pentru puterea centralei. Temperatura apei calde menajere (+35°C...+60°C) se reglează cu ajutorul butoanelor  .





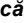



IMPORTANT: setați parametrul P03 = 05 conform indicațiilor de la capitolul 14.

12.FUNCȚII SPECIALE

12.1 PRIMA PORNIRE

Prima pornire a centralei se efectuează conform procedurii descrise în continuare. După alimentarea centralei cu curent, pe display apare codul "000"; aparatul este gata pentru procedura de "prima pornire".


- Apăsăți simultan timp de circa 6 secunde butoanele  ; pe display apare pentru 2 secunde inscripția "On" urmată de codul "312" care indică faptul că funcția de "dezaerisire a instalației" este activată. Această funcție are o durată de 10 minute.
- La finalizarea funcției centrala pornește, va fi afișat simbolul 000 care se va alterna cu valoarea % a puterii de aprindere și valoarea temperaturii (°C) de tur a circuitului de încălzire. În această fază se derulează "funcția de recunoaștere a gazului" cu durata de circa 7 minute și se analizează tipul de gaz utilizat. În timpul acestei funcții asigurați un schimb de căldură maxim la instalația de încălzire sau de apă caldă menajeră (cerere de apă caldă menajeră), pentru a se evita oprirea centralei pe motiv de supratemperatură.
- În cazul în care centrala este alimentată cu gaz natural, pe display timp de circa 10 secunde se afișează simbolul NG. Acum centrala este gata pentru funcționarea normală. Dacă pe display se afișează simbolul LPG, apăsați timp de cel puțin 4 secunde butoanele  și  pentru a ieși din funcție fără a modifica setările implicite.
- În cazul în care centrala este alimentată cu gaz propan, pe display se afișează simbolul LPG. Apăsăți timp de cel puțin 6 secunde butonul  pentru a confirma tipul de gaz utilizat efectiv. Dacă pe display se afișează simbolul NG, tipul de gaz nefiind recunoscut, apăsați simultan butoanele  și  timp de cel puțin 4 secunde pentru a ieși din funcție, apoi modificați parametrul P02=01 conform indicațiilor din capitolul "SETAREA PARAMETRILOR" din manualul de instrucțiuni al centralei.

 Dacă funcțiile de dezaerisire sau recunoaștere a tipului de gaz se întrerup din cauza întreruperii alimentării cu curent, după restabilirea alimentării trebuie reactivată prin apăsarea simultană a butoanelor   timp de cel puțin 6 secunde. Dacă în timpul derulării funcției de dezaerisire pe display este afișată anomalia E118 (presiune joasă în circuitul hidraulic), acționați robinetul de umplere a centralei pentru a restabili presiunea corectă. Dacă întreruperea funcției de recunoaștere a tipului de gaz este cauzată de o anomalie (de ex., E133: lipsă gaz), apăsați butonul  pentru resetare, apoi apăsați simultan timp de cel puțin 6 secunde butoanele   pentru a reactiva funcția. Dacă întreruperea funcției de recunoaștere a tipului de gaz este cauzată de supratemperatură, pentru reactivare apăsați simultan timp de cel puțin 6 secunde butoanele  .

Arderea acestui aparat a fost verificată, reglată și presetată în fabrică pentru funcționarea cu gaz NATURAL.

Pe durata funcției de control al tipului de gaz, raportul de ardere se mărește pentru un scurt interval de timp în care se determină tipul de gaz.





La prima pornire, până la evacuarea completă a aerului din conducta de gaz, este posibil ca arzătorul să nu se aprindă, iar centrala, în consecință, să se blocheze. În acest caz, se recomandă să repetați operațiile de pornire până la ajungerea gazului la arzător. Pentru a restabili funcționarea centralei, apăsați butonul  timp de cel puțin 2 secunde.



Primele porniri după instalare s-ar putea să nu fie optime, întrucât sistemul are nevoie de câțiva timp pentru autoajustare.

12.2 FUNCȚIA DE DEZAERISIRE A INSTALAȚIEI





Această funcție înlesnește evacuarea aerului din circuitul de încălzire după instalarea centralei sau în urma efectuării lucrărilor de întreținere care au necesitat golirea circuitului primar.

Pentru a activa funcția de dezaerisire a instalației, apăsați simultan butoanele   timp de 6 secunde. Când funcția este activă, pe display apare inscripția On pentru câteva secunde, după care urmează linia de program 312.


Placa electronică va activa un ciclu de pornire/oprire a pompei cu durata de 10 minute. Funcția oprește automat la sfârșitul ciclului. Pentru a ieși manual din această funcție, apăsați din nou simultan butoanele indicate mai sus timp de 6 secunde.

12.3 FUNCȚIA DE CURĂȚARE A COȘULUI

La activarea acestei funcții, centrala atinge puterea maximă de încălzire. După activare, se poate regla nivelul % de putere al centralei, în regim ACM, de la minim la maxim. Procedura este următoarea:

- Apăsăți simultan butoanele   timp de cel puțin 6 secunde. Când funcția este activată, pe display este afișată timp de câteva secunde inscripția "On", apoi apare linia de program "303" care se alternează cu valoarea % de putere a centralei.
- Apăsăți butoanele   pentru a regla treptat puterea (sensibilitate 1%).
- Pentru ieșire, apăsați simultan timp de cel puțin 6 secunde butoanele indicate la punctul întâi.



La apăsarea butonului  este afișată, timp de 15 secunde, valoarea instantanee a temperaturii de tur.

12.4 CONTROLUL PRODUSELOR DE ARDERE (CO₂)

Pentru o funcționare corectă a centralei, conținutul de (CO₂ - O₂) în gazele de ardere trebuie să respecte intervalul de toleranță indicat în tabelul de mai jos. Dacă valoarea detectată de (CO₂ - O₂) este diferită, verificați integritatea și distanțele electrozilor. În caz de necesitate, înlocuiți electrozii poziționându-i corect. Dacă problema nu se rezolvă, se poate utiliza funcția descrisă în continuare.

		G20		G31	
		CO ₂ %	O ₂ %	CO ₂ %	O ₂ %
Puterea maximă	Valoare nominală	8,7	5,4	10,0	6,0
	Valoare admisă	8,2 - 9,3	6,3 - 4,3	9,5 - 10,5	6,8 - 5,2
Puterea de aprindere	Valoare nominală	8,7	5,4	10,8	4,8
	Valoare admisă	8,2 - 9,3	6,3 - 4,3	10,3 - 11,3	5,5 - 4,1
Puterea minimă	Valoare nominală	8,8	5,2	10,0	6,0
	Valoare admisă	8,2 - 9,3	6,3 - 4,3	9,5 - 10,5	6,8 - 5,2



Analiza produselor de ardere se efectuează cu ajutorul unui analizor calibrat corespunzător.



În timpul funcționării normale centrala efectuează cicluri de autocontrol al produselor de ardere. În această fază pot fi depistate, pentru scurte perioade de timp, valori de CO mai mari de 1000 ppm.

FUNCȚIA DE AJUSTARE A PRODUSELOR DE ARDERE (CO₂%)

Această funcție are ca scop reglarea parțială a valorii de CO₂%. Procedura este următoarea:

- Apăsați simultan butoanele timp de cel puțin 6 secunde. Când funcția este activată, pe display este afișată timp de câteva secunde inscripția "On", apoi apare linia de program "304" care se alternează cu valoarea % de putere a centralei.
- După aprinderea arzătorului centrala atinge puterea maximă în regim de preparare a apei calde menajere (100). Când pe display apare "100", se poate efectua o ajustare parțială a valorii de CO₂ %.
- Apăsați butonul ; pe display este afișată inscripția "00" care se alternează cu numărul funcției "304" (simbolul clipește).
- Apăsați butoanele pentru a micșora sau mări conținutul de CO₂ (de la -3 la +3).
- Apăsați butonul pentru a salva noua valoare și a reveni la afișarea valorii de putere "100" (centrala continuă să funcționeze la puterea maximă în regim de preparare a apei calde menajere).

În același fel se poate ajusta conținutul de CO₂ la **puterea de aprindere** și la **puterea minimă**; pentru aceasta apăsați butoanele după punctul 5 al procedurii descrise mai sus.

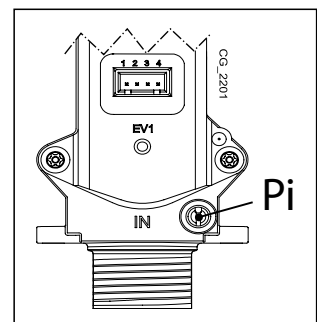
- După ce ați salvat noua valoare (punctul 5 al procedurii), apăsați butonul pentru a aduce centrala la **puterea de aprindere**. Așteptați până când valoarea de CO₂ devine stabilă, apoi efectuați reglarea conform indicațiilor de la punctul 4 al procedurii (valoarea puterii este un număr <> 100 și <> 0); în cele din urmă salvați (punctul 5).
- Apăsați din nou butonul pentru a aduce centrala la **puterea minimă**. Așteptați până când valoarea de CO₂ devine stabilă, apoi efectuați reglarea conform indicațiilor de la punctul 4 al procedurii (valoarea puterii = 00);
- Pentru a ieși din funcție, apăsați timp de cel puțin 6 secunde butoanele indicate la punctul 1.

13. VANA DE GAZ

Această centrală nu necesită nici o reglare mecanică a valvei. Sistemul se autoadaptează automat.

Legendă vană gaz

Pi
Priză de presiune alimentare cu gaz



13.1 MODALITĂȚI DE SCHIMBARE A TIPULUI DE GAZ

Numai un Serviciu de Asistență Tehnică autorizat poate să adapteze centrală la funcționarea cu un alt tip de gaz (trecere de la gaz NATURAL la GPL și viceversa). Pentru a efectua reglarea, setați parametrul P02 conform indicațiilor de la capitolul "SETAREA PARAMETRILOR". Verificați de asemenea produsele de ardere conform indicațiilor de la capitolul "FUNCȚII SPECIALE - CONTROLUL PRODUSELOR DE ARDERE".



La sfârșitul operației de schimbare a tipului de gaz, se recomandă să notați pe placa tipologică tipul de gaz utilizat.

14. SETAREA PARAMETRILOR

Pentru a programa parametrii plăcii electronice a centralei, procedați în felul următor:

- Apăsați simultan butoanele și mențineți-le apăsat timp de 6 secunde, până când pe display apare linia de program "P01" care se alternează cu valoarea setată;
- Apăsați butoanele pentru a derula lista parametrilor;
- Apăsați butonul , valoarea parametrului selectat începe să clipească; apăsați butoanele pentru a modifica valoarea;
- Apăsați butonul pentru a confirma valoarea sau butonul pentru a ieși din funcție fără salvare.



Alte informații referitoare la parametrii enumerați în tabelul de mai jos sunt furnizate odată cu accesoriile solicitate.



În cazul instalării cu un sistem de încălzire prin pardoseală, setați parametrul P16 (Centralei) sau P15 (Disp. contr. distanță) = 01.

Centralei	Disp.contr. distanță*	DESCRIERE PARAMETRI	SETĂRI IMPLICITE			
			24	20/24 MI	24/28 MI	28/33 MI
P01	P00	Informații producător	01			
P02	P01	Tip de gaz utilizat 00 = METAN - 01 = GPL	00			
P03	P02	Sistem hidraulic 00 = aparat instantaneu 03 = aparat instantaneu cu funcție de preîncălzire 05 = aparat cu boiler extern 08 = aparat destinat numai încălzirii	08	00	00	00
P04	P03	Setare releu programabil 1 (vezi instrucțiunile pentru SERVICE)	02			
P05	P04	Setare releu programabil 2 (vezi instrucțiunile pentru SERVICE)	04			
P06	P05	Configurare intrare sondă externă (vezi instrucțiunile pentru SERVICE)	00			
P07..P09	P06..P08	Informații producător	--			
P10	P09	Setarea temperaturii apei din circuitul de încălzire (Dispozitiv de control de la distanță - Open Therm / Termostat de ambient 230 V~) 00 = setpoint-ul temperaturii este cel setat de la dispozitivul de control de la distanță 01 = setpoint-ul temperaturii este cel mai înalt dintre cele setate de la dispozitivul de control de la distanță și PCB 02 = setpoint-ul temperaturii este cel setat de la dispozitivul de control de la distanță. Termostatul de ambient activează/dezactivează funcționarea centralei.	00			
P11..P12	P10..P11	Informații producător	--			
P13	P12	Putere maximă încălzire (0-100%)	100	80	86	80
P14	P13	Putere maximă preparare apă caldă menajeră (0-100%)	100			
P15	P14	Putere minimă încălzire (0-100%)	00			
P16	P15	Setare setpoint maxim (°C) încălzire 00 = 85°C - 01 = 45°C	00			
P17	P16	Timp postcirculație pompă încălzire (01-240 minute)	03			
P18	P17	Timp de așteptare în regim de încălzire înainte de o nouă aprindere (00-10 minute) - 00=10 secunde	03			
P19	P18	Informații producător	07			
P20	P19	Timp postcirculație pompă Apă caldă menajeră (secunde)	30			
P21	P20	Funcție antilegionella (°C) 00...54 = Dezactivată - 55...67 = Activată (se setează valoarea temperaturii dorite)	00			
P22	P21**	Informații producător	00			
P23	P22	Temperatură maximă de setpoint apă caldă menajeră (ACM)	60			
P24	P23	Informații producător	35			
P25	P24	Dispozitiv de protecție la lipsa apei	00			
P26..P31	P25..P30	Informații producător	--			
P32..P41	P31..P40	Diagnostic (vezi instrucțiunile pentru SERVICE)	--			
P67	P66	Setare Open Therm (OT) (vezi instrucțiunile pentru SERVICE) 02 = Open Therm Standard	02			

* Dispozitivul de control de la distanță modulant trebuie să aibă cel puțin versiunea 2.8

** Nu este posibilă accesarea setărilor instalatorului prin intermediul dispozitivului de control de la distanță modulant

Instrucțiuni pentru INSTALATOR (ro)

14.1 REGLAREA PUTERII MAXIME ÎN REGIM DE ÎNCĂLZIRE

Puterea maximă a centralei în regim de încălzire poate fi micșorată în funcție de necesitățile instalației de încălzire. În tabelul din continuare sunt indicate valorile parametrului **P13** în funcție de puterea maximă necesară pentru fiecare model de centrală.

Pentru a accesa și modifica parametrul **P13** procedați conform indicațiilor de la capitolul "SETAREA PARAMETRILOR".

Modelul Centralei - PARAMETRU P13 (%) / Putere încălzire (kW)

kW	24	20/24 MI	24/28 MI	28/33 MI
3,5	0	0		
4	2	2	0	
5	7	7	4	0
6	12	12	8	4
7	17	17	13	7
8	22	22	17	11
9	27	27	21	14
10	32	32	25	18
12	41	41	33	25
14	51	51	42	32
16	61	61	50	39
18	71	71	58	46
20	80	80	67	54
22	90		75	61
24	100		86	68
26				75
28				80

15. IDENTIFICAREA ȘI REZOLVAREA ANOMALIILOR DE CĂTRE SERVICE

Anomaliile de funcționare afișate pe display sunt identificate prin simbolul **E** și printr-un număr (codul anomaliei). Lista completă a anomaliilor este prezentată în tabelul de mai jos.

Dacă pe display apare simbolul **R**, anomalia necesită o RESETARE de către utilizator.

Pentru a RESETA centrala, apăsați timp de 2 secunde butonul **(R)**. În cazul în care se constată afișări frecvente de anomalie, contactați Serviciul de Asistență Tehnică autorizat.

E	Descriere a anomaliei	Intervenție Service
09	Eroare conectare vană de gaz	Verificați legătura vanei de gaz cu placa electronică.
10	Senzor sondă externă defect	Verificați senzorul (*).
12	Lipsă de comutare presostat diferențial hidraulic.	Verificați corectitudinea funcționării presostatului și cablajul.
13	Contacte lipite la presostatul diferențial hidraulic.	A se vedea intervențiile indicate la punctul E12
15	Eroare de comandă a vanei de gaz.	Verificați legătura vanei de gaz cu placa electronică. Dacă este necesar, înlocuiți placa electronică.
18	Umplere automată a circuitului hidraulic în curs de desfășurare.	Așteptați finalizarea ciclului de umplere.
19	Anomalie în faza de umplere a instalației.	Verificați robinetul de umplere.
20	Senzor NTC de tur defect	Verificați senzorul (**). Verificați integritatea cablurilor sondei. Verificați cablurile să nu fie în scurtcircuit.
28	Senzor NTC gaze arse defect	Verificați sonda NTC gaze arse (***) Verificați integritatea cablurilor sondei. Verificați cablurile să nu fie în scurtcircuit.
40	Senzor NTC retur defect	A se vedea intervențiile indicate la punctul E20
50	Senzor NTC apă caldă menajeră defect (pentru modelele folosite numai pentru încălzire cu boiler)	A se vedea intervențiile indicate la punctul E20
53	Conductă gaze arse înfundată	Verificați să nu fie înfundată conducta de evacuare. Oprii pentru câteva secunde alimentarea centralei cu energie electrică.
55	Placă electronică nereglată	Activați funcția de reglare automată, descrisă în instrucțiunile de înlocuire a componentelor.
83...87	Problemă de comunicare dintre placa electronică a centralei și unitatea de comandă. Posibil scurtcircuit la cabluri.	Verificați cablajul dintre unitatea de ambient și placa electronică sau legătura RF.
92	Anomalie gaze arse în faza de reglare (posibilă recirculare a gazelor arse)	Verificați să nu fie prezentă o eventuală recirculare a gazelor de ardere. Activați funcția de reglare automată descrisă în secțiunea „ÎNTREȚINEREA ANUALĂ - ÎNLOCUIREA COMPONENTELOR”.

109	Prezență a aerului în circuitul centralei (anomalie temporară)	Verificați funcționarea pompei. Verificați cablurile de alimentare a pompei.	
110	Intrare în funcțiune a termostatului de siguranță din cauza supratemperaturii (pompa blocată sau aer în circuitul de încălzire).	Verificați funcționarea pompei. Verificați cablurile de alimentare a pompei Verificați integritatea termostatului de limită și dacă este necesar înlocuiți-l Verificați integritatea cablurilor termostatului de limită	
117	Presiune prea mare în circuitul hidraulic (> 2,7 bari)	Verificați ca presiunea în instalație să corespundă cu cea recomandată Vezi secțiunea "UMPLEREA INSTALAȚIEI".	
118	Presiune prea mică în circuitul hidraulic	Dacă presiunea din circuitul de încălzire este < 0,5 bari, umpleți instalația (vezi capitolul „UMPLEREA INSTALAȚIEI”). Verificați corectitudinea funcționării presostatului hidraulic	
125	Intrare în funcțiune a dispozitivului de siguranță din cauza lipsei de circulație a apei (control efectuat prin intermediul unui senzor de temperatură)	A se vedea intervențiile indicate la punctul E109	
128	Lipsă flacără	Verificați integritatea electrodului de detectare a flăcării și poziția acestuia (vezi secțiunea ÎNTREȚINEREA ANUALĂ - POZIȚIONAREA ELECTROZILOR). Verificați integritatea firului și a contactului cu electrodul de detectare a flăcării și cu aprinzătorul. A se vedea intervențiile indicate la punctul E92	
129	Pierdere flacără în faza de aprindere.	Verificați integritatea electrodului de detectare a flăcării și poziția acestuia (vezi secțiunea ÎNTREȚINEREA ANUALĂ - POZIȚIONAREA ELECTROZILOR). Verificați integritatea firului și a contactului cu electrodul de detectare a flăcării și cu aprinzătorul. Verificați să nu fie prezentă o eventuală recirculare a gazelor de ardere.	
130	Intrare în funcțiune a sondei NTC gaze arse din cauza supratemperaturii	Verificați schimbul de căldură la schimbătorul apă/gaze arse: posibil, circulație insuficientă sau prezență calcar. Verificați sonda NTC gaze arse (**).	
133	Lipsă a aprinderii (5 tentative)	Verificați ca valva de închidere a debitului de gaz să fie deschisă și să nu fie aer în circuitul de alimentare cu gaz. Verificați presiunea de alimentare cu gaz. Verificați integritatea firului și a contactului cu electrodul de detectare a flăcării și cu aprinzătorul. A se vedea intervențiile indicate la punctul E92 Verificați corectitudinea evacuării condensului.	
134	Vană de gaz blocată	Verificați presiunea de alimentare cu gaz. Verificați integritatea și poziția electrozilor de detectare a flăcării și de aprindere și cablajul acestora (vezi secțiunea ÎNTREȚINEREA ANUALĂ - POZIȚIONAREA ELECTROZILOR). Dacă este necesar, înlocuiți placa electronică.	
135	Eroare internă la placă	Înlocuiți placa electronică.	
154	Test de verificare a sondei de tur/retur.	A se vedea intervențiile indicate la punctul E109	
160	Anomalie de funcționare a ventilatorului	Verificați corectitudinea funcționării ventilatorului. Verificați cablajul de alimentare al ventilatorului să fie conectat la placa electronică.	
178	Declanșare a termostatului de siguranță în urma supraîncălzirii instalației de joasă temperatură	Verificați corectitudinea funcționării pompei și circulația apei în sistemul de joasă temperatură. Verificați cablurile de alimentare a pompei.	
317	162	Frecvență de alimentare cu energie electrică incorectă	Verificați cauzele necorespunderii frecvenței de alimentare și dacă nu sunt legate de centrală contactați furnizorul de energie electrică.
321	163	Senzor NTC apă caldă menajeră defect	A se vedea intervențiile indicate la punctul E20
384	164	Flacără parazită (anomalie internă)	Verificați corectitudinea funcționării vanei de gaz.
385	165	Tensiune de alimentare prea mică	Tensiune de alimentare V<175V. Verificați cauzele căderilor de tensiune și dacă nu sunt legate de centrală contactați furnizorul de energie electrică.

CH = circuito riscaldamentoo.

(*) Sondă externă: valoarea rezistenței la rece este de circa 1 kΩ @ 25°C (rezistența scade cu creșterea temperaturii).

(**) Senzor NTC tur și retur încălzire și ACM: valoarea rezistenței la rece este de circa 10 kΩ @ 25°C (rezistența scade cu creșterea temperaturii).

(***) Sondă NTC gaze arse: valoarea rezistenței la rece este de circa 20 kΩ @ 25°C (rezistența scade cu creșterea temperaturii).



La apariția unei anomalii, se activează retroiluminarea displayului și se afișează codul erorii. Sunt posibile 5 încercări consecutive de resetare, după care centrala se blochează. Înainte de a efectua o nouă încercare de resetare, lăsați să treacă 15 minute.

16. DISPOZITIVE DE CONTROL ȘI SIGURANȚĂ

Centrala a fost fabricată cu respectarea întocmai a standardelor europene de referință și este dotată cu următoarele:

- **Termostat de siguranță**

Acest dispozitiv, al cărui senzor este plasat pe turul circuitului de încălzire, întrerupe fluxul de gaz către arzător în caz de supraîncălzire a apei din circuitul primar.



Este interzisă dezactivarea acestui dispozitiv de siguranță.

- **Sondă NTC gaze arse**

Acest dispozitiv este plasat pe schimbătorul apă/gaze arse. Placa electronică întrerupe fluxul de gaz către arzător în caz de supratemperatură.



Este interzisă dezactivarea acestui dispozitiv de siguranță.

- **Detector cu ionizare în flacără**

Electrodul de detectare garantează siguranța în cazul lipsei de gaz sau de aprindere incompletă a arzătorului principal. În aceste condiții centrala se blochează.

- **Presostat hidraulic**

Acest dispozitiv permite aprinderea arzătorului principal numai dacă presiunea în instalație este mai mare de 0,5 bari.

- **Postcirculație pompă**

Funcționarea suplimentară a pompei, obținută electronic, durează 3 minute și se activează când centrala funcționează în modul încălzire, după stingerea arzătorului principal în urma intrării în funcțiune a termostatului de ambient.

- **Dispozitiv antiîngheț**

Controlul electronic al centralei include funcția "Antiîngheț", pentru circuitul de apă menajeră și de încălzire, care, atunci când temperatura din tur scade sub valoarea de 5°C, face să funcționeze arzătorul până la atingerea în tur a unei valori a temperaturii de 30°C. Această funcție este activă dacă centrala este alimentată cu energie electrică, cu gaz și dacă presiunea din instalație corespunde celei prescrise.

- **Antiblocare pompă**

Dacă lipsește cererea de căldură, pentru circuitul de încălzire și/sau de apă caldă menajeră, timp de 24 de ore consecutive, pompa intră în funcțiune automat pentru 10 secunde.

- **Antiblocare vană cu trei căi**

Dacă lipsește cererea de căldură, pentru circuitul de încălzire, timp de 24 de ore consecutive, vana cu trei căi efectuează o comutare completă.

- **Valvă de siguranță hidraulică (circuitul de încălzire)**

Acest dispozitiv, reglat la 3 bari, este utilizat pentru circuitul de încălzire. Se recomandă racordarea valvei de siguranță la un dispozitiv de evacuare cu sifon. Este interzisă utilizarea acestei valve ca mijloc de golire a circuitului de încălzire.

- **Precirculație pompă încălzire**

În cazul cererii de funcționare în mod Încălzire aparatul poate determina o circulație preliminară aprinderii arzătorului. Durata acestei precirculații depinde de temperatura de funcționare și de condițiile de instalare și variază de la câteva secunde la câteva minute.

17. PERFORMANȚE DEBIT/ÎNĂLȚIME DE POMPARE

Pompa utilizată are o înălțime mare de pompare și este potrivită pentru instalații de încălzire de orice tip, cu una sau două conducte. Valva automată de evacuare a aerului încorporată în pompă permite evacuarea rapidă a aerului din instalația de încălzire.

LEGENDĂ GRAFICE POMPĂ - "SECTION" E

Q	DEBIT	MIN	Viteză minimă de modulare
H	ÎNĂLȚIME DE POMPARE	MAX	Viteză maximă de modulare

18. ÎNTREȚINEREA ANUALĂ



Lăsați camera de ardere și conductele să se răcească.



Înainte de a efectua orice intervenție, opriți alimentarea centralei cu energie electrică. După finalizarea lucrărilor de întreținere, restabiliți, dacă au fost modificați, parametrii inițiali de funcționare a centralei.



Nu curățați aparatul cu substanțe abrazive, agresive și/sau ușor inflamabile (de exemplu, benzină, acetonă, etc.).

În scopul asigurării unei eficiențe optime a centralei sunt necesare următoarele verificări anuale:

- Verificarea aspectului și etanșeității garniturilor din circuitul de gaz și din circuitul de combustie. Înlocuiți garniturile deteriorate cu garnituri originale noi;
- Verificarea stării și a poziției electrozilor de aprindere și de detectare a flăcării;
- Verificarea stării arzătorului și a fixării acestuia;
- Verificarea eventualelor impurități prezente în interiorul camerei de ardere. Pentru curățare utilizați un aspirator;
- Verificarea presiunii din instalația de încălzire;
- Verificarea presiunii în vasul de expansiune;
- Verificarea funcționării ventilatorului;
- Verificarea faptului că conductele de evacuare/admisie nu sunt înfundate;
- Verificarea prezenței unor eventuale impurități în interiorul sifonului (pentru centralele cu condensare);
- Verificarea integrității anodului de magneziu, dacă este prezent, pentru centralele dotate cu boiler.

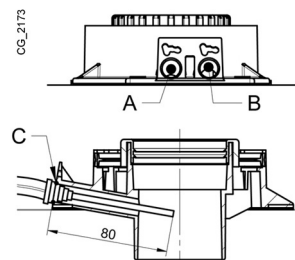


Pentru golirea și curățarea sifonului se recomandă să nu folosiți capacul prezent pe fundul acestuia. Scoateți sifonul din interiorul centralei și spălați-l cu un jet de apă. Umpleți sifonul cu apă curată și puneți-l la loc având grijă ca toate conexiunile să fie asigurate.

18.1 PARAMETRI DE COMBUSTIE

Pentru monitorizarea calității produselor de combustie și a eficienței arderii, centrala este prevăzută cu două prize anume. O priză este racordată la circuitul de evacuare a gazelor arse (A) și permite monitorizarea calității produselor de combustie și a eficienței arderii. Cealaltă este racordată la circuitul de admisie a aerului (B) și permite verificarea unei eventuale recirculări a produselor de ardere în cazul conductelor coaxiale. La priza de pe circuitul de evacuare gaze arse pot fi măsurați următorii parametri:

- temperatura produselor de ardere;
- concentrația de oxigen (O_2) sau dioxid de carbon (CO_2);
- concentrația de monoxid de carbon (CO).



Temperatura aerului de combustie se măsoară la priza de pe circuitul de admisie aer (B) prin introducerea sondei cu circa 8 cm (C).



Activarea funcției de "CURĂȚARE A COȘULUI" se face conform indicațiilor din capitolul 12.3.

18.2 GRUP HIDRAULIC

Dacă durezza apei, în anumite zone, depășește valoarea de 20 °F (1°F = 10 mg de carbonat de calciu la litru de apă) se recomandă instalarea unui dozator de polifosfați sau a unui sistem cu efect identic, care să corespundă normativelor în vigoare.

LEGENDĂ - "SECTION" F

A	Șurub de fixare a schimbătorului circuitului ACM
B	Senzor de prioritate apă caldă menajeră cu filtru
C	Robinet de golire centrală / instalație (C-1 & C-2: acces la robinet C – partea de jos a centralei)
D	Robinet de umplere centrală / instalație
E	Sondă de temperatură NTC apă caldă menajeră
F	Senzor presiune apă în circuitul de încălzire

18.2.1 CURĂȚAREA FILTRULUI PENTRU APĂ RECE

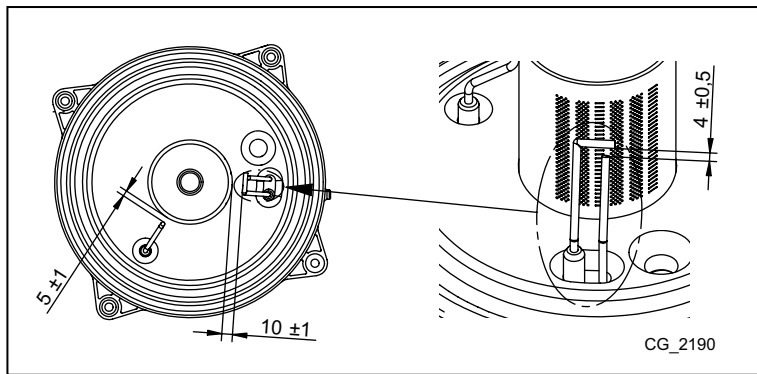
Centrala este dotată cu un filtru pentru apă rece, situat pe grupul hidraulic (B). Pentru curățare, procedați în felul următor:

- Evacuați apa din circuitul de apă menajeră.
- Desfaceți piulița prezentă pe grupul senzor de prioritate a circuitului ACM.
- Scoateți din locașul său senzorul împreună cu filtrul respectiv.
- Îndepărtați eventualele impurități.



În caz de înlocuire și/sau curățare a inelelor "OR" ale grupului hidraulic, nu utilizați ca lubrifianți uleiuri sau unsori, ci numai Molykote 111.

18.3 POZIȚIONAREA ELECTROZILOR



18.4 ÎNLOCUIREA COMPONENTELOR

În caz că se înlocuiesc unul sau mai multe din următoarele componente:



- Schimbătorul apă-gaze arse
- Ventilatorul
- Vana de gaz
- Duza de gaz
- Arzătorul
- Electrocul de detectare a flăcării

este necesar să activați procedura de reglare automată descrisă în continuare, apoi să verificați și eventual să reglați valoarea de CO₂% conform indicațiilor de la capitolul "FUNCȚIA DE AJUSTARE A PRODUSELOR DE ARDERE (CO₂%)".




La efectuarea oricărei intervenții asupra centralei se recomandă să verificați integritatea și poziția electrodului de detectare a flăcării și în caz de deteriorare să îl înlocuiți.


FUNCȚIA DE REGLARE AUTOMATĂ

Apăsați timp de cel puțin 6 secunde butoanele ; când pe display se afișează inscripția "On" apăsați butonul  (în decurs de 3 secunde de la apăsarea butoanelor anterioare).

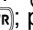


Dacă pe display se afișează inscripția "303", funcția de reglare automată nu a fost activată. Opiți pentru câteva secunde alimentarea centralei cu curent și repetați procedura de mai sus.

Când funcția este activă, pe display sunt afișate simbolurile  care clipesc.

După secvența de pornire, inclusiv după câteva încercări, centrala efectuează trei operații (fiecare cu durata de circa 1 minut): mai întâi atinge puterea maximă, apoi puterea de pornire și în cele din urmă puterea minimă. Înainte de trecerea la faza următoare (de la puterea maximă la cea de pornire și apoi la cea minimă) pe display se afișează timp de câteva secunde simbolurile . În această fază pe display sunt afișate alternativ nivelul de putere atins de centrală și temperatura de tur.

Clipirea simultană pe display a simbolurilor  semnalizează terminarea funcției de reglare.

Pentru a ieși din funcție apăsați butonul ; pe display se afișează inscripția **ESC**.

19. DEZINSTALAREA, ELIMINAREA ȘI RECICLAREA



Numai tehnicienii calificați au permisiunea de a lucra la aparat și instalație.

Înainte de a dezinstala aparatul, asigurați-vă că ați deconectat alimentarea cu energie electrică, că ați închis robinetul de alimentare cu gaz și că ați pus în siguranță toate conexiunile centralei și ale instalației.

Aparatul trebuie eliminat corect, în conformitate cu legile și reglementările în vigoare. Aparatul și accesoriile nu trebuie eliminate ca deșeuri menajere.

Peste 90% din materialele aparatului sunt reciclabile.

20. CARACTERISTICI TEHNICE

Model: MPX		24 COMPACT	20/24 MI COMPACT	24/28 MI COMPACT	28/33 MI COMPACT
Categorie		II _{2H3P}			
Tip de gaz	-	G20 - G31			
Debit termic nominal apă menajeră	kW	-	24,7	28,9	34,0
Debit termic nominal încălzire	kW	24,7	20,6	24,7	28,9
Debit termic redus	kW	3,5	3,5	3,9	4,8
Putere termică nominală apă menajeră	kW	-	24,0	28,0	33,0
Putere termică nominală 80/60 °C	kW	24,0	20,0	24,0	28,0
Putere termică nominală 50/30 °C	kW	26,1	21,8	26,1	30,6
Putere termică redusă 80/60 °C	kW	3,4	3,4	3,8	4,7
Putere termică redusă 50/30 °C	kW	3,7	3,7	4,1	5,1
Randament nominal 50/30 °C	%	105,7	105,8	105,8	105,8
Randament 30% Pn	%	108,8	108,8	108,8	108,9
Presiune maximă a apei în circuitul de încălzire	bar	3			
Presiune minimă a apei în circuitul de încălzire	bar	0,5			
Capacitate vas de expansiune	l	7			
Presiune minimă vas de expansiune	bar	0,8			
Presiune maximă a apei în circuitul de apă menajeră	bar	-	8,0	8,0	8,0
Presiune minimă dinamică în circuitul de apă menajeră	bar	-	0,15	0,15	0,15
Debit minim al apei în circuitul de apă menajeră	l/min	-	2,0	2,0	2,0
Randament apă menajeră cu $\Delta T = 25$ °C	l/min	-	13,8	16,1	18,9
Randament apă menajeră cu $\Delta T = 35$ °C	l/min	-	9,8	11,5	13,5
Debit specific "D" (EN 13203-1)	l/min	-	11,5	13,4	15,8
Domeniu de temperaturi circuit de încălzire	°C	25÷80			
Domeniu de temperaturi circuit de apă menajeră	°C	35÷60			
Tip conducte de evacuare	-	C13(x) - C33(x) - C43(x) - C43P - C53(x) C63(x) - C83(x) - C93(x) - B23 - B23P			
Diametru conductă de evacuare concentrică	mm	60/100			
Diametru conducte de evacuare separate	mm	80/80			
Debit masic max. gaze arse	kg/s	0,0012	0,012	0,014	0,016
Debit masic min. gaze arse	kg/s	0,002	0,002	0,002	0,002
Temperatură max. gaze arse	°C	80			
Clasă NOx	-	6			
Presiune de alimentare cu gaz natural 2H	mbar	20			
Presiune de alimentare cu gaz propan 3P	mbar	37			
Tensiune de alimentare cu energie electrică	V	230			
Frecvență de alimentare cu energie electrică	Hz	50			
Putere electrică nominală	W	85	85	99	106
Greutate netă	kg	30	34	34	35
Dimensiuni - înălțime	mm	700			
- lățime	mm	400			
- adâncime	mm	299			
Grad de protecție contra umidității (EN 60529)	-	IPX5D			
Certificat CE 0085CL0214					

CONSUM DEBIT TERMIC Q_{max} și Q_{min}

Q _{max} (G20) - 2H	m ³ /h	2,61	2,61	3,06	3,60
Q _{min} (G20) - 2H	m ³ /h	0,37	0,37	0,41	0,51
Q _{max} (G31) - 3P	kg/h	1,92	1,92	2,25	2,64
Q _{min} (G31) - 3P	kg/h	0,27	0,27	0,30	0,37

21. PARAMETRI TEHNICI

DE DIETRICH MPX			24 COMPACT	20/24 MI COMPACT	24/28 MI COMPACT	28/33 MI COMPACT
Cazan cu condensare			Da	Da	Da	Da
Cazan cu temperatură scăzută ⁽¹⁾			Nu	Nu	Nu	Nu
Cazan B1			Nu	Nu	Nu	Nu
Instalație cu cogenerare pentru încălzirea incintelor			Nu	Nu	Nu	Nu
Instalație de încălzire cu funcție dublă			Nu	Da	Da	Da
Putere termică nominală	<i>Prated</i>	kW	24	20	24	28
Putere termică utilă la puterea termică nominală și regim de temperatură ridicată ⁽²⁾	<i>P₄</i>	kW	24.0	20.0	24.0	28.0
Putere termică utilă la 30 % din puterea termică nominală și regim de temperatură scăzută ⁽¹⁾	<i>P₁</i>	kW	8.0	6.7	8.0	9.4
Randament energetic sezonier aferent încălzirii incintelor	<i>η_s</i>	%	93	93	93	93
Randament util la puterea termică nominală și regim de temperatură ridicată ⁽²⁾	<i>η₄</i>	%	87.9	88.0	87.9	88.1
Randament util la 30 % din puterea termică nominală și regim de temperatură scăzută ⁽¹⁾	<i>η₁</i>	%	98.0	98.0	98.0	98.1
Consum auxiliar de energie electrică						
Sarcină totală	<i>elmax</i>	kW	0.042	0.030	0.042	0.041
Sarcină parțială	<i>elmin</i>	kW	0.013	0.013	0.013	0.013
Modul standby	<i>P_{SB}</i>	kW	0.003	0.003	0.003	0.003
Alți parametri						
Pierdere de căldură în standby	<i>P_{stby}</i>	kW	0.035	0.035	0.035	0.040
Consum de energie electrică al arzătorului de aprindere	<i>P_{ign}</i>	kW	0.000	0.000	0.000	0.000
Consum anual de energie	<i>Q_{HE}</i>	GJ	74	62	74	87
Nivel de putere acustică în interior	<i>L_{WA}</i>	dB	52	49	48	53
Emisii de oxizi de azot	NO _x	mg/kWh	16	15	17	15
Parametri apă caldă menajeră						
Profilul de sarcină declarat				XL	XL	XXL
Consum zilnic de energie electrică	<i>Q_{elec}</i>	kWh		0.162	0.232	0.214
Consum anual de energie electrică	<i>AEC</i>	kWh		36	51	47
Randament energetic aferent încălzirii apei	<i>η_{wh}</i>	%		88	86	87
Consum zilnic de combustibil	<i>Q_{fuel}</i>	kWh		21.780	22.470	27.820
Consum anual de combustibil	<i>AFC</i>	GJ		17	17	22
<p>(1) Temperatură scăzută înseamnă o temperatură de retur de 30 °C pentru cazanele cu condensare, de 37 °C pentru cazanele pentru temperatură scăzută și de 50 °C pentru alte instalații de încălzire (la intrarea în instalația de încălzire).</p> <p>(2) Regim de temperatură ridicată înseamnă o temperatură de retur de 60 °C la intrarea în instalația de încălzire și o temperatură de alimentare de 80 °C la ieșirea din instalația de încălzire.</p>						

22. FIȘĂ DE PRODUS

DE DIETRICH MPX		24 COMPACT	20/24 MI COMPACT	24/28 MI COMPACT	28/33 MI COMPACT
Încălzirea incintelor - Aplicație de temperatură		Medie	Medie	Medie	Medie
Încălzirea apei - Profilul de sarcină declarat			XL	XL	XL
Clasa de randament energetic sezonier aferent încălzirii incintelor		A	A	A	A
Clasa de randament energetic aferent încălzirii apei			A	A	A
Putere termică nominală (<i>Prated sau Psup</i>)	kW	24	20	24	28
Încălzirea incintelor - Consum anual de energie	GJ	74	62	74	87
Încălzirea apei - Consum anual de energie	kWh ⁽¹⁾ GJ ⁽²⁾		36 17	51 17	47 22
Randament energetic sezonier aferent încălzirii incintelor	%	93	93	93	93
Randament energetic aferent încălzirii apei	%		88	86	87
Nivel de putere acustică L _{WA} în interior	dB	52	49	48	53
(1) Energie electrică (2) Combustibil					

Αγαπητέ Πελάτη,

η επιχείρησή μας θεωρεί ότι το νέο σας προϊόν θα ικανοποιήσει όλες τις απαιτήσεις σας. Η αγορά ενός δικού μας προϊόντος ικανοποιεί τις προσδοκίες σας: καλή λειτουργία, απλότητα και ευκολία στη χρήση.

Σας παρακαλούμε, να μη φυλάξετε αυτό το φυλλάδιο οδηγιών χωρίς να το διαβάσετε: περιέχει χρήσιμες πληροφορίες για τη σωστή και αποδοτική λειτουργία του προϊόντος σας.

Η επιχείρησή μας δηλώνει ότι αυτά τα προϊόντα διαθέτουν σήμανση **CE** σύμφωνα με τις βασικές απαιτήσεις των ακόλουθων Οδηγιών:

- Οδηγία Αερίου **2009/142/EK** (έως 20 Απρίλιος 2018)
- Κανονισμός Αερίου (ΕΕ) **2016/426** (από 21 Απρίλιος 2018)
- Οδηγία Αποδόσεων **92/42/ΕΟΚ**
- Οδηγία Ηλεκτρομαγνητικής Συμβατότητας **2014/30/ΕΕ**
- Οδηγία Χαμηλής Τάσης **2014/35/ΕΕ**
- Οδηγία οικολογικού σχεδιασμού **2009/125/EK**
- Κανονισμός (ΕΕ) αριθ. **2017/1369** (για λέβητες με Ισχύ<70kW)
- Κανονισμός οικολογικού σχεδιασμού (ΕΕ) αριθ. **813/2013**
- Κανονισμός επισήμανσης ενεργειακής απόδοσης (ΕΕ) αριθ. **811/2013** (για λέβητες με Ισχύ<70kW)



Η επιχείρησή μας, στη συνεχή προσπάθεια βελτίωσης των προϊόντων, διατηρεί το δικαίωμα τροποποίησης των δεδομένων της τεκμηρίωσης αυτής οποιαδήποτε στιγμή και χωρίς προειδοποίηση. Η παρούσα τεκμηρίωση είναι πληροφοριακό υλικό και δεν θεωρείται ως συμβόλαιο έναντι τρίτων.

Η συσκευή μπορεί να χρησιμοποιηθεί από παιδιά ηλικίας όχι μικρότερης των 8 ετών και από άτομα με μειωμένες φυσικές, αισθητηριακές ή νοητικές ικανότητες, ή χωρίς εμπειρία ή την αναγκαία γνώση, αρκεί να εποπτεύονται ή να έχουν λάβει σχετικές οδηγίες για την ασφαλή χρήση της συσκευής και την κατανόηση των κινδύνων που σχετίζονται με αυτή. Τα παιδιά δεν πρέπει να παίζουν με τη συσκευή. Ο καθαρισμός και η συντήρηση που θα πρέπει να διενεργείται από το χρήστη δεν πρέπει να γίνονται από παιδιά χωρίς επιτήρηση.

ΠΕΡΙΕΧΟΜΕΝΑ

ΠΕΡΙΓΡΑΦΗ ΣΥΜΒΟΛΩΝ	129
ΠΡΟΕΙΔΟΠΟΙΗΣΕΙΣ ΑΣΦΑΛΕΙΑΣ	129
ΓΕΝΙΚΕΣ ΠΡΟΕΙΔΟΠΟΙΗΣΕΙΣ	130
ΣΥΜΒΟΥΛΕΣ ΓΙΑ ΕΞΟΙΚΟΝΟΜΗΣΗ ΕΝΕΡΓΕΙΑΣ	130
1. ΘΕΣΗ ΣΕ ΛΕΙΤΟΥΡΓΙΑ ΤΟΥ ΛΕΒΗΤΑ	131
1.1 ΡΥΘΜΙΣΗ ΤΗΣ ΘΕΡΜΟΚΡΑΣΙΑΣ ΠΑΡΟΧΗΣ ΘΕΡΜΑΝΣΗΣ ΚΑΙ ΤΟΥ ΝΕΡΟΥ ΟΙΚΙΑΚΗΣ ΧΡΗΣΗΣ	131
1.2 ΤΡΟΠΟΙ ΛΕΙΤΟΥΡΓΙΑΣ	131
2. ΠΑΡΑΤΕΤΑΜΕΝΗ ΑΧΡΗΣΙΑ ΤΟΥ ΣΥΣΤΗΜΑΤΟΣ. ΑΝΤΙΠΑΓΩΤΙΚΗ ΠΡΟΣΤΑΣΙΑ	132
3. ΑΛΛΑΓΗ ΑΕΡΙΟΥ	132
4. ΣΦΑΛΜΑΤΑ	132
5. ΜΕΝΟΥ ΠΛΗΡΟΦΟΡΙΩΝ ΛΕΒΗΤΑ	133
6. ΣΒΗΣΙΜΟ ΤΟΥ ΛΕΒΗΤΑ	133
7. ΠΛΗΡΩΣΗ ΕΓΚΑΤΑΣΤΑΣΗΣ	133
8. ΟΔΗΓΙΕΣ ΓΙΑ ΤΗΝ ΤΑΚΤΙΚΗ ΣΥΝΤΗΡΗΣΗ	133
ΠΡΟΕΙΔΟΠΟΙΗΣΕΙΣ ΠΡΙΝ ΤΗΝ ΕΓΚΑΤΑΣΤΑΣΗ	134
9. ΕΓΚΑΤΑΣΤΑΣΗ ΤΟΥ ΛΕΒΗΤΑ	134
9.1 ΕΞΟΠΛΙΣΜΟΣ ΣΤΗ ΣΥΣΚΕΥΑΣΙΑ	134
9.2 ΔΙΑΣΤΑΣΕΙΣ ΤΟΥ ΛΕΒΗΤΑ	134
10. ΕΓΚΑΤΑΣΤΑΣΗ ΤΩΝ ΑΓΩΓΩΝ	135
10.1 ΟΜΟΑΞΟΝΙΚΟΙ ΑΓΩΓΟΙ	135
10.2 ΧΩΡΙΣΤΟΙ ΑΓΩΓΟΙ	136
11. ΗΛΕΚΤΡΙΚΕΣ ΣΥΝΔΕΣΕΙΣ	137
11.1 ΣΥΝΔΕΣΗ ΘΕΡΜΟΣΤΑΤΗ ΔΩΜΑΤΙΟΥ	137
11.2 ΑΞΕΣΟΥΑΡ ΜΗ ΠΕΡΙΛΑΜΒΑΝΟΜΕΝΑ ΚΑΤΑ ΤΗΝ ΠΑΡΑΛΑΒΗ	137
12. ΕΙΔΙΚΕΣ ΛΕΙΤΟΥΡΓΙΕΣ	138
12.1 ΠΡΩΤΟ ΑΝΑΜΜΑ	138
12.2 ΛΕΙΤΟΥΡΓΙΑ ΑΠΑΕΡΩΣΗΣ ΕΓΚΑΤΑΣΤΑΣΗΣ	138
12.3 ΛΕΙΤΟΥΡΓΙΑ ΚΑΘΑΡΙΣΜΟΥ ΚΑΠΝΟΔΟΧΟΥ	138
12.4 ΕΛΕΓΧΟΣ ΚΑΥΣΕΩΝ (CO ₂)	139
ΒΑΘΜΟΝΟΜΗΣΗ ΚΑΥΣΗΣ (CO ₂ %)	139
13. ΒΑΛΒΙΔΑ ΑΕΡΙΟΥ	139
13.1 ΤΡΟΠΟΣ ΑΛΛΑΓΗΣ ΑΕΡΙΟΥ	139
14. ΡΥΘΜΙΣΗ ΠΑΡΑΜΕΤΡΩΝ	140
14.1 ΡΥΘΜΙΣΗ ΜΕΓΙΣΤΗΣ ΙΣΧΥΟΣ ΘΕΡΜΑΝΣΗΣ	141
15. ΕΝΤΟΠΙΣΜΟΣ ΚΑΙ ΕΠΙΛΥΣΗ ΤΩΝ ΑΝΩΜΑΛΙΩΝ ΣΤΟ SERVICE	141
16. ΔΙΑΤΑΞΕΙΣ ΡΥΘΜΙΣΗΣ ΚΑΙ ΑΣΦΑΛΕΙΑΣ	143
17. ΧΑΡΑΚΤΗΡΙΣΤΙΚΑ ΠΑΡΟΧΗΣ /ΜΑΝΟΜΕΤΡΙΚΟΥ ΥΨΟΥΣ	143
18. ΕΤΗΣΙΑ ΣΥΝΤΗΡΗΣΗ	144
18.1 ΠΑΡΑΜΕΤΡΟΙ ΚΑΥΣΗΣ	144
18.2 ΥΔΡΑΥΛΙΚΗ ΜΟΝΑΔΑ	144
18.3 ΤΟΠΟΘΕΤΗΣΗ ΗΛΕΚΤΡΟΔΙΩΝ	145
18.4 ΑΝΤΙΚΑΤΑΣΤΑΣΗ ΤΩΝ ΕΞΑΡΤΗΜΑΤΩΝ	145
ΛΕΙΤΟΥΡΓΙΑ ΑΥΤΟΜΑΤΗΣ ΒΑΘΜΟΝΟΜΗΣΗΣ	145
19. ΑΠΕΓΚΑΤΑΣΤΑΣΗ, ΔΙΑΘΕΣΗ ΚΑΙ ΑΝΑΚΥΚΛΩΣΗ	145
20. ΤΕΧΝΙΚΑ ΧΑΡΑΚΤΗΡΙΣΤΙΚΑ	146
21. ΤΕΧΝΙΚΕΣ ΠΑΡΑΜΕΤΡΟΙ	147
22. ΔΕΛΤΙΟ ΠΡΟΪΟΝΤΟΣ	148

ΠΕΡΙΓΡΑΦΗ ΣΥΜΒΟΛΩΝ



ΠΡΟΕΙΔΟΠΟΙΗΣΗ

Κίνδυνος ζημιάς ή δυσλειτουργίας της συσκευής. Δώστε ιδιαίτερη προσοχή στις προειδοποιήσεις κινδύνου που αφορούν ενδεχόμενες ζημιές σε άτομα.



ΚΙΝΔΥΝΟΣ ΕΓΚΑΥΜΑΤΩΝ

Πριν ενεργήσετε σε μέρη εκτεθειμένα σε θερμότητα, περιμένετε να κρυώσει η συσκευή.



ΚΙΝΔΥΝΟΣ ΥΨΗΛΗΣ ΤΑΣΗΣ

Ηλεκτρικά μέρη υπό τάση, κίνδυνος ηλεκτροπληξίας.



ΚΙΝΔΥΝΟΣ ΠΥΡΚΑΓΙΑΣ

Υλικό ή αέριο δυνητικά εύφλεκτο.



ΚΙΝΔΥΝΟΣ ΠΑΓΩΝΙΑΣ

Πιθανός σχηματισμός πάγου διότι η θερμοκρασία μπορεί να είναι ιδιαίτερα χαμηλή.



ΣΗΜΑΝΤΙΚΕΣ ΠΛΗΡΟΦΟΡΙΕΣ

Πληροφορίες που θα πρέπει να διαβαστούν με ιδιαίτερη προσοχή διότι είναι χρήσιμες για τη σωστή λειτουργία του λέβητα.



ΓΕΝΙΚΗ ΑΠΑΓΟΡΕΥΣΗ

Απαγορεύεται η διενέργεια/χρησιμοποίηση για ό,τι αναφέρεται δίπλα από το σύμβολο.

ΠΡΟΕΙΔΟΠΟΙΗΣΕΙΣ ΑΣΦΑΛΕΙΑΣ

ΟΣΜΗ ΑΕΡΙΟΥ

- Σβήστε το λέβητα.
- Μην ενεργοποιείτε καμία ηλεκτρική διάταξη (όπως π.χ. το άναμμα φωτός).
- Σβήστε ενδεχόμενες ελεύθερες φλόγες και ανοίξτε τα παράθυρα.
- Καλέστε το Εξουσιοδοτημένο Κέντρο Τεχνικής Υποστήριξης.

ΟΣΜΗ ΚΑΥΣΑΕΡΙΩΝ

- Σβήστε το λέβητα.
- Αερίστε το χώρο ανοίγοντας πόρτες και παράθυρα.
- Καλέστε το Εξουσιοδοτημένο Κέντρο Τεχνικής Υποστήριξης.

ΕΥΦΛΕΚΤΟ ΥΛΙΚΟ

Μη χρησιμοποιείτε και/ή μην αποθέτετε υλικά εύφλεκτα (διαλύτες, χαρτί, κλπ.) πλησίον του λέβητα.

ΣΥΝΤΗΡΗΣΗ ΚΑΙ ΚΑΘΑΡΙΣΜΟΣ ΤΟΥ ΛΕΒΗΤΑ

Διακόψτε την ηλεκτρική τροφοδοσία του λέβητα πριν τη διενέργεια οποιασδήποτε επέμβασης.



Τα υλικά της συσκευασίας (πλαστικές σακούλες, πολυστυρένιο κλπ.) πρέπει να φυλάσσονται μακριά από παιδιά, καθώς αποτελούν πιθανή εστία κινδύνου.



Η συσκευή δεν προορίζεται να χρησιμοποιηθεί από άτομα των οποίων οι φυσικές, οι αισθητηριακές ή νοητικές ικανότητες είναι μειωμένες, ή λόγω έλλειψης εμπειρίας ή γνώσης, εκτός κι αν αυτά, μέσω ατόμου υπευθύνου για την ασφάλειά τους, επιτηρούνται ή γνωρίζουν τις οδηγίες τις σχετικές με τη χρήση της συσκευής.

ΓΕΝΙΚΕΣ ΠΡΟΕΙΔΟΠΟΙΗΣΕΙΣ

Ο παρών λέβητας χρησιμεύει για θέρμανση νερού σε θερμοκρασία χαμηλότερη από τη θερμοκρασία βρασμού σε ατμοσφαιρική πίεση. Θα πρέπει να είναι συνδεδεμένος με ένα δίκτυο θέρμανσης και σε ένα δίκτυο διανομής ζεστού νερού οικιακής χρήσης, σύμφωνα με τις επιδόσεις και την ισχύ του. Πριν την ανάθεση εγκατάστασης του λέβητα σε ειδικευμένο προσωπικό, διενεργήστε:

- προσεκτικό έλεγχο για να διαπιστωθεί ότι ο λέβητας μπορεί να λειτουργήσει με τον τύπο του διαθέσιμου αερίου. Για το σκοπό αυτό ελέγξτε την ένδειξη στη συσκευασία και στην επικέτα της συσκευής.
- έλεγχο για να διαπιστωθεί ότι η καμινάδα έχει τον κατάλληλο ελκυσμό, δεν παρουσιάζει στενώσεις και ότι δεν έχουν συνδεθεί σε αυτήν αγωγοί απαγωγής άλλων συσκευών, εκτός και αν έχει κατασκευαστεί για να εξυπηρετεί περισσότερες συσκευές σύμφωνα με τους ισχύοντες κανονισμούς και διατάξεις.
- έλεγχο, σε περίπτωση σύνδεσης σε υφιστάμενες καμινάδες, ότι αυτές έχουν καθαριστεί προσεκτικά καθώς, σε αντίθετη περίπτωση, τα υπολείμματα μπορούν να αποκολληθούν από τα τοιχώματα κατά τη λειτουργία και να φράξουν τον αγωγό απαγωγής καυσαερίων.
- Για να εξασφαλιστεί η σωστή λειτουργία και για να ισχύσει η εγγύηση της συσκευής, είναι απαραίτητο να ληφθούν τα ακόλουθα μέτρα .

1. Κύκλωμα ζεστού νερού

1.1 εάν η σκληρότητα του νερού είναι μεγαλύτερη από 20 °F (1 °F = 10 mg ανθρακικού ασβεστίου ανά λίτρο νερού) απαιτείται η εγκατάσταση δοσομετρητή πολυφωσφορικών αλάτων ή άλλου ανάλογου συστήματος σύμφωνα με την ισχύουσα νομοθεσία.

1.2 είναι αναγκαία η διενέργεια επιμελούς πλύσης του συστήματος μετά την εγκατάσταση της συσκευής και πριν τη χρήση της.

1.3 Τα χρησιμοποιούμενα υλικά για το κύκλωμα ζεστού νερού οικιακής χρήσης είναι σύμφωνα με την Οδηγία 98/83/ΕΚ.

2. Κύκλωμα θέρμανσης

2.1 **Νέα εγκατάσταση:** Πριν την εγκατάσταση του λέβητα, το σύστημα πρέπει να καθαριστεί δεόντως με σκοπό την απομάκρυνση υπολειμμάτων σπειρωμάτων, συγκολλήσεων και ενδεχόμενων διαλυτών χρησιμοποιώντας προϊόντα κατάλληλα διαθέσιμα στο εμπόριο μη όξινα και μη αλκαλικά, που δεν προσβάλλουν τα μέταλλα, τα πλαστικά και λαστιχένια μέρη. Για την προστασία του συστήματος από κρούστες πρέπει να χρησιμοποιείτε προϊόντα αναστολές όπως SENTINEL X100 και FERNOX προστατευτικό για συστήματα θέρμανσης. Για τη χρήση των προϊόντων αυτών ακολουθήστε προσεκτικά τις οδηγίες που παρέχονται με τα ίδια τα προϊόντα.

2.2 **Υφιστάμενη εγκατάσταση:** Πριν την εγκατάσταση του λέβητα, το σύστημα πρέπει να αδειάσει τελείως και να καθαριστεί καταλλήλως από λασπόνερα και ρύπους χρησιμοποιώντας κατάλληλα προϊόντα τα οποία διατίθενται στην αγορά και αναφέρονται στο προηγούμενο σημείο. Τα προτεινόμενα προϊόντα καθαρισμού είναι: SENTINEL X300 ή X400 και FERNOX αναγεννητικό για συστήματα θέρμανσης. Για τη χρήση των προϊόντων αυτών ακολουθήστε προσεκτικά τις οδηγίες που παρέχονται με τα ίδια τα προϊόντα. Υπενθυμίζεται ότι η παρουσία ξενών σωμάτων στην εγκατάσταση θέρμανσης μπορεί να προκαλέσει προβλήματα λειτουργίας του λέβητα (π.χ. υπερθέρμανση και θορυβώδης λειτουργία του εναλλάκτη).

Το άναμμα του λέβητα για πρώτη φορά πρέπει να γίνει από την εξουσιοδοτημένη Υπηρεσία Τεχνικής Υποστήριξης που θα πρέπει να ελέγχει:

- Αν τα δεδομένα της πινακίδας αντιστοιχούν σε εκείνα των δικτύων τροφοδοσίας (ηλεκτρικό ρεύμα, νερό, αέριο).
- Αν η εγκατάσταση είναι σύμφωνη με τους τοπικούς ισχύοντες κανονισμούς.
- Κατάλληλη σύνδεση με την παροχή ρεύματος και γείωση της συσκευής.



Η μη τήρηση των προειδοποιήσεων αυτών συνεπάγεται την μείωση χρόνου της εγγύησης της συσκευής. Πριν θέσετε σε λειτουργία αφαιρέστε το προστατευτικό φιλμ από το λέβητα. Μη χρησιμοποιείτε για το σκοπό αυτό εργαλεία ή υλικά απορρυπαντικά γιατί μπορεί να προξενήσουν ζημιά στα βερνικωμένα μέρη.

ΣΥΜΒΟΥΛΕΣ ΓΙΑ ΕΞΟΙΚΟΝΟΜΗΣΗ ΕΝΕΡΓΕΙΑΣ

Ρύθμιση της θέρμανσης

Ρυθμίστε τη θερμοκρασία παροχής λέβητα σε συνάρτηση του τύπου εγκατάστασης. Για εγκαταστάσεις με καλοριφέρ, συστήνεται να θέσετε μια μέγιστη θερμοκρασία παροχής του νερού θέρμανσης περίπου 60°C. αυξήστε την τιμή αυτή αν δεν επιτυγχάνεται η απαιτούμενη άνεση στο περιβάλλον. Στην περίπτωση εγκατάστασης με ενδοδαπέδια θέρμανση, μην ξεπερνάτε τη θερμοκρασία που προβλέπεται από το σχεδιαστή της εγκατάστασης. Συστήνεται η χρησιμοποίηση του Εξωτερικού Αισθητήρα ή/ και του Πίνακα Ελέγχου για την αυτόματη προσαρμογή της θερμοκρασίας παροχής σε συνάρτηση των ατμοσφαιρικών συνθηκών ή της εσωτερικής θερμοκρασίας. Με τον τρόπο αυτό δεν παράγεται πλέον θερμότητα περισσότερη από την πραγματικά αναγκαία. Ρυθμίστε τη θερμοκρασία περιβάλλοντος χώρου χωρίς να υπερθερμαίνετε τους χώρους. Κάθε επιπλέον βαθμός θερμοκρασίας σημαίνει μεγαλύτερη ενεργειακή κατανάλωση, ίση περίπου με 6%. Προσαρμόστε τη θερμοκρασία περιβάλλοντος και σε συνάρτηση με τον τύπο χρησιμοποίησης των χώρων. Για παράδειγμα, η κρεβατοκάμαρα ή τα λιγότερο χρησιμοποιούμενα δωμάτια μπορούν να θερμαίνονται σε χαμηλότερη θερμοκρασία. Να χρησιμοποιείτε τον ωριαίο προγραμματισμό και να θέτετε τη θερμοκρασία περιβάλλοντος στις νυχτερινές ώρες χαμηλότερα από εκείνη στις ημερήσιες ώρες κατά περίπου 5°C. Χαμηλότερη τιμή δεν συμφέρει από άποψη εξοικονόμησης ενέργειας. Μόνο σε περίπτωση μακράς απουσίας, όπως για παράδειγμα στις διακοπές, να χαμηλώνετε περισσότερο την θερμοκρασία. Μην καλύπτετε τα θερμαντικά σώματα για να μην παρεμποδίζεται η σωστή κυκλοφορία αέρα. Για τον αερισμό των χώρων μην αφήνετε μισόκλειστα τα παράθυρα αλλά να τα ανοίγετε τελείως για σύντομη χρονική περίοδο.

Ζεστό νερό οικιακής χρήσης

Ικανοποιητική εξοικονόμηση ενέργειας επιτυγχάνεται θέτοντας την επιθυμητή θερμοκρασία του νερού οικιακής χρήσης χωρίς να αναμινύετε με κρύο νερό. Κάθε περαιτέρω θέρμανση προξενεί σπατάλη ενέργειας και μεγαλύτερο σχηματισμό αλάτων.

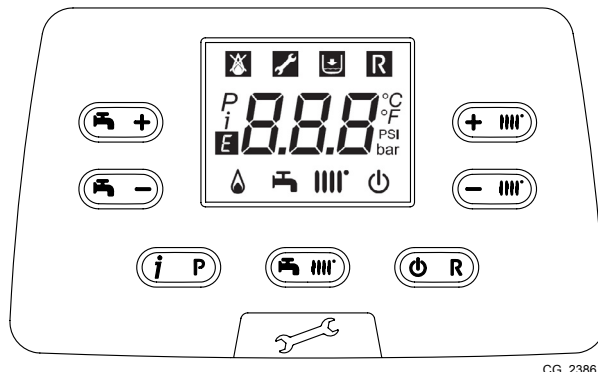
1. ΘΕΣΗ ΣΕ ΛΕΙΤΟΥΡΓΙΑ ΤΟΥ ΛΕΒΗΤΑ

Για να ανάψετε σωστά το λέβητα, ενεργήστε ως εξής:

- Ελέγξτε αν η πίεση της εγκατάστασης είναι η προκαθορισμένη (κεφάλαιο 7).
- Τροφοδοτήστε με ρεύμα το λέβητα.
- Ανοίξτε τη στρόφιγγα του αερίου (κίτρινου χρώματος, τοποθετημένη κάτω από το λέβητα).
- Επιλέξτε τον επιθυμητό τρόπο θέρμανσης (κεφάλαιο 1.2).

Υπόμνημα ΚΟΥΜΠΙΩΝ

	Ρύθμιση θερμοκρασίας του νερού θέρμανσης (κουμπί + για την αύξηση της θερμοκρασίας και κουμπί - για τη μείωσή της)
	Ρύθμιση θερμοκρασίας νερού θέρμανσης (κουμπί + για την αύξηση της θερμοκρασίας και κουμπί - για τη μείωσή της)
	Πληροφορίες λειτουργίας λέβητα
	Τρόπος λειτουργίας: Ζεστό νερό οικιακής χρήσης – Ζεστό νερό οικιακής χρήσης & Θέρμανση – Μόνο Θέρμανση
	Σβηστό – Reset – Έξοδος μενού/λειτουργίες



CG_2386

Υπόμνημα ΣΥΜΒΟΛΩΝ

	Σβηστός: Θέρμανση και υγιεινή χρήση ανενεργές (είναι ενεργή μόνο η αντιπαγωτική προστασία λέβητα)		Καυστήρας αναμμένος
	Ανωμαλία που παρεμποδίζει το άναμμα του καυστήρα		Τρόπος λειτουργίας σε ζεστό νερό ενεργός
	Πίεση νερού λέβητα/εγκατάστασης χαμηλή		Τρόπος λειτουργίας σε θέρμανση ενεργός
	Ζητήθηκε επέμβαση της Τεχνικής Υποστήριξης		Μενού προγραμματισμού
	Ανωμαλία αποκαταστάσιμη χειροκίνητα (κουμπί)		Μενού πληροφοριών λέβητα
	Ανωμαλία σε εξέλιξη	°C, °F, bar, PSI	Μονάδες μέτρησης τεθείσες (SI/US)

1.1 ΡΥΘΜΙΣΗ ΤΗΣ ΘΕΡΜΟΚΡΑΣΙΑΣ ΠΑΡΟΧΗΣ ΘΕΡΜΑΝΣΗΣ ΚΑΙ ΤΟΥ ΝΕΡΟΥ ΟΙΚΙΑΚΗΣ ΧΡΗΣΗΣ

Η ρύθμιση της θερμοκρασίας παροχής θέρμανσης και του ζεστού νερού οικιακής χρήσης (παρουσία εξωτερικού μπόιλερ) διενεργείται ενεργώντας αντίστοιχα στα κουμπιά και . Το άναμμα του καυστήρα απεικονίζεται στην οθόνη με το σύμβολο .

ΘΕΡΜΑΝΣΗ: Κατά τη λειτουργία του λέβητα σε θέρμανση, στην οθόνη απεικονίζεται το σύμβολο διαλειπτικά και η θερμοκρασία παροχής θέρμανσης (°C).

Σε περίπτωση σύνδεσης Εξωτερικού Αισθητήρα, τα κουμπιά ρυθμίζουν έμμεσα τη θερμοκρασία περιβάλλοντος (εργοστασιακή τιμή 20°C - βλέπε κεφάλαιο 11.2.1).

ΖΕΣΤΟ ΝΕΡΟ ΟΙΚΙΑΚΗΣ ΧΡΗΣΗΣ: Κατά τη λειτουργία του λέβητα σε ζεστό νερό οικιακής χρήσης, στην οθόνη απεικονίζεται το σύμβολο διαλειπτικά και η θερμοκρασία του πρωτεύοντος κυκλώματος του λέβητα (°C).

1.2 ΤΡΟΠΟΙ ΛΕΙΤΟΥΡΓΙΑΣ

ΕΜΦΑΝΙΖΟΜΕΝΟ ΣΥΜΒΟΛΟ	ΤΡΟΠΟΣ ΛΕΙΤΟΥΡΓΙΑΣ
	ΖΕΣΤΟ ΝΕΡΟ ΟΙΚΙΑΚΗΣ ΧΡΗΣΗΣ
	ΖΕΣΤΟ ΝΕΡΟ ΟΙΚΙΑΚΗΣ ΧΡΗΣΗΣ & ΘΕΡΜΑΝΣΗ
	ΜΟΝΟ ΘΕΡΜΑΝΣΗ

Για την ενεργοποίηση της λειτουργίας της συσκευής σε **Ζεστό νερό οικιακής χρήσης - Θέρμανση** ή **Μόνο Θέρμανση** πατήστε επαναλαμβανόμενα το κουμπί και επιλέξτε έναν από τους τρεις διαθέσιμους τρόπους.

Για την απενεργοποίηση των τρόπων λειτουργίας του λέβητα διατηρώντας ενεργή την αντιπαγωτική λειτουργία, πατήστε για τουλάχιστον 3 δευτερόλεπτα το κουμπί , στην οθόνη θα εμφανιστεί μόνο το σύμβολο (με λέβητα μπλοκαρισμένο αναβοσβήνει ο οπίσθιος φωτισμός της οθόνης).

2. ΠΑΡΑΤΕΤΑΜΕΝΗ ΑΧΡΗΣΙΑ ΤΟΥ ΣΥΣΤΗΜΑΤΟΣ. ΑΝΤΙΠΑΓΩΤΙΚΗ ΠΡΟΣΤΑΣΙΑ

Συνιστάται να αποφεύγετε την αποστράγγιση ολόκληρης της εγκατάστασης θέρμανσης, καθώς οι αλλαγές νερού αποτελούν αιτία σχηματισμού άχρηστων και επιβλαβών αλάτων στο εσωτερικό του λέβητα και των θερμαντικών σωμάτων. Σε περίπτωση που η θερμική εγκατάσταση δε χρησιμοποιείται κατά τη διάρκεια του χειμώνα και υπάρχει κίνδυνος παγετού, συνιστάται να προσθέσετε στο νερό της εγκατάστασης κατάλληλα διαλύματα αντιπαγωτικού που προορίζονται για το σκοπό αυτό (π.χ. προπυλενική γλυκόλη σε συνδυασμό με αναστολείς διάβρωσης και καθαλατώσεων). Η ηλεκτρονική διαχείριση του λέβητα διαθέτει "αντιπαγωτική" προστασία στη λειτουργία θέρμανσης ώστε με θερμοκρασία μικρότερης των 5 °C να τίθεται σε λειτουργία ο καυστήρας μέχρι η θερμοκρασία να φθάσει περίπου τους 30 °C.



Η λειτουργία είναι ενεργή αν ο λέβητας τροφοδοτείται ηλεκτρικά, υπάρχει αέριο, η πίεση της εγκατάστασης είναι η ενδειγμένη και ο λέβητας δεν είναι μπλοκαρισμένος.

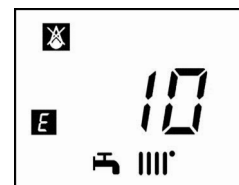
3. ΑΛΛΑΓΗ ΑΕΡΙΟΥ

Οι λέβητες μπορούν να λειτουργούν είτε με μεθάνιο (G20), είτε με υγραέριο GPL (G31). Σε περίπτωση που καθίσταται αναγκαία η αλλαγή αερίου, πρέπει να απευθυνθείτε στην ΕΞΟΥΣΙΟΔΟΤΗΜΕΝΗ ΥΠΗΡΕΣΙΑ ΤΕΧΝΙΚΗΣ ΥΠΟΣΤΗΡΙΞΗΣ.

4. ΣΦΑΛΜΑΤΑ

Τα σφάλματα που εμφανίζονται στην οθόνη αναγνωρίζονται από το σύμβολο **E** και από έναν αριθμό (κωδικός βλάβης). Για την πλήρη λίστα των βλαβών βλέπε τον ακόλουθο πίνακα.

Αν στην οθόνη εμφανιστεί το σύμβολο **R** το σφάλμα απαιτεί RESET από τον χρήστη. Για να κάνετε RESET στο λέβητα, πιέστε για τουλάχιστον 2 δευτερόλεπτα το κουμπί **ON/OFF**. Σε περίπτωση επέμβασης συχνών απεικονίσεων σφαλμάτων, καλέστε το εξουσιοδοτημένο Κέντρο Τεχνικής Υποστήριξης.



E	Περιγραφή ανωμαλίας	ΕΠΕΜΒΑΣΗ
09	Σφάλμα σύνδεσης βαλβίδας αερίου	Καλέστε το εξουσιοδοτημένο κέντρο τεχνικής υποστήριξης.
10	Εξωτερικός αισθητήρας χαλασμένος	Καλέστε το εξουσιοδοτημένο κέντρο τεχνικής υποστήριξης.
12	Μη μεταλλαγή πρεσοστάτη διαφορικού υδραυλικού	Καλέστε το εξουσιοδοτημένο κέντρο τεχνικής υποστήριξης.
13	Επαφές κολημμένες πρεσοστάτη διαφορικού υδραυλικού	Καλέστε το εξουσιοδοτημένο κέντρο τεχνικής υποστήριξης.
15	Σφάλμα εντολής βαλβίδας αερίου	Καλέστε το εξουσιοδοτημένο κέντρο τεχνικής υποστήριξης.
18	Αυτόματη πλήρωση υδραυλικού κυκλώματος σε εξέλιξη	Περιμένετε το τέλος του κύκλου πλήρωσης
19	Ανωμαλία στη φάση πλήρωσης συστήματος	Πατήστε για τουλάχιστον 2 δευτερόλεπτα το κουμπί R .
20	Αισθητήρας NTC παροχής χαλασμένος	Καλέστε το εξουσιοδοτημένο κέντρο τεχνικής υποστήριξης.
28	Αισθητήρας NTC καυσαερίων χαλασμένος	Καλέστε το εξουσιοδοτημένο κέντρο τεχνικής υποστήριξης.
40	Αισθητήρας NTC επιστροφής χαλασμένος	Καλέστε το εξουσιοδοτημένο κέντρο τεχνικής υποστήριξης.
50	Αισθητήρας NTC ζεστού νερού οικιακής χρήσης χαλασμένος (μόνο για μοντέλο μόνο θέρμανσης με μπόιλερ)	Καλέστε το εξουσιοδοτημένο κέντρο τεχνικής υποστήριξης.
53	Αγωγός καυσαερίων φραγμένος	Διακόψτε την ηλεκτρική τροφοδοσία στο λέβητα για μερικά δευτερόλεπτα. Αν η ανωμαλία επιμένει, καλέστε το εξουσιοδοτημένο κέντρο τεχνικής υποστήριξης.
55	Ηλεκτρονική κάρτα μη βαθμονομημένη	Καλέστε το εξουσιοδοτημένο κέντρο τεχνικής υποστήριξης.
83...87	Πρόβλημα επικοινωνίας μεταξύ κάρτας λέβητα και μονάδας χειρισμού. Πιθανό βραχυκύκλωμα στην καλωδίωση.	Καλέστε το εξουσιοδοτημένο κέντρο τεχνικής υποστήριξης.
92	Ανωμαλία καυσαερίων κατά τη φάση βαθμονόμησης (πιθανή ανακυκλοφορία καυσαερίων)	Καλέστε το εξουσιοδοτημένο κέντρο τεχνικής υποστήριξης.
109	Παρουσία αέρα στο κύκλωμα λέβητα (προσωρινή ανωμαλία)	Καλέστε το εξουσιοδοτημένο κέντρο τεχνικής υποστήριξης.
110	Επέμβαση θερμοστάτη ασφαλείας λόγω υπερβολικής θερμοκρασίας (αντλία πιθανώς μπλοκαρισμένη ή αέρας στο κύκλωμα θέρμανσης).	Πατήστε για τουλάχιστον 2 δευτερόλεπτα το κουμπί R .
117	Πίεση υδραυλικού κυκλώματος πολύ υψηλή (> 2,7 bar)	Καλέστε το εξουσιοδοτημένο κέντρο τεχνικής υποστήριξης.
118	Πίεση υδραυλικού κυκλώματος πολύ χαμηλή	Ελέγξτε αν η πίεση της εγκατάστασης είναι η προκαθορισμένη. Βλέπε παράγραφο ΠΛΗΡΩΣΗΣ ΣΥΣΤΗΜΑΤΟΣ.
125	Επέμβαση ασφαλείας λόγω απουσίας κυκλοφορίας. (έλεγχος διενεργηθείς μέσω αισθητήρα θερμοκρασίας)	Πατήστε για τουλάχιστον 2 δευτερόλεπτα το κουμπί R .
128	Απώλεια φλόγας	Πατήστε για τουλάχιστον 2 δευτερόλεπτα το κουμπί R .
129	Απώλεια φλόγας σε άναμμα	Καλέστε το εξουσιοδοτημένο κέντρο τεχνικής υποστήριξης.
130	Επέμβαση αισθητήρα NTC καυσαερίων λόγω υπερβολικής θερμοκρασίας	Πατήστε για τουλάχιστον 2 δευτερόλεπτα το κουμπί R .
133	Μη ανάφλεξη (5 προσπάθειες)	Πατήστε για τουλάχιστον 2 δευτερόλεπτα το κουμπί R .

Ενότητα ΧΡΗΣΤΗ (e1)

134	Βαλβίδα αερίου μπλοκαρισμένη	Πατήστε για τουλάχιστον 2 δευτερόλεπτα το κουμπί R .	
135	Εσωτερικό σφάλμα κάρτας	Πατήστε για τουλάχιστον 2 δευτερόλεπτα το κουμπί R .	
154	Δοκιμή ελέγχου αισθητήρα παροχής/επιστροφής	Καλέστε το εξουσιοδοτημένο κέντρο τεχνικής υποστήριξης.	
160	Ανωμαλία λειτουργίας ανεμιστήρα	Καλέστε το εξουσιοδοτημένο κέντρο τεχνικής υποστήριξης.	
178	Επέμβαση θερμοστάτη ασφαλείας λόγω υπερβολικής θερμοκρασίας σε σύστημα χαμηλής θερμοκρασίας.	Καλέστε το εξουσιοδοτημένο κέντρο τεχνικής υποστήριξης.	
270	Υπερθέρμανση λειτουργία	Καλέστε το εξουσιοδοτημένο κέντρο τεχνικής υποστήριξης.	
317	162	Συχνότητα ηλεκτρικής τροφοδοσίας εσφαλμένη	Καλέστε το εξουσιοδοτημένο κέντρο τεχνικής υποστήριξης.
321	163	Αισθητήρας NTC ζεστού νερού οικιακής χρήσης χαλασμένος	Καλέστε το εξουσιοδοτημένο κέντρο τεχνικής υποστήριξης.
384	164	Παρασιτική φλόγα (εσωτερική ανωμαλία)	Πατήστε για τουλάχιστον 2 δευτερόλεπτα το κουμπί R .
385	165	Τάση τροφοδοσίας πολύ χαμηλή	Η επαναφορά είναι αυτόματη με τάση μεγαλύτερη των 175V. Αν η ανωμαλία επιμένει, καλέστε το εξουσιοδοτημένο κέντρο τεχνικής υποστήριξης.
431	Ανταλλάκτης αισθητήρας χαλασμένος	Καλέστε το εξουσιοδοτημένο κέντρο τεχνικής υποστήριξης.	



Σε περίπτωση ανωμαλίας ο οπίσθιος φωτισμός της οθόνης ανάβει εμφανίζοντας τον κωδικό σφάλματος. Μπορείτε να κάνετε 5 διαδοχικές προσπάθειες επανοπλισμού μετά τις οποίες ο λέβητας παραμένει μπλοκαρισμένος. Για τη διενέργεια μιας νέας προσπάθειας επανοπλισμού, θα πρέπει να περιμένετε 15 λεπτά.

5. ΜΕΝΟΥ ΠΛΗΡΟΦΟΡΙΩΝ ΛΕΒΗΤΑ

Πατήστε για τουλάχιστον 1 δευτερόλεπτο το κουμπί **(iP)** για να εμφανιστούν οι πληροφορίες που φέρονται στον ακόλουθο πίνακα. Για να βγείτε πιέστε το κουμπί **(θIR)**.

i	ΠΕΡΙΓΡΑΦΗ	i	ΠΕΡΙΓΡΑΦΗ
00	Εσωτερικός κωδικός δευτερεύουσας βλάβης	06	Θερμοκρασία επιστροφής θέρμανσης (°C)
01	Θερμοκρασία παροχής θέρμανσης (°C)	07	Θερμοκρασία αισθητήρα καυσαερίων (°C)
02	Θερμοκρασία εξωτερική (°C)	08	Θερμοκρασία πρωτεύοντος εναλλάκτη (°C)
03	Θερμοκρασία ζεστού νερού οικιακής χρήσης εξωτερικού μπόιλερ (λέβητας μόνο θέρμανσης)	09 - 13	Πληροφορίες κατασκευαστή
04	Θερμοκρασία ζεστού νερού οικιακής χρήσης (λέβητας με εναλλάκτη με πλάκες)	14	Αναγνώριση επικοινωνίας Open Therm
05	Πίεση νερού εγκατάστασης θέρμανσης (bar)	15 - 18	Πληροφορίες κατασκευαστή

6. ΣΒΗΣΙΜΟ ΤΟΥ ΛΕΒΗΤΑ

Για το σβήσιμο του λέβητα πρέπει να διακόψετε την ηλεκτρική τροφοδοσία της συσκευής μέσω του διπολικού διακόπτη. Στον τρόπο λειτουργίας "Σβηστό-αντιπαγετική προστ.-" **(U)** ο λέβητας παραμένει σβηστός αλλά τα ηλεκτρικά κυκλώματα παραμένουν υπό τάση και ενεργοποιείται η αντιπαγετική λειτουργία..

7. ΠΛΗΡΩΣΗ ΕΓΚΑΤΑΣΤΑΣΗΣ

Ελέγχετε περιοδικά εάν η ένδειξη της πίεσης στο μανόμετρο **B**, σε εγκατάσταση κρύα, κυμαίνεται μεταξύ 1 και 1,5 bar. Σε περίπτωση χαμηλής πίεσης, ενεργήστε στη στρόφιγγα "A" τροφοδοσίας του λέβητα (εικόνα δίπλα).

A	Στρόφιγγα πλήρωσης λέβητα/εγκατάστασης
B	Μανόμετρο



Συστήνεται να δώσετε ιδιαίτερη προσοχή στη φάση πλήρωσης της εγκατάστασης θέρμανσης. Ειδικότερα, ανοίξτε τις θερμοστατικές βαλβίδες που ενδεχομένως υπάρχουν στην εγκατάσταση, κάντε να ρεώσει αργά το νερό για να μη σχηματιστεί αέρας εντός του πρωτεύοντος κυκλώματος, μέχρι να επιτευχθεί η πίεση αναγκαία για τη λειτουργία. Τέλος, κάντε απαέρωση των ενδεχόμενων θερμαντικών στοιχείων εντός της εγκατάστασης. Η De Dietrich αποποιείται κάθε ευθύνης για ζημιές προερχόμενες από την παρουσία φυσαλίδων αέρα εντός του πρωτεύοντος εναλλάκτη οφειλόμενη σε εσφαλμένη ή ανακριβή τήρηση των παραπάνω.



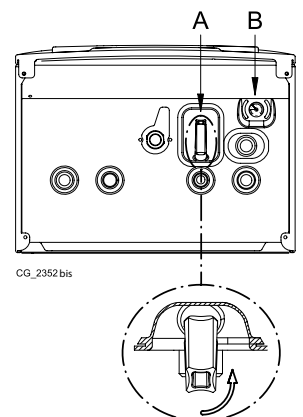
Ο λέβητας διαθέτει υδραυλικό πρεσοστάτη που, σε περίπτωση απουσίας νερού, δεν επιτρέπει τη λειτουργία του λέβητα.



Σε περίπτωση που παρατηρούνται συχνές πτώσεις πίεσης, ζητήστε την επέμβαση της ΕΞΟΥΣΙΟΔΟΤΗΜΕΝΗΣ ΥΠΗΡΕΣΙΑΣ ΤΕΧΝΙΚΗΣ ΥΠΟΣΤΗΡΙΞΗΣ.

8. ΟΔΗΓΙΕΣ ΓΙΑ ΤΗΝ ΤΑΚΤΙΚΗ ΣΥΝΤΗΡΗΣΗ

Για να διατηρείται η αποδοτική και ασφαλής λειτουργία του λέβητα σας, αναθέστε τον έλεγχο του σε εξουσιοδοτημένη Υπηρεσία Τεχνικής Υποστήριξης, μετά το τέλος κάθε περιόδου λειτουργίας. Με την προσεγμένη συντήρηση εξασφαλίζεται η οικονομική λειτουργία της εγκατάστασης.



CG_2392 bis

Ενότητα ΧΡΗΣΤΗ (ει)

ΠΡΟΕΙΔΟΠΟΙΗΣΕΙΣ ΠΡΙΝ ΤΗΝ ΕΓΚΑΤΑΣΤΑΣΗ

Οι τεχνικές σημειώσεις και οι οδηγίες που ακολουθούν απευθύνονται στους εγκαταστάτες προκειμένου να τους βοηθήσουν στην ορθή εκτέλεση της εγκατάστασης. Οι οδηγίες που αφορούν το άναμμα και τη χρήση του λέβητα βρίσκονται στο τμήμα που απευθύνεται στο χρήστη.

Εκτός αυτών, έχετε υπόψη σας ότι:

- Σε περίπτωση εγκατάστασης της συσκευής σε χώρο με θερμοκρασία μικρότερη των 0°C, λάβετε τα αναγκαία μέτρα για την αποφυγή σχηματισμού πάγου στο σιφώνιο και στην απομάκρυνση του συμπυκνώματος.
- Ο λέβητας μπορεί να συνδεθεί με οποιοδήποτε τύπου θερμομαντικό μέσο, καλοριφέρ ή αερόθερμο, δισωλήνιου ή μονοσωλήνιου τύπου. Ωστόσο, οι διατομές του κυκλώματος πρέπει να υπολογίζονται σύμφωνα με τις κοινές μεθόδους λαμβάνοντας υπόψη τη χαρακτηριστική παροχή-μανομετρικό ύψος διαθέσιμη για την πλάκα και που αναφέρονται στην παράγραφο 16.
- Τα υλικά της συσκευασίας (πλαστικές σακούλες, πολυστυρένιο κλπ.) πρέπει να φυλάσσονται μακριά από παιδιά, καθώς αποτελούν πιθανή εστία κινδύνου.
- Το πρώτο άναμμα του λέβητα πρέπει να γίνει από την εξουσιοδοτημένη Υπηρεσία Τεχνικής Υποστήριξης τα στοιχεία της οποίας αναφέρονται στο συνημμένο φύλλο.

Η μη τήρηση των παραπάνω καθιστά την εγγύηση άκυρη.

ΠΡΟΕΙΔΟΠΟΙΗΣΗ ΣΥΜΠΛΗΡΩΜΑΤΙΚΗΣ ΑΝΤΛΙΑΣ

Σε περίπτωση χρήσης συμπληρωματικής αντλίας στην εγκατάσταση θέρμανσης, τοποθετήστε την στο κύκλωμα επιστροφής του λέβητα. Αυτό για να επιτραπεί η σωστή λειτουργία του πρεσοστάτη νερού.

ΗΛΙΑΚΗ ΠΡΟΕΙΔΟΠΟΙΗΣΗ

Σε περίπτωση προσωρινής σύνδεσης του λέβητα (σύνθετος) σε εγκατάσταση με ηλιακά πάνελ, η μέγιστη θερμοκρασία του ζεστού νερού οικιακής χρήσης στην είσοδο του λέβητα δεν πρέπει να είναι μεγαλύτερη των 60°C.



Τα υλικά της συσκευασίας (πλαστικές σακούλες, πολυστυρένιο κλπ.) πρέπει να φυλάσσονται μακριά από παιδιά, καθώς αποτελούν πιθανή εστία κινδύνου.

9. ΕΓΚΑΤΑΣΤΑΣΗ ΤΟΥ ΛΕΒΗΤΑ

Η εικόνα του μορφότυπου είναι διαθέσιμη στο τέλος του εγχειριδίου στην ενότητα "SECTION" C.

Αφού καθορίσετε την ακριβή θέση του λέβητα, στερεώστε το σχέδιο εγκατάστασης στον τοίχο. Για την εγκατάσταση, ξεκινήστε από τη θέση των στομιών εισαγωγής νερού και αερίου που υπάρχουν στην κάτω λωρίδα του σχεδίου. Συστήνεται η εγκατάσταση, στο κύκλωμα θέρμανσης, δύο βανών (παροχής και επιστροφής) G3/4, που διατίθενται κατά παραγγελία και που επιτρέπουν, σε περίπτωση σημαντικών επεμβάσεων, να ενεργείτε χωρίς να χρειάζεται να αδειάζετε όλο το σύστημα θέρμανσης. Σε περίπτωση υφιστάμενης εγκατάστασης και αντικατάστασης συνιστάται, εκτός των προαναφερθέντων, και η τοποθέτηση στην επιστροφή του λέβητα και στο κάτω μέρος ενός δοχείου καθίζησης για τη συγκέντρωση αλάτων ή υπολειμμάτων τα οποία παραμένουν μετά τον καθαρισμό και μπορούν με το χρόνο να τεθούν σε κυκλοφορία. Αφού στερεωθεί ο λέβητας στον τοίχο διενεργήστε τη σύνδεση στους αγωγούς αποστράγγισης και απορρόφησης, που παρέχονται ως αξεσουάρ, όπως περιγράφεται στα επόμενα κεφάλαια. Συνδέστε το σιφώνιο σε μια λεκάνη αποστράγγισης εξασφαλίζοντας μια συνεχή κλίση. Να αποφεύγονται οριζόντια τμήματα.



Μην ανασκώνετε τη συσκευή ασκώντας δύναμη στα πλαστικά μέρη, όπως για παράδειγμα το σιφώνιο και τον πυργίσκο καπνών.



Σφίξτε καλά τους συνδέσμους ύδρευσης του λέβητα (μέγιστη ροπή 30Nm).



Πριν τη θέση σε λειτουργία του λέβητα, γεμίστε το σιφώνιο με νερό για να μη διαχυθούν οι καπνοί στο δωμάτιο.

9.1 ΕΞΟΠΛΙΣΜΟΣ ΣΤΗ ΣΥΣΚΕΥΑΣΙΑ

- Μορφότυπο (βλέπε εικόνα στο προσάρτημα "SECTION" C)
- Τραβέρσα στήριξης λέβητα
- Ούπα 8 mm και βίδες πίεσης
- Σωλήνας απαγωγής συμπυκνώματος

ΑΞΕΣΟΥΑΡ παρεχόμενα κατά παραγγελία:

- Στρόφιγγες παροχής/επιστροφής θέρμανσης, στρόφιγγα εισόδου νερού και τηλεσκοπικές αρθρώσεις
- Στρόφιγγα αερίου

9.2 ΔΙΑΣΤΑΣΕΙΣ ΤΟΥ ΛΕΒΗΤΑ

Οι διαστάσεις του λέβητα και τα σχετικά μεγέθη εγκατάστασης των συνδέσεων ύδρευσης φέρονται στο τέλος του εγχειριδίου στην ενότητα "SECTION" C.

A	Εκκένωση συμπυκνώματος	D	Είσοδος ΑΕΡΙΟΥ
B	Παροχή εγκατάστασης θέρμανσης	E	Είσοδος κρύου νερού οικιακής χρήσης/Πλήρωση εγκατάστασης
C	Παροχή ζεστού νερού οικιακής χρήσης (G1/2") / μπύιλερ (G3/4")	F	Επιστροφή εγκατάστασης θέρμανσης

10. ΕΓΚΑΤΑΣΤΑΣΗ ΤΩΝ ΑΓΩΓΩΝ

Η εγκατάσταση του λέβητα μπορεί να γίνει με ευκολία και χωρίς προβλήματα χάρη στα παρεχόμενα εξαρτήματα τα οποία περιγράφονται στη συνέχεια. Ο λέβητας είναι αρχικά ρυθμισμένος για σύνδεση με κατακόρυφο ή οριζόντιο αγωγό απαγωγής-αναρρόφησης ομοαξονικού τύπου. Ο λέβητας μπορεί να χρησιμοποιείται και με χωριστούς αγωγούς χρησιμοποιώντας το kit ξεχωριστών αγωγών.

ΠΡΟΕΙΔΟΠΟΙΗΣΕΙΣ

C13, C33 Τα τερματικά των ξεχωριστών καμινάδων πρέπει να προβλέπονται εντός ενός πλαισίου μήκους 50 cm. Αναλυτικές οδηγίες υπάρχουν μαζί με τα ατομικά αξεσουάρ.

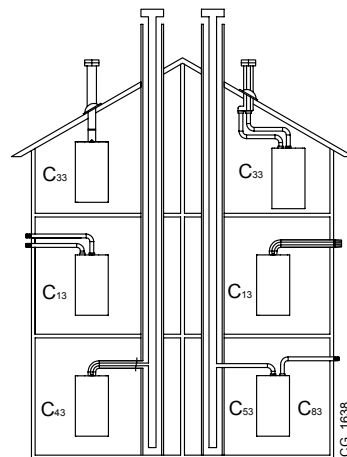
C53 Τα τερματικά για την απορρόφηση του καύσιμου αέρα και για την εκκένωση των προϊόντων καύσης δεν πρέπει να προβλέπονται σε τοίχους αντίθετους της οικοδομής.

C63 Η μέγιστη απώλεια φορτίου των αγωγών δεν πρέπει να ξεπερνάει τα **100 Pa**. Οι αγωγοί θα πρέπει να είναι πιστοποιημένοι για συγκεκριμένη χρήση και για μια θερμοκρασία μεγαλύτερη των 100°C. Το χρησιμοποιούμενο τερματικό καπνοδόχου θα πρέπει να είναι πιστοποιημένο σύμφωνα με το Πρότυπο EN 1856-1.

C43, C83 Η χρησιμοποιούμενη καπνοδόχος ή καμινάδα θα πρέπει να είναι κατάλληλη για τη χρήση.



Για μεγαλύτερη ασφάλεια λειτουργίας οι αγωγοί απαγωγής καυσαερίων πρέπει να είναι στερεωμένοι στον τοίχο με ειδικά στηρίγματα στερέωσης. Οι βραχίονες θα πρέπει να τοποθετούνται σε μια απόσταση περίπου 1 μέτρου ο ένας από τον άλλον απέναντι από τους ενώσεις.



Διαβάστε προσεκτικά τις οδηγίες για τους αγωγούς, που περιέχονται στο εγχειρίδιο αυτό και εκείνες που παρέχονται με τα αξεσουάρ. Σε περίπτωση διαφορών, ισχύουν οι οδηγίες για τους αγωγούς του παρόντος εγχειριδίου.

10.1 ΟΜΟΑΞΟΝΙΚΟΙ ΑΓΩΓΟΙ

Ο αγωγός αυτού του τύπου επιτρέπει την απαγωγή των καυσαερίων και την αναρρόφηση του αέρα καύσης τόσο από το εξωτερικό του κτιρίου, όσο και από καπνοδόχους τύπου LAS. Η ομοαξονική γωνία 90° επιτρέπει τη σύνδεση του λέβητα στους αγωγούς απαγωγής-αναρρόφησης προς οποιαδήποτε κατεύθυνση χάρη στη δυνατότητα περιστροφής κατά 360°. Επιπλέον, μπορεί να χρησιμοποιηθεί ως εφεδρική γωνία σε συνδυασμό με ομοαξονικό αγωγό ή με γωνία 45°.

Σε περίπτωση απαγωγής στο εξωτερικό του κτιρίου ο αγωγός απαγωγής-αναρρόφησης πρέπει να εξέρχεται τουλάχιστον κατά 18 mm από τον τοίχο για να επιτρέπεται η τοποθέτηση ροζέτας αλουμινίου και το σφράγισμα της ώστε να αποφεύγεται η είσοδος νερού.

- Η εισαγωγή γωνίας 90° μειώνει το συνολικό μήκος του αγωγού κατά 1 μέτρο.
- Η εισαγωγή γωνίας 45° μειώνει το συνολικό μήκος του αγωγού κατά 0,5 μέτρο.
- Η πρώτη γωνία 90° δεν υπεισέρχεται στον υπολογισμό του μέγιστου διαθέσιμου μήκους.

Στερεώστε τους σωλήνες απορρόφησης με δύο ψευδαργυρωμένες αυτοκοχλιούμενες βίδες Ø 4,2 mm και μέγιστου μήκους 19 mm. Αν οι βίδες δεν υπάρχουν στην προμήθεια, θα πρέπει να τις βρείτε στην αγορά με τα ίδια χαρακτηριστικά.



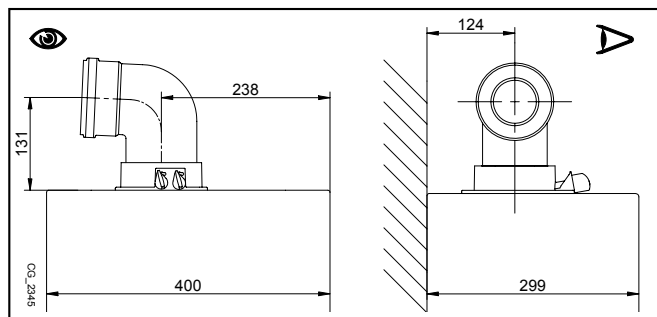
Πριν στερεώσετε τις βίδες, βεβαιωθείτε ότι ο σωλήνας έχει εισαχθεί στο εσωτερικό της τσιμούχας για τουλάχιστον 45 mm από το άκρο της (βλέπε τις εικόνες στο τέλος του εγχειριδίου στο προσάρτημα "SECTION" D).



Η ελάχιστη κλίση, προς το λέβητα, του αγωγού απαγωγής πρέπει να είναι 5 cm ανά μέτρο μήκους.



ΟΡΙΣΜΕΝΑ ΠΑΡΑΔΕΙΓΜΑΤΑ ΕΓΚΑΤΑΣΤΑΣΗΣ ΤΩΝ ΑΓΩΓΩΝ ΑΠΑΓΩΓΗΣ ΚΑΙ ΤΑ ΣΧΕΤΙΚΑ ΕΠΙΤΡΕΠΤΑ ΜΗΚΗ, ΕΙΝΑΙ ΔΙΑΘΕΣΙΜΑ ΣΤΟ ΤΕΛΟΣ ΤΟΥ ΕΓΧΕΙΡΙΔΙΟΥ ΣΤΗΝ ΕΝΟΤΗΤΑ "SECTION" D.



10.1.1 ΤΥΠΟΛΟΓΙΑ ΑΠΑΓΩΓΗΣ C43P

Καπνοδόχος συλλογής με θετική πίεση για λέβητες με στεγανό θάλαμο



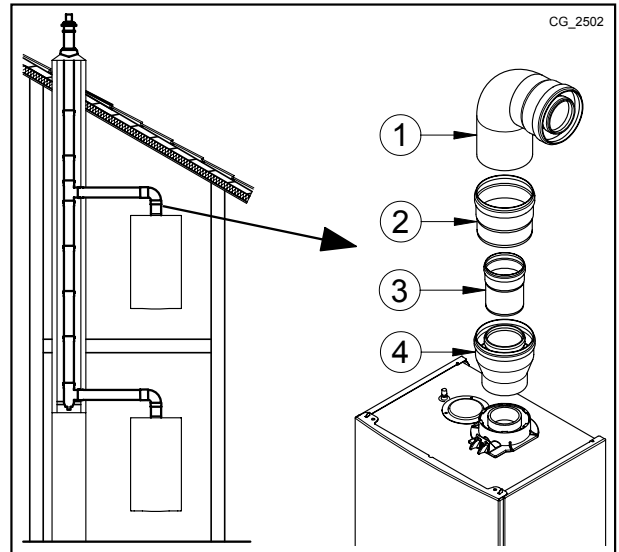
Αυτός ο τύπος εγκατάστασης μπορεί να χρησιμοποιηθεί μόνο με λέβητες που λειτουργούν με φυσικό αέριο (G20)

Για να συνδέσετε το λέβητα σε μια καπνοδόχο συλλογής C43P είναι υποχρεωτικό να προσθέσετε το ανεπίστροφο clapet. Η διαστασιολόγηση της καπνοδόχου πραγματοποιείται από τον προμηθευτή του ίδιου του αγωγού σύμφωνα με την προδιαγραφή EN 13384-2.

1	Καμπύλη 90° Ø 80/125 mm
2	Αγωγός Ø 80/125 mm
3	Ανεπίστροφο Clapet Ø 80 mm
4	Προσαρμογέας Ø 60/100 -> 80/125 mm

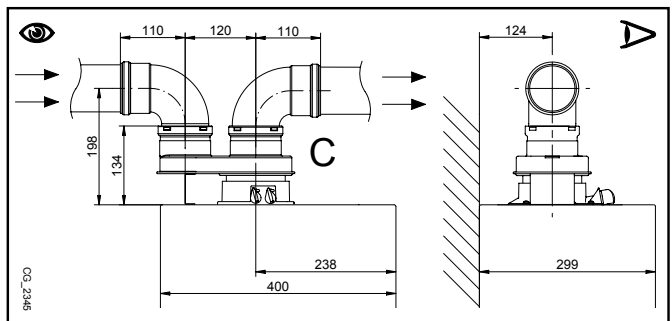
Για την εγκατάσταση αυτού του τύπου θα πρέπει να τροποποιήσετε τις παραμέτρους P71 και P72 της ηλεκτρονικής κάρτας όπως υποδεικνύεται στον πίνακα (βλέπε επίσης και τις οδηγίες SERVICE). Αφού τροποποιήσετε τις παραμέτρους, θα πρέπει να διενεργήσετε το καλιμπράρισμα του λέβητα, όπως περιγράφεται στο εγχειρίδιο SERVICE.

Μοντέλο	P72	P71
	Q _{min} - Πίεση στην καμινάδα 25 Pa	Q _{max} - Πίεση στην καμινάδα 86 Pa
MPX 24 - MPX 20/24 MI	85	130
MPX 24/28 MI	85	185
MPX 28/33 MI	85	180



10.2 ΧΩΡΙΣΤΟΙ ΑΓΩΓΟΙ

Για ειδικές εγκαταστάσεις των αγωγών απαγωγής/ απορρόφησης των καπνών, μπορείτε να χρησιμοποιείτε το ατομικό αξεσουάρ διαχωρισμού (C) που παρέχεται ως αξεσουάρ. Το αξεσουάρ αυτό, επιτρέπει τον προσανατολισμό της απαγωγής και της απορρόφησης σε οποιαδήποτε διεύθυνση χάρη στη δυνατότητα περιστροφής κατά 360°. Ο αγωγός αυτού του τύπου επιτρέπει την απαγωγή των καυσαερίων τόσο στο εξωτερικό του κτιρίου, όσο και σε ατομικές καπνοδόχους. Η απορρόφηση του καύσιμου αέρα μπορεί να γίνει σε ζώνες διαφορετικές σε σχέση με εκείνες της απαγωγής. Το kit διαχωρισμού είναι στερεωμένο στον πυργίσκο (100/60 mm) του λέβητα και επιτρέπει στον καύσιμο αέρα και στα καυσαέρια να εισέλθουν/εξέλθουν από δύο χωριστούς αγωγούς (80 mm). Για περισσότερες πληροφορίες διαβάστε τις οδηγίες συναρμολόγησης που συνοδεύουν το ίδιο το αξεσουάρ.



Η γωνία 90° επιτρέπει τη σύνδεση του λέβητα στους αγωγούς απαγωγής και αναρρόφησης με προσαρμογή στις διάφορες ανάγκες. Επιπλέον, μπορεί να χρησιμοποιηθεί ως εφεδρική γωνία σε συνδυασμό με ομοαξονικό αγωγό ή με γωνία 45°.

- Η εισαγωγή γωνίας 90° μειώνει το συνολικό μήκος του αγωγού κατά 0,5 μέτρο.
- Η εισαγωγή γωνίας 45° μειώνει το συνολικό μήκος του αγωγού κατά 0,25 μέτρο.
- Η πρώτη γωνία 90° δεν υπεισέρχεται στον υπολογισμό του μέγιστου διαθέσιμου μήκους.



ΟΡΙΣΜΕΝΑ ΠΑΡΑΔΕΙΓΜΑΤΑ ΕΓΚΑΤΑΣΤΑΣΗΣ ΤΩΝ ΑΓΩΓΩΝ ΑΠΑΓΩΓΗΣ ΚΑΙ ΤΑ ΣΧΕΤΙΚΑ ΕΠΙΤΡΕΠΤΑ ΜΗΚΗ, ΕΙΝΑΙ ΔΙΑΘΕΣΙΜΑ ΣΤΟ ΤΕΛΟΣ ΤΟΥ ΕΓΧΕΙΡΙΔΙΟΥ ΣΤΗΝ ΕΝΟΤΗΤΑ "SECTION" D.

11. ΗΛΕΚΤΡΙΚΕΣ ΣΥΝΔΕΣΕΙΣ

Η ηλεκτρική ασφάλεια της συσκευής επιτυγχάνεται μόνον όταν συνδεθεί σωστά σε αποτελεσματική εγκατάσταση γείωσης, σύμφωνα με τους ισχύοντες κανονισμούς ασφαλείας για τις εγκαταστάσεις. Ο λέβητας πρέπει να συνδεθεί ηλεκτρικά σε μονοφασικό δίκτυο τροφοδοσίας 230 V μονοφασικά + γείωση μέσω του παρεχόμενου τριπολικού καλωδίου τηρώντας την πολικότητα Γραμμή-Ουδέτερο.

Η σύνδεση πρέπει να γίνεται μέσω διπολικού διακόπτη με άνοιγμα επαφών τουλάχιστον 3 mm.

Σε περίπτωση αντικατάστασης του ηλεκτρικού καλωδίου πρέπει να χρησιμοποιηθεί εναρμονισμένο καλώδιο "HAR H05 VV-F" 3x0,75 mm² με μέγιστη διάμετρο 8 mm. Οι ασφάλειες ταχείας τήξεως των 2A είναι ενσωματωμένες στο κιβώτιο ακροδεκτών τροφοδοσίας (βγάλτε τη μαύρη ασφαλειοθήκη για τον έλεγχο ή/και την αντικατάσταση).

Στρέψτε προς τα κάτω το κιβώτιο χειριστηρίων και πηγαίστε στα κιβώτια ακροδεκτών **M1** και **M2** που προορίζονται για τις ηλεκτρικές συνδέσεις βγάζοντας το προστατευτικό καπάκι.



Ελέγξτε αν η ονομαστική συνολική απορρόφηση των αξεσουάρ συνδεδεμένων στη συσκευή είναι χαμηλότερη των 2A. Στην περίπτωση που είναι μεγαλύτερη θα πρέπει να παρεμβάλετε μεταξύ των αξεσουάρ και της ηλεκτρονικής κάρτας ένα ρελέ.



Η συστοιχία ακροδεκτών M1 είναι υπό υψηλή τάση. Πριν προβείτε στη σύνδεση βεβαιωθείτε ότι η συσκευή δεν τροφοδοτείται ηλεκτρικά.

ΣΥΣΤΟΙΧΙΑ ΑΚΡΟΔΕΚΤΩΝ M1

(L) = Γραμμή (καφέ)

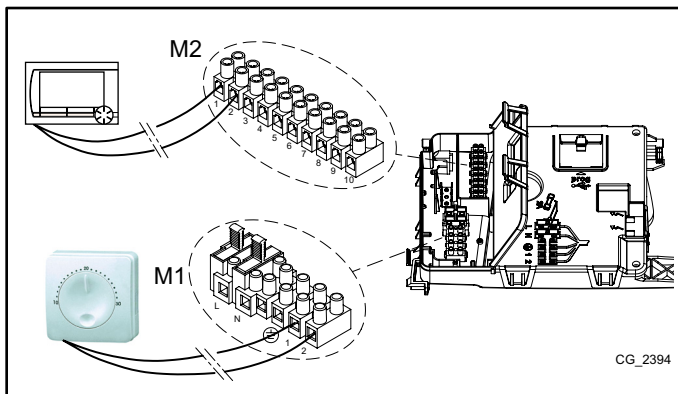
(N) = Ουδέτερο (γαλάζιο).

⊕ = Γείωση (κιτρινοπράσινο).

(1) (2) = επαφή για Θερμοστάτη Περιβάλλοντος.



Καθίσταται αναγκαίο να αποκαταστήσετε τη γέφυρα στους ακροδέκτες 1-2 του κιβωτίου ακροδεκτών M1 λέβητα στην περίπτωση που δεν χρησιμοποιείται ο θερμοστάτης δωματίου ή στην περίπτωση που δεν συνδέεται ο Εξ Αποστάσεως Χειρισμός παρεχόμενος ως αξεσουάρ.



ΚΙΒΩΤΙΟ ΑΚΡΟΔΕΚΤΩΝ M2

Ακροδέκτες 1 - 2: σύνδεση Εξ Αποστάσεως Χειριστηρίου (χαμηλή τάση) παρεχόμενου ως αξεσουάρ.

Ακροδέκτες 4 - 5 : σύνδεση Εξωτερικού Αισθητήρα (παρέχεται ως αξεσουάρ)

Ακροδέκτης 3-6-7-8: δεν χρησιμοποιείται.

Ακροδέκτες 9-10: σύνδεση του αισθητήρα του μπόιλερ ζεστού νερού οικιακής χρήσης.



Στην περίπτωση που η συσκευή συνδέεται σε επιδαπέδια εγκατάσταση θα πρέπει να προβλέπεται, από τον εγκαταστάτη, ένας θερμοστάτης προστασίας για την προστασία της εγκατάστασης από τις υπερβολικές θερμοκρασίες.



Για τη διέλευση των καλωδίων σύνδεσης των κιβωτίων ακροδεκτών, χρησιμοποιήστε τις σχετικές οπές "διέλευσης-στερέωσης καλωδίων" που υπάρχουν στη βάση του λέβητα.

11.1 ΣΥΝΔΕΣΗ ΘΕΡΜΟΣΤΑΤΗ ΔΩΜΑΤΙΟΥ



Οι υπάρχουσες συνδέσεις στη συστοιχία ακροδεκτών M1 είναι υπό υψηλή τάση (230 V). Πριν προβείτε στη σύνδεση βεβαιωθείτε ότι η συσκευή δεν τροφοδοτείται ηλεκτρικά. Τηρήστε την πολικότητα σε τροφοδοσία L(ΓΡΑΜΜΗ) - N(ΟΥΔΕΤΕΡΟ).

Για σύνδεση του Θερμοστάτη Δωματίου στο λέβητα, ενεργήστε όπως περιγράφεται στη συνέχεια:



- διακόψτε την ηλεκτρική τροφοδοσία στο λέβητα
- πηγαίστε στο κιβώτιο ακροδεκτών **M1**
- αφαιρέστε τη γέφυρα στα άκρα των επαφών **1-2** και συνδέστε τα καλώδια του Θερμοστάτη Δωματίου.
- τροφοδοτήστε ηλεκτρικά το λέβητα και βεβαιωθείτε αν ο Θερμοστάτης Δωματίου λειτουργεί σωστά.

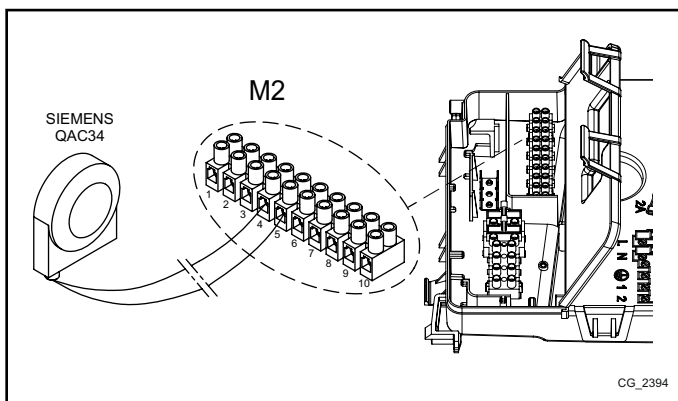
11.2 ΑΞΕΣΟΥΑΡ ΜΗ ΠΕΡΙΛΑΜΒΑΝΟΜΕΝΑ ΚΑΤΑ ΤΗΝ ΠΑΡΑΛΑΒΗ

11.2.1 ΣΥΝΔΕΣΗ ΤΟΥ ΕΞΩΤΕΡΙΚΟΥ ΑΙΣΘΗΤΗΡΑ



Για τη σύνδεση ενός τέτοιου αξεσουάρ, βλέπε τη διπλανή εικόνα (ακροδέκτες **4-5**) καθώς και τις οδηγίες που παρέχονται με τον ίδιο τον αισθητήρα.

ΡΥΘΜΙΣΗ ΤΗΣ ΚΛΙΜΑΤΙΚΗΣ ΚΑΜΠΥΛΗΣ "Κt"



Όταν ο εξωτερικός αισθητήρας συνδέεται στο λέβητα, η ηλεκτρονική κάρτα ρυθμίζει τη θερμοκρασία παροχής υπολογιζόμενη σε συνάρτηση του τεθέντος συντελεστή **Kt**. Επιλέξτε την επιθυμητή καμπύλη πατώντας τα κουμπιά   σύμφωνα με ό,τι αναφέρεται στο γράφημα της ενότητας **SECTION E** για να επιλέξετε την πλέον κατάλληλη (από 00 έως 90).



ΥΠΟΜΝΗΜΑ ΓΡΑΦΗΜΑΤΟΣ - "SECTION" E

	Θερμοκρασία παροχής		Θερμοκρασία εξωτερική
---	---------------------	---	-----------------------

11.2.2 ΕΞΩΤΕΡΙΚΟ ΜΠΟΙΛΕΡ




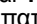


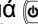
Ο λέβητας είναι ηλεκτρικά έτοιμος για τη σύνδεση ενός εξωτερικού μπόιλερ. Η υδραυλική σύνδεση του εξωτερικού μπόιλερ αναπαρίσταται στην εικόνα της ενότητας "SECTION" F. Συνδέστε τον αισθητήρα NTC προτεραιότητας νερού οικιακής χρήσης στους ακροδέκτες 9-10 της συστοιχίας ακροδεκτών M2. Το ευαίσθητο στοιχείο του αισθητήρα NTC πρέπει να εισαχθεί στη σχετική δεξαμενή που προβλέπεται στο ίδιο το μπόιλερ. Ελέγξτε αν η ισχύς εναλλαγής της σερπαντίνας του μπόιλερ είναι σωστή για την ισχύ του λέβητα. Η ρύθμιση της θερμοκρασίας του νερού οικιακής χρήσης (+35°C...+60°C) διενεργείται ενεργώντας στα κουμπιά  .





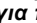

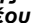

ΣΗΜΑΝΤΙΚΟ: θέστε την παράμετρο P03 = 05 όπως περιγράφεται στο κεφάλαιο 14.

12. ΕΙΔΙΚΕΣ ΛΕΙΤΟΥΡΓΙΕΣ

12.1 ΠΡΩΤΟ ΑΝΑΜΜΑ

Κατά το πρώτο άναμμα του λέβητα απαιτείται να ακολουθήσετε τη διαδικασία που περιγράφεται στη συνέχεια. Αφού τροφοδοτήσετε ηλεκτρικά το λέβητα στην οθόνη εμφανίζεται ο κωδικός "000", η συσκευή είναι έτοιμη για τη διαδικασία "πρώτου ανάμματος".


- Πατήστε μαζί για 6 δευτερόλεπτα τα κουμπιά   στην οθόνη εμφανίζεται η ένδειξη "On" για 2 δευτερόλεπτα ακολουθούμενη από τον κωδικό "312" υποδεικνύοντας ότι η λειτουργία "απαέρωση εγκατάστασης" έχει ενεργοποιηθεί. Η λειτουργία αυτή έχει διάρκεια 10 λεπτών.
- Στο τέλος της λειτουργίας ο λέβητας ανάβει. Θα εμφανιστεί 000, αλλοιώνοντας την τιμή % της ισχύος ανάφλεξης και την τιμή της θερμοκρασίας (°C) παροχής θέρμανσης. Στη φάση αυτή "λειτουργία αναγνώρισης αερίου", που διαρκεί περίπου 7 λεπτά, αναλύεται ο τύπος του χρησιμοποιούμενου αερίου. Κατά τη λειτουργία αυτή εξασφαλίστε τη μέγιστη θερμική ανταλλαγή στην εγκατάσταση θέρμανσης ή ζεστού νερού οικιακής χρήσης με σκοπό την αποφυγή σβησίματος του λέβητα λόγω υπερβολικής θερμοκρασίας.
- Σε περίπτωση που ο λέβητας τροφοδοτείται με φυσικό αέριο στην οθόνη εμφανίζεται NG για περίπου 10 δευτερόλεπτα. Τώρα ο λέβητας είναι έτοιμος για την κανονική λειτουργία. Αν η οθόνη εμφανίσει LPG, πατήστε μαζί τα κουμπιά  &  για τουλάχιστον 4 δευτερόλεπτα για να βγείτε χωρίς να αλλάξετε την εργοστασιακή ρύθμιση.
- Σε περίπτωση που ο λέβητας τροφοδοτείται με αέριο προπάνιο στην οθόνη εμφανίζεται LPG. Πατήστε για τουλάχιστον 6 δευτερόλεπτα το κουμπί  για επιβεβαίωση του πραγματικά χρησιμοποιούμενου αερίου. Αν η οθόνη εμφανίζει NG μη αναγνωρίζοντας το αέριο τροφοδοσίας, πατήστε μαζί τα κουμπιά  &  για τουλάχιστον 4 δευτερόλεπτα για να βγείτε από τη λειτουργία, κατόπιν τροποποιήστε την παράμετρο P02=01 όπως περιγράφεται στο κεφάλαιο "ΡΥΘΜΙΣΗ ΠΑΡΑΜΕΤΡΩΝ" του εγχειριδίου οδηγίων του λέβητα.

 *Αν η λειτουργία απαέρωσης ή αναγνώρισης αερίου διακοπεί λόγω απουσίας ηλεκτρικής τροφοδοσίας, με την επιστροφή της χρειάζεται να ενεργοποιήσετε πάλι τη λειτουργία μαζί τα κουμπιά   για τουλάχιστον 6 δευτερόλεπτα. Αν κατά τη λειτουργία Απαέρωσης η οθόνη εμφανίζει την ανωμαλία E118 (χαμηλή πίεση του υδραυλικού κυκλώματος), ενεργήστε στη στρόφιγγα τροφοδοσίας της συσκευής αποκαθιστώντας τη σωστή πίεση. Αν η λειτουργία αναγνώρισης αερίου διακοπεί εξ αιτίας ανωμαλίας (π.χ. E133 απουσία αερίου) πατήστε το κουμπί  για την επαναφορά (reset) και μετά πατήστε μαζί τα κουμπιά   (τουλάχιστον 6 δευτερόλεπτα) για την εκ νέου ενεργοποίηση της λειτουργίας. Αν η λειτουργία αναγνώρισης αερίου διακοπεί λόγω υπερβολικής θερμοκρασίας θα πρέπει να ενεργοποιήσετε εκ νέου τη λειτουργία πατώντας μαζί τα κουμπιά   για τουλάχιστον 6 δευτερόλεπτα.*

Η καύση της συσκευής αυτής ελέγχθηκε, βαθμονομήθηκε και ρυθμίστηκε εργοστασιακά για τη λειτουργία με ΦΥΣΙΚΟ αέριο.

Κατά τη λειτουργία Ελέγχου του Τύπου Αερίου, η αναλογία καύσης θα αυξάνει για σύντομη χρονική περίοδο ενώ θα καθορίζεται ο τύπος αερίου.





Σε φάση πρώτου ανάμματος, όσο δεν εκκενώνεται ο αέρας που περιέχεται στη σωλήνωση αερίου, μπορεί να διαπιστωθεί το μη άναμμα του καυστήρα και το μπλοκάρισμα του λέβητα. Στην περίπτωση αυτή, συστήνεται η επανάληψη των εργασιών ανάμματος μέχρι την άφιξη του αερίου στον καυστήρα. Για την αποκατάσταση της λειτουργίας του λέβητα, πατήστε το κουμπί  για τουλάχιστον 2 δευτερόλεπτα.



Τα πρώτα ανάμματα, αμέσως μετά την εγκατάσταση, μπορούν να μην είναι βέλτιστα διότι το σύστημα χρειάζεται χρόνο αυτοεκμάθησης.

12.2 ΛΕΙΤΟΥΡΓΙΑ ΑΠΑΕΡΩΣΗΣ ΕΓΚΑΤΑΣΤΑΣΗΣ

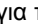



Η λειτουργία αυτή επιτρέπει τη διευκόλυνση της αποβολής του αέρα από το εσωτερικό του κυκλώματος θέρμανσης όταν εγκαθίσταται ο λέβητας σε παροχή ή μετά από συντήρηση με άδειασμα του νερού του πρωτεύοντος κυκλώματος.

Για την ενεργοποίηση της λειτουργίας απαέρωσης εγκατάστασης πατήστε ταυτόχρονα τα κουμπιά   για 6 δευτερόλεπτα. Όταν η λειτουργία είναι ενεργή στην οθόνη εμφανίζεται η ένδειξη On για μερικά δευτερόλεπτα, ακολουθεί η γραμμή προγράμματος 312.

Η ηλεκτρονική κάρτα θα ενεργοποιήσει έναν κύκλο ανάμματος/σβησίματος της αντλίας, διάρκειας 10 λεπτών. Η λειτουργία σταματάει αυτόματα στο τέλος του κύκλου. Για να βγείτε χειροκίνητα από τη λειτουργία αυτή, πατήστε ακόμη μια φορά ταυτόχρονα τα ανωτέρω κουμπιά για 6 δευτερόλεπτα.

12.3 ΛΕΙΤΟΥΡΓΙΑ ΚΑΘΑΡΙΣΜΟΥ ΚΑΠΝΟΔΟΧΟΥ

Η λειτουργία αυτή οδηγεί το λέβητα στη μέγιστη ισχύ σε θέρμανση. Μετά την ενεργοποίηση μπορείτε να ρυθμίσετε το επίπεδο % ισχύος του λέβητα από την ελάχιστη στη μέγιστη ισχύ σε ζεστό νερό οικιακής χρήσης. Η διαδικασία είναι η ακόλουθη:

- Πιέστε ταυτόχρονα τα κουμπιά   για τουλάχιστον 6 δευτερόλεπτα. Όταν η λειτουργία είναι ενεργή η οθόνη εμφανίζει για μερικά δευτερόλεπτα την ένδειξη "On" στη συνέχεια εμφανίζεται η γραμμή προγράμματος "303" εναλλασσόμενη στην τιμή % ισχύος του λέβητα.
- Ενεργήστε στα κουμπιά   για τη διενέργεια μιας βαθμιαίας ρύθμισης της ισχύος (ευαισθησία 1%).
- Για να βγείτε πατήστε ταυτόχρονα για τουλάχιστον 6 δευτερόλεπτα τα κουμπιά όπως περιγράφεται στο πρώτο σημείο.



Πατώντας το κουμπί  μπορείτε να εμφανίσετε για 15 δευτερόλεπτα τη στιγμιαία τιμή των θερμοκρασιών παροχής.

12.4 ΕΛΕΓΧΟΣ ΚΑΥΣΕΩΝ (CO₂)

Για τη σωστή λειτουργία του λέβητα η περιεκτικότητα (CO₂-O₂) στην καύση θα πρέπει να πληροί το πεδίο ανοχής στον πίνακα που ακολουθεί. Αν η τιμή (CO₂-O₂) που διαπιστώνεται είναι διαφορετική, ελέγξτε την ακεραιότητα και τις αποστάσεις των ηλεκτροδίων. Σε περίπτωση ανάγκης αντικαταστήστε τα ηλεκτρόδια τοποθετώντας τα σωστά. Αν το πρόβλημα δεν επιλύεται μπορείτε να χρησιμοποιήσετε τη λειτουργία που περιγράφεται στη συνέχεια.

		G20		G31	
		CO ₂ %	O ₂ %	CO ₂ %	O ₂ %
Μέγιστη ισχύς	Ονομαστική τιμή	8,7	5,4	10,0	6,0
	Επιτρεπτή τιμή	8,2 - 9,3	6,3 - 4,3	9,5 - 10,5	6,8 - 5,2
Ισχύς ανάμματος	Ονομαστική τιμή	8,7	5,4	10,8	4,8
	Επιτρεπτή τιμή	8,2 - 9,3	6,3 - 4,3	10,3 - 11,3	5,5 - 4,1
Ελάχιστη ισχύς	Ονομαστική τιμή	8,8	5,2	10,0	6,0
	Επιτρεπτή τιμή	8,2 - 9,3	6,3 - 4,3	9,5 - 10,5	6,8 - 5,2



Η μέτρηση των καύσεων θα πρέπει να γίνει χρησιμοποιώντας έναν κατάλληλα βαθμονομημένο αναλυτή.



Κατά την κανονική λειτουργία ο λέβητας εκτελεί κύκλους αυτοελέγχου της καύσης. Στη φάση αυτή μπορεί να καταγραφούν, για σύντομες περιόδους, τιμές CO μεγαλύτερες και των 1000 ppm.

ΒΑΘΜΟΝΟΜΗΣΗ ΚΑΥΣΗΣ (CO₂ %)

Η λειτουργία αυτή έχει ως σκοπό τη διενέργεια της επί μέρους ρύθμισης της τιμής CO₂ %. Η διαδικασία είναι η ακόλουθη:

- Πιέστε ταυτόχρονα τα κουμπιά για τουλάχιστον 6 δευτερόλεπτα. Όταν η λειτουργία είναι ενεργή η οθόνη εμφανίζει για μερικά δευτερόλεπτα την ένδειξη "On" στη συνέχεια εμφανίζεται η γραμμή προγράμματος "304" εναλλασσόμενη στην τιμή % ισχύος του λέβητα.
- Μετά το άναμμα του καυστήρα ο λέβητας έρχεται στη μέγιστη ισχύ ζεστού νερού οικιακής χρήσης (100). Όταν η οθόνη εμφανίζει "100" μπορείτε να διενεργείτε μερική διόρθωση της τιμής CO₂ %.
- πατήστε το κουμπί η οθόνη εμφανίζει "00" εναλλασσόμενο με τον αριθμό της λειτουργίας "304" (το σύμβολο αναβοσβήνει)
- ενεργήστε στα κουμπιά για να χαμηλώσετε ή να αυξήσετε την περιεκτικότητα CO₂ (από -3 σε +3). Αυτό το πεδίο ανοχής είναι ενδεικτικά = 1%.
- πατήστε το κουμπί για την αποθήκευση της νέας τιμής και επιστρέψτε στην εμφάνιση της τιμής ισχύος "100" (ο λέβητας συνεχίζει να λειτουργεί στη μέγιστη ισχύ σε ζεστό νερό οικιακής χρήσης).

Η διαδικασία αυτή μπορεί επίσης να χρησιμοποιηθεί και για τη ρύθμιση της περιεκτικότητας CO₂ στην **ισχύ ανάμματος** και στην **ελάχιστη ισχύ** ενεργώντας στα κουμπιά μετά το σημείο 5 της διαδικασίας που μόλις περιγράφηκε.

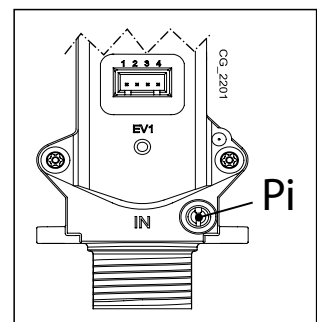
- Αφού αποθηκεύτηκε η νέα τιμή (σημείο 5 της διαδικασίας), πατήστε το κουμπί για να φέρετε το λέβητα στην **ισχύ ανάμματος**. Περιμένετε ώστε η τιμή CO₂ να είναι σταθερή, κατόπιν προχωρήστε στη ρύθμιση όπως περιγράφεται στο σημείο 4 της διαδικασίας (η τιμή ισχύος είναι ένας αριθμός <= 100 και >= 0) κατόπιν αποθηκεύστε (σημείο 5).
- πατήστε εκ νέου το κουμπί για να φέρετε το λέβητα στην **ελάχιστη ισχύ**. Περιμένετε ώστε η τιμή CO₂ να είναι σταθερή, κατόπιν προχωρήστε στη ρύθμιση όπως περιγράφεται στο σημείο 4 της διαδικασίας (η τιμή ισχύος = 00).
- Για να βγείτε από τη λειτουργία πατήστε για τουλάχιστον 6 δευτερόλεπτα τα κουμπιά όπως περιγράφεται στο σημείο 1.

13. ΒΑΛΒΙΔΑ ΑΕΡΙΟΥ

Στη συσκευή αυτή δεν απαιτείται η διενέργεια καμίας μηχανικής ρύθμισης στη βαλβίδα. Το σύστημα αυτοπροσαρμόζεται ηλεκτρονικά.

Υπόμνημα βαλβίδας αερίου

Pi
Υποδοχή πίεσης τροφοδοσίας αερίου



13.1 ΤΡΟΠΟΣ ΑΛΛΑΓΗΣ ΑΕΡΙΟΥ



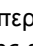

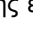

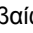


Μόνο μια εξουσιοδοτημένη Υπηρεσία Τεχνικής Υποστήριξης μπορεί να προσαρμόσει το λέβητα στη λειτουργία από αέριο **ΦΥΣΙΚΟ** σε **GPL** ή αντίστροφα. Για τη διενέργεια της βαθμονόμησης θα πρέπει να τεθεί η παράμετρος **P02** όπως περιγράφεται στο κεφάλαιο ΡΥΘΜΙΣΗ ΠΑΡΑΜΕΤΡΩΝ. Τέλος, θα πρέπει να ελεγχθούν οι καύσεις όπως περιγράφεται στο κεφάλαιο ΕΙΔΙΚΕΣ ΛΕΙΤΟΥΡΓΙΕΣ - ΕΛΕΓΧΟΣ ΚΑΥΣΕΩΝ.



Στο τέλος της διεργασίας αλλαγής αερίου συστήνεται να επισημάνετε στην ταμπελίτσα μητρώου τον χρησιμοποιούμενο τύπο αερίου.

14. ΡΥΘΜΙΣΗ ΠΑΡΑΜΕΤΡΩΝ

Για τον προγραμματισμό των παραμέτρων της ηλεκτρονικής κάρτας του λέβητα, ενεργήστε με τον ακόλουθο τρόπο:

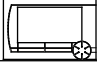
- Πατήστε ταυτόχρονα τα κουμπιά   και κρατήστε τα πατημένα για 6 δευτερόλεπτα μέχρις ότου στην οθόνη εμφανιστεί η γραμμή προγράμματος "P01" εναλλασσόμενη στην τεθείσα τιμή.
- Πιέστε τα κουμπιά   για να περιηγηθείτε στη λίστα των παραμέτρων
- Πατήστε το κουμπί , η τιμή της επιλεγμένης παραμέτρου αρχίζει να αναβοσβήνει, ενεργήστε στα κουμπιά   για να τροποποιήσετε την τιμή.
- Πατήστε το κουμπί  για την επιβεβαίωση της τιμής ή πατήστε το κουμπί  για να βγείτε χωρίς αποθήκευση.



Περαιτέρω πληροφορίες σχετικά με τις αναφερόμενες παραμέτρους στον πίνακα που ακολουθεί παρέχονται με τα ζητούμενα αξεσουάρ.



Σε περίπτωση τοποθέτησης με επιδαπέδια εγκατάσταση, θέστε την παράμετρο P16 (Λεβητα) ή P15 (Αποστάσ. έλεγχ.) = 01.

Λεβητα	Αποστάσ. έλεγχ.* 	ΠΕΡΙΓΡΑΦΗ ΠΑΡΑΜΕΤΡΩΝ	ΕΡΓΟΣΤΑΣΙΑΚΕΣ ΡΥΘΜΙΣΕΙΣ			
			24	20/24 MI	24/28 MI	28/33 MI
P01	P00	Πληροφορίες παραγωγού	01			
P02	P01	Τύπος χρησιμοποιούμενου αερίου 00 = ΜΕΘΑΝΙΟ - 01 = GPL	00			
P03	P02	Υδραυλικό σύστημα 00 = στιγμιαία συσκευή 03 = στιγμιαία συσκευή με λειτουργία προθέρμανσης 05 = συσκευή με εξωτερικό μπόιλερ 08 = συσκευή μόνο θέρμανσης	08	00	00	00
P04	P03	Ρύθμιση προγραμματιζόμενου ρελέ 1 (Βλέπε οδηγίες ΣΕΡΒΙΣ)	02			
P05	P04	Ρύθμιση προγραμματιζόμενου ρελέ 2 (Βλέπε οδηγίες ΣΕΡΒΙΣ)	04			
P06	P05	Διαμόρφωση εισόδου εξωτερικού αισθητήρα (Βλέπε οδηγίες SERVICE)	00			
P07..P09	P06..P08	Πληροφορίες παραγωγού	--			
P10	P09	Καταχώρηση setpoint θερμοκρασίας θέρμανσης (Εξ Αποστάσεως Έλεγχος - Open Therm / Θερμοστάτης Περιβάλλοντος 230V~) 00 = το setpoint θερμοκρασίας είναι εκείνο που καταχωρήθηκε στον Εξ Αποστάσεως Έλεγχος 01 = το setpoint θερμοκρασίας είναι το υψηλότερο μεταξύ του Εξ Αποστάσεως Ελέγχου και του PCB 02 = το setpoint θερμοκρασίας είναι εκείνο που καταχωρήθηκε στον Εξ Αποστάσεως Έλεγχος. Ο Θερμοστάτης Περιβάλλοντος ενεργοποιεί/ απενεργοποιεί τη λειτουργία του λέβητα	00			
P11..P12	P10..P11	Πληροφορίες παραγωγού	--			
P13	P12	Μέγιστη ισχύς σε θέρμανση (0-100%)	100	80	86	80
P14	P13	Μέγιστη ισχύς σε ζεστό νερό οικιακής χρήσης (0-100%)	100			
P15	P14	Ελάχιστη ισχύς σε θέρμανση (0-100%)	00			
P16	P15	Ρύθμιση μέγιστου setpoint (°C) θέρμανσης 00 = 85°C - 01 = 45°C	00			
P17	P16	Χρόνος μετα-κυκλοφορίας αντλίας σε θέρμανση (01-240 λεπτά)	03			
P18	P17	Χρόνος αναμονής σε θέρμανση πριν μια νέα ανάφλεξη (00-10 λεπτά) - 00=10 δευτερόλεπτα	03			
P19	P18	Πληροφορίες παραγωγού	07			
P20	P19	Χρόνος μετα-κυκλοφορίας αντλίας σε ζεστό νερό οικιακής χρήσης (δευτερόλεπτα)	30			
P21	P20	Λειτουργία αντι-λεγιονέλας (°C) 00...54 = Ανενεργή - 55...67 = Ενεργή (θέστε την επιθυμητή τιμή θερμοκρασίας)	00			
P22	P21**	Πληροφορίες παραγωγού	00			
P23	P22	Μέγιστη θερμοκρασία setpoint ζεστού νερού οικιακής χρήσης (ACS)	60			
P24	P23	Πληροφορίες παραγωγού	35			
P25	P24	Προστατευτική διάταξη έλλειψης νερού	00			
P26..P31	P25..P30	Πληροφορίες παραγωγού	--			
P32..P41	P31..P40	Διαγνωστική (Βλέπε οδηγίες ΣΕΡΒΙΣ)	--			
P67	P66	Ρύθμιση Open Therm (OT) (Βλέπε Οδηγίες ΣΕΡΒΙΣ) 02 = Open Therm Standard	02			

* Ο εξ αποστάσεως έλεγχος αυξομείωσης πρέπει να έχει τουλάχιστον την έκδοση 2.8

** Δεν είναι δυνατή η πρόσβαση στις ρυθμίσεις εγκαταστάτη διαμέσου του εξ αποστάσεως ελέγχου αυξομείωσης

14.1 ΡΥΘΜΙΣΗ ΜΕΓΙΣΤΗΣ ΙΣΧΥΟΣ ΘΕΡΜΑΝΣΗΣ

Μπορείτε να μειώσετε τη μέγιστη ισχύος θέρμανσης του λέβητα ανάλογα με τις ανάγκες της εγκατάστασης θέρμανσης που χρησιμοποιείται. Στη συνέχεια παρατίθεται ο πίνακας με τις τιμές της παραμέτρου **P13** ανάλογα με τη μέγιστη επιθυμητή τιμή για κάθε μοντέλο λέβητα.

Για πρόσβαση και τροποποίηση της τιμής της παραμέτρου **P13** προχωρήστε όπως περιγράφεται στο κεφάλαιο ΡΥΘΜΙΣΗ ΠΑΡΑΜΕΤΡΩΝ.

Μοντέλο λέβητα - ΠΑΡΑΜΕΤΡΟΥ P13 (%) / Ισχύς θέρμανσης (kW)

kW	24	20/24 MI	24/28 MI	28/33 MI
3,5	0	0		
4	2	2	0	
5	7	7	4	0
6	12	12	8	4
7	17	17	13	7
8	22	22	17	11
9	27	27	21	14
10	32	32	25	18
12	41	41	33	25
14	51	51	42	32
16	61	61	50	39
18	71	71	58	46
20	80	80	67	54
22	90		75	61
24	100		86	68
26				75
28				80

15. ΕΝΤΟΠΙΣΜΟΣ ΚΑΙ ΕΠΙΛΥΣΗ ΤΩΝ ΑΝΩΜΑΛΙΩΝ ΣΤΟ SERVICE

Τα σφάλματα που εμφανίζονται στην οθόνη αναγνωρίζονται από το σύμβολο **E** και από έναν αριθμό (κωδικός βλάβης). Για την πλήρη λίστα των βλαβών βλέπε τον ακόλουθο πίνακα.

Αν στην οθόνη εμφανιστεί το σύμβολο **R** το σφάλμα απαιτεί RESET από τον χρήστη.

Για να κάνετε RESET στο λέβητα, πιέστε για τουλάχιστον 2 δευτερόλεπτα το κουμπί **⊕/R**. Σε περίπτωση επέμβασης συχνών απεικονίσεων σφαλμάτων, καλέστε το εξουσιοδοτημένο Κέντρο Τεχνικής Υποστήριξης.

E	Περιγραφή ανωμαλίας	Επεμβαση Service
09	Σφάλμα σύνδεσης βαλβίδας αερίου	Ελέγξτε τις συνδέσεις της βαλβίδας αερίου με την ηλεκτρονική κάρτα.
10	Εξωτερικός αισθητήρας χαλασμένος	Ελέγξτε τον αισθητήρα (*).
12	Μη μεταλλαγή πρεσοστάτη διαφορικού υδραυλικού	Ελέγξτε τη σωστή λειτουργία του πρεσοστάτη και την καλωδίωση.
13	Επαφές κολημμένες πρεσοστάτη διαφορικού υδραυλικού	Δείτε επεμβάσεις στο E12.
15	Σφάλμα εντολής βαλβίδας αερίου	Ελέγξτε τις συνδέσεις της βαλβίδας αερίου με την ηλεκτρονική κάρτα. Αν χρειαστεί, αντικαταστήστε την ηλεκτρονική κάρτα.
18	Αυτόματη πλήρωση υδραυλικού κυκλώματος σε εξέλιξη	Περιμένετε το τέλος του κύκλου πλήρωσης.
19	Ανωμαλία στη φάση πλήρωσης συστήματος	Ελέγξτε τη στρόφιγγα πλήρωσης.
20	Αισθητήρας NTC παροχής χαλασμένος	Ελέγξτε τον αισθητήρα (**). Ελέγξτε τη συνέχεια της καλωδίωσης αισθητήρα. Ελέγξτε αν η καλωδίωση δεν είναι σε βραχυκύκλωμα.
28	Αισθητήρας NTC καυσαερίων χαλασμένος	Ελέγξτε τον αισθητήρα NTC καπνών (***). Ελέγξτε τη συνέχεια της καλωδίωσης αισθητήρα. Ελέγξτε αν η καλωδίωση δεν είναι σε βραχυκύκλωμα.
40	Αισθητήρας NTC επιστροφής χαλασμένος	Δείτε επεμβάσεις στο E20.
50	Αισθητήρας NTC ζεστού νερού οικιακής χρήσης χαλασμένος (μόνο για μοντέλο μόνο θέρμανσης με μπόιλερ)	Δείτε επεμβάσεις στο E20.
53	Αγωγός καπνών εμφραγμένος	Ελέγξτε αν ο σωλήνας αποστράγγισης δεν είναι εμφραγμένος. Διακόψτε την ηλεκτρική τροφοδοσία στο λέβητα για μερικά δευτερόλεπτα.
55	Ηλεκτρονική κάρτα μη βαθμονομημένη	Ενεργοποιήστε τη λειτουργία αυτόματης βαθμονόμησης που περιγράφεται στο φύλλο οδηγιών ανταλλακτικών.
83...87	Πρόβλημα επικοινωνίας μεταξύ κάρτας λέβητα και μονάδας χειρισμού. Πιθανό βραχυκύκλωμα στην καλωδίωση.	Ελέγξτε τις καλωδιώσεις μεταξύ της Μονάδας Δωματίου και της ηλεκτρονικής κάρτας ή του link RF.
92	Ανωμαλία καπνών κατά τη φάση βαθμονόμησης (πιθανή ανακυκλοφορία καπνών)	Ελέγξτε ενδεχόμενες ανακυκλοφορίες των καπνών. Ενεργοποιήστε τη λειτουργία αυτόματης βαθμονόμησης στην παράγραφο ΕΤΗΣΙΑ ΣΥΝΤΗΡΗΣΗ – ΑΝΤΙΚΑΤΑΣΤΑΣΗ ΤΩΝ ΜΕΡΩΝ.

109	Παρουσία αέρα στο κύκλωμα λέβητα (προσωρινή ανωμαλία)	Ελέγξτε τη λειτουργία της αντλίας. Ελέγξτε την καλωδίωση τροφοδοσίας της αντλίας.	
110	Επέμβαση θερμοστάτη ασφαλείας λόγω υπερβολικής θερμοκρασίας (αντλία πιθανώς μπλοκαρισμένη ή αέρας στο κύκλωμα θέρμανσης).	Ελέγξτε τη λειτουργία της αντλίας. Ελέγξτε την καλωδίωση τροφοδοσίας της αντλίας Ελέγξτε την ακεραιότητα του θερμοστάτη και ενδεχομένως αντικαταστήστε τον Ελέγξτε τη συνέχεια της καλωδίωσης του θερμοστάτη ορίου	
117	Πίεση υδραυλικού κυκλώματος πολύ υψηλή (> 2,7 bar)	Ελέγξτε αν η πίεση της εγκατάστασης είναι η προκαθορισμένη. Βλέπε παράγραφο ΠΛΗΡΩΣΗΣ ΣΥΣΤΗΜΑΤΟΣ.	
118	Πίεση υδραυλικού κυκλώματος πολύ χαμηλή	Αν η πίεση του κυκλώματος CH είναι <0,5 bar διενεργήστε την πλήρωση (βλέπε παράγραφο ΠΛΗΡΩΣΗΣ ΕΓΚΑΤΑΣΤΑΣΗΣ). Ελέγξτε τη σωστή λειτουργία του υδραυλικού πρεσοστάτη	
125	Επέμβαση ασφαλείας λόγω έλλειψης κυκλοφορίας. (έλεγχος διενεργηθείς μέσω αισθητήρα θερμοκρασίας)	Δείτε επεμβάσεις στο E109	
128	Απώλεια φλόγας	Ελέγξτε την ακεραιότητα του ηλεκτροδίου ανάχνευσης και τη θέση του (βλέπε παράγραφο ΕΤΗΣΙΑ ΣΥΝΤΗΡΗΣΗ - ΤΟΠΟΘΕΤΗΣΗ ΗΛΕΚΤΡΟΔΙΩΝ). Ελέγξτε τη συνέχεια του καλωδίου και την καλή επαφή με το ηλεκτρόδιο ανάχνευσης και με τον αναφλέκτη. Δείτε επεμβάσεις στο E92	
129	Απώλεια φλόγας σε άναμμα	Ελέγξτε την ακεραιότητα του ηλεκτροδίου ανάχνευσης και τη θέση του (βλέπε παράγραφο ΕΤΗΣΙΑ ΣΥΝΤΗΡΗΣΗ - ΤΟΠΟΘΕΤΗΣΗ ΗΛΕΚΤΡΟΔΙΩΝ). Ελέγξτε τη συνέχεια του καλωδίου και την καλή επαφή με το ηλεκτρόδιο ανάχνευσης και με τον αναφλέκτη. Ελέγξτε ενδεχόμενες ανακυκλοφορίες των καπνών.	
130	Επέμβαση αισθητήρα NTC καυσαερίων λόγω υπερβολικής θερμοκρασίας	Ελέγξτε τη θερμική ανταλλαγή του εναλλάκτη νερού/καπνών: ενδεχόμενη λειψή κυκλοφορία ή παρουσία ασβεστούχου ιζήματος. Ελέγξτε τον αισθητήρα NTC καπνών (**).	
133	Μη ανάφλεξη (5 προσπάθειες)	Ελέγξτε αν η βαλβίδα ανάσχεσης του αερίου είναι ανοιχτή και αν υπάρχει αέρας στο κύκλωμα τροφοδοσίας αερίου. Ελέγξτε την πίεση τροφοδοσίας αερίου. Ελέγξτε τη συνέχεια του καλωδίου και την καλή επαφή με το ηλεκτρόδιο ανάχνευσης και με τον αναφλέκτη. Δείτε επεμβάσεις στο E92 Βεβαιωθείτε για τη σωστή λειτουργία της εκκένωσης συμπτκνώματος.	
134	Βαλβίδα αερίου μπλοκαρισμένη	Ελέγξτε την πίεση τροφοδοσίας αερίου. Ελέγξτε την ακεραιότητα και τη θέση των ηλεκτροδίων ανάχνευσης και ανάμματος και τις σχετικές καλωδιώσεις (βλέπε παράγραφο ΕΤΗΣΙΑ ΣΥΝΤΗΡΗΣΗ - ΤΟΠΟΘΕΤΗΣΗ ΗΛΕΚΤΡΟΔΙΩΝ). Αν χρειαστεί, αντικαταστήστε την ηλεκτρονική κάρτα.	
135	Εσωτερικό σφάλμα κάρτας	Αντικαταστήστε την ηλεκτρονική κάρτα.	
154	Δοκιμή ελέγχου αισθητήρα παροχής/επιστροφής	Δείτε επεμβάσεις στο E109	
160	Ανωμαλία λειτουργίας ανεμιστήρα	Βεβαιωθείτε για τη σωστή λειτουργία του ανεμιστήρα. Ελέγξτε αν η καλωδίωση τροφοδοσίας του ανεμιστήρα είναι συνδεδεμένος στην ηλεκτρονική κάρτα.	
178	Επέμβαση θερμοστάτη ασφαλείας λόγω υπερβολικής θερμοκρασίας σε σύστημα χαμηλής θερμοκρασίας.	Βεβαιωθείτε για τη σωστή λειτουργία της αντλίας και την κυκλοφορία νερού στο σύστημα χαμηλής θερμοκρασίας. Ελέγξτε την καλωδίωση τροφοδοσίας της αντλίας.	
317	162	Συχνότητα ηλεκτρικής τροφοδοσίας εσφαλμένη	Ελέγξτε αν η συχνότητα εσφαλμένης ηλεκτρικής τροφοδοσίας οφείλεται σε αίτια εξωτερικά του λέβητα, σε μια τέτοια περίπτωση επικοινωνήστε με τον παροχέα ηλεκτρικής ενέργειας.
321	163	Αισθητήρας NTC ζεστού νερού οικιακής χρήσης χαλασμένος	Δείτε επεμβάσεις στο E20.
384	164	Παρασιτική φλόγα (εσωτερική ανωμαλία)	Ελέγξτε τη σωστή λειτουργία της βαλβίδας αερίου.
385	165	Τάση τροφοδοσίας πολύ χαμηλή	Τάση τροφοδοσίας V<175V. Ελέγξτε αν οι πτώσεις τροφοδοσίας οφείλονται σε αίτια εξωτερικά του λέβητα, σε μια τέτοια περίπτωση επικοινωνήστε με τον παροχέα ηλεκτρικής ενέργειας.

CH = κύκλωμα θέρμανσης.

(*) Αισθητήρας εξωτερικός: τιμή αντίστασης εν ψυχρώ περίπου 1 kΩ @ 25°C (η αντίσταση μειώνεται με την αύξηση της θερμοκρασίας).

(**) Αισθητήρας NTC παροχής, επιστροφής και νερού οικιακής χρήσης: τιμή αντίστασης εν ψυχρώ περίπου 10 kΩ @ 25°C (η αντίσταση μειώνεται με την αύξηση της θερμοκρασίας).

(***) Αισθητήρας NTC καπνών: τιμή αντίστασης εν ψυχρώ περίπου 20 kΩ @ 25°C (η αντίσταση μειώνεται με την αύξηση της θερμοκρασίας).



Σε περίπτωση ανωμαλίας ο οπίσθιος φωτισμός της οθόνης ανάβει εμφανίζοντας τον κωδικό σφάλματος. Μπορείτε να κάνετε 5 διαδοχικές προσπάθειες επανοπλισμού μετά τις οποίες ο λέβητας παραμένει μπλοκαρισμένος. Για τη διενέργεια μιας νέας προσπάθειας επανοπλισμού, θα πρέπει να περιμένετε 15 λεπτά.

16. ΔΙΑΤΑΞΕΙΣ ΡΥΘΜΙΣΗΣ ΚΑΙ ΑΣΦΑΛΕΙΑΣ

Ο λέβητας κατασκευάζεται για να ικανοποιεί όλες τις προδιαγραφές των ευρωπαϊκών προτύπων αναφοράς, ειδικότερα διαθέτει:

- **Θερμοστάτης ασφαλείας**

Το σύστημα αυτό, ο αισθητήρας του οποίου βρίσκεται στην κατάθλιψη της θέρμανσης, διακόπτει τη ροή του αερίου στον καυστήρα σε περίπτωση υπερθέρμανσης του νερού στο πρωτεύον κύκλωμα.

 Απαγορεύεται να θέτετε εκτός λειτουργίας αυτή τη διάταξη ασφαλείας

- **Αισθητήρας NTC καπνών**

Η διάταξη αυτή είναι τοποθετημένη στον εναλλάκτη νερού – καυσαερίων. Η ηλεκτρονική κάρτα μπλοκάρει την εισροή αερίου στον καυστήρα σε περίπτωση υψηλής θερμοκρασίας.

 Απαγορεύεται να θέτετε εκτός λειτουργίας αυτή τη διάταξη ασφαλείας

- **Ανιχνευτής ιονισμού φλόγας**

Το ηλεκτρόδιο ανίχνευσης εγγυάται την ασφάλεια σε περίπτωση απουσίας αερίου ή ατελούς εσωτερικής ανάφλεξης του κύριου καυστήρα. Στις συνθήκες αυτές ο λέβητας τίθεται σε κατάσταση εμπλοκής.

- **Υδραυλικός πιεζοστάτης**

Το σύστημα αυτό επιτρέπει το άναμμα του κύριου καυστήρα μόνον εάν η πίεση της εγκατάστασης είναι μεγαλύτερη των 0,5 bar.

- **Μετακυκλοφορία αντλίας**

Η μετακυκλοφορία της αντλίας, που επιτυγχάνεται ηλεκτρονικά, έχει διάρκεια 3 λεπτών και ενεργοποιείται, στη λειτουργία θέρμανσης, μετά το σβήσιμο του κύριου καυστήρα λόγω της επέμβασης του θερμοστάτη δωματίου.

- **Αντιπαγωτική προστασία**

Η ηλεκτρονική διαχείριση του λέβητα είναι εφοδιασμένη με “αντιπαγωτική” προστασία στη λειτουργία θέρμανσης και ζεστού νερού οικιακής χρήσης ώστε με θερμοκρασία μικρότερη των 5 °C να τίθεται σε λειτουργία ο καυστήρας μέχρι η θερμοκρασία να φθάσει τους 30 °C. Αυτή η λειτουργία είναι ενεργή εάν ο λέβητας τροφοδοτείται ηλεκτρικά, εάν υπάρχει αέριο και εάν η πίεση της εγκατάστασης είναι η προκαθορισμένη.

- **Λειτουργία αντιμπλοκαρίσματος αντλίας**

Σε περίπτωση που δεν υπάρχει αίτημα θερμότητας, σε λειτουργία θέρμανσης ή/και ζεστού νερού οικιακής χρήσης, για χρονικό διάστημα 24 συνεχών ωρών, η αντλία τίθεται αυτόματα σε λειτουργία για 10 δευτερόλεπτα.

- **Αντιμπλοκάρισμα τρίοδης βαλβίδας**

Σε περίπτωση που δεν υπάρχει αίτημα θερμότητας σε θέρμανση για χρονικό διάστημα 24 ωρών, η τρίοδη αντλία διενεργεί μια πλήρη μεταβολή.

- **Υδραυλική βαλβίδα ασφαλείας (κυκλώματος θέρμανσης)**

Η διάταξη αυτή, βαθμονομημένη σε 3 bar, εξυπηρετεί το κύκλωμα θέρμανσης. Συστήνεται να συνδέετε τη βαλβίδα ασφαλείας σε απαγωγό με σιφώνιο. Απαγορεύεται η χρήση της ως μέσου αποστράγγισης του κυκλώματος θέρμανσης.

- **Προκυκλοφορία της αντλίας θέρμανσης**

Σε περίπτωση αιτήματος λειτουργίας σε θέρμανση, η συσκευή μπορεί να διενεργεί μια προκυκλοφορία της αντλίας πριν το άναμμα του καυστήρα. Η διάρκεια της προκυκλοφορίας αυτής εξαρτάται από τη θερμοκρασία λειτουργίας και από τις συνθήκες εγκατάστασης και ποικίλει από λίγα δευτερόλεπτα έως μερικά λεπτά.

17. ΧΑΡΑΚΤΗΡΙΣΤΙΚΑ ΠΑΡΟΧΗΣ /ΜΑΝΟΜΕΤΡΙΚΟΥ ΥΨΟΥΣ

Η χρησιμοποιούμενη αντλία είναι υψηλού μανομετρικού ύψους, κατάλληλη για χρήση σε όλους τους τύπους μονοσωλήνιας ή δισωλήνιας εγκατάστασης θέρμανσης. Η αυτόματη βαλβίδα εξαερισμού είναι ενσωματωμένη στο σώμα της αντλίας και επιτρέπει το γρήγορο εξαερισμό της εγκατάστασης θέρμανσης.

ΥΠΟΜΝΗΜΑ ΓΡΑΦΗΜΑΤΩΝ ΑΝΤΛΙΑΣ - "SECTION" E

Q	ΠΑΡΟΧΗ	MIN	Ελάχιστη ταχύτητα διαμόρφωσης
H	ΜΑΝΟΜΕΤΡΙΚΟ ΥΨΟΣ	MAX	Μέγιστη ταχύτητα διαμόρφωσης

18.ΕΤΗΣΙΑ ΣΥΝΤΗΡΗΣΗ



Αν ο λέβητας ήταν σε λειτουργία, περιμένετε να κρυώσει ο θάλαμος καύσης και οι σωληνώσεις.



Πριν από οποιαδήποτε επέμβαση, βεβαιωθείτε ότι ο λέβητας δεν τροφοδοτείται ηλεκτρικά. Αφού τελειώσουν οι προκαθορισμένες εργασίες συντήρησης, αν τροποποιήθηκαν, επαναφέρετε τις παραμέτρους λειτουργίας του λέβητα.



Ο καθαρισμός της συσκευής δεν πρέπει να γίνεται με ουσίες αποξυστικές, βίαιες ή/και εύκολα αναφλέξιμες (όπως για παράδειγμα βενζίνη, ακετόνη, κλπ).

Για τη διασφάλιση βέλτιστης απόδοσης του λέβητα πρέπει να διενεργείτε ετησίως τους ακόλουθους ελέγχους:

- Έλεγχος της όψης και της στεγανότητας των τσιμουχών του κυκλώματος αερίου και του κυκλώματος καύσης. Αντικαταστήστε τις φθαρμένες τσιμούχες με νέα και αυθεντικά ανταλλακτικά.
- Έλεγχος της κατάστασης και της σωστής θέσης των ηλεκτροδίων ανάφλεξης και καταγραφής φλόγας.
- Έλεγχος της κατάστασης του καυστήρα και της στερέωσής του.
- Έλεγχος για ενδεχόμενους ρύπους στο εσωτερικό του θαλάμου καύσης. Για το σκοπό αυτό χρησιμοποιήστε μια ηλεκτρική σκούπα για τον καθαρισμό.
- Έλεγχος της πίεσης του συστήματος θέρμανσης.
- Έλεγχος της πίεσης του δοχείου διαστολής.
- Έλεγχος της σωστής λειτουργίας του ανεμιστήρα.
- Έλεγχος για το αν είναι εμφραγμένοι οι αγωγοί αποστράγγισης και αναρρόφησης.
- Έλεγχος για ενδεχόμενες ακαθαρσίες στο εσωτερικό του σιφωνίου (για λέβητες συμπύκνωσης).
- Έλεγχος της ακεραιότητας της ανόδου μαγνησίου, όπου υπάρχει, για τους λέβητες που διαθέτουν μπόιλερ.



Για την εκκένωση και τον καθαρισμό του σιφωνίου συστήνεται να μη χρησιμοποιείτε το πώμα που υπάρχει στη βάση αυτού. Αφαιρέστε το σιφώνιο από το εσωτερικό του λέβητα και καθαρίστε το με ρεύμα νερού. Γεμίστε το σιφώνιο με νερό καθαρό και επανατοποθετήστε το προσέχοντας να είναι ασφαλείς όλες οι συνδέσεις.

18.1 ΠΑΡΑΜΕΤΡΟΙ ΚΑΥΣΗΣ

Για την επιτόπου μέτρηση της απόδοσης καύσης και της υγιεινής των καυσαερίων ο λέβητας διαθέτει δύο υποδοχές που προορίζονται για το συγκεκριμένο σκοπό. Η μία παροχή είναι συνδεδεμένη στο κύκλωμα απαγωγής των καυσαερίων (A) και επιτρέπει μετρήσεις για την υγιεινή των καυσαερίων και την απόδοση της καύσης. Η άλλη παροχή είναι συνδεδεμένη στο κύκλωμα αναρρόφησης του αέρα καύσης (B) στον οποίο μπορεί να διαπιστωθεί η ενδεχόμενη ανακύκλωση των προϊόντων της καύσης σε περίπτωση ομοαξονικών αγωγών. Από την παροχή που είναι συνδεδεμένη με το κύκλωμα καυσαερίων μπορούν να μετρηθούν οι ακόλουθες παράμετροι:

- θερμοκρασία προϊόντων της καύσης
- συγκέντρωση οξυγόνου (O_2) ή, εναλλακτικά, διοξειδίου του άνθρακα (CO_2);
- συγκέντρωση μονοξειδίου του άνθρακα (CO).

Η θερμοκρασία του αέρα καύσης πρέπει να μετράται από την παροχή που είναι συνδεδεμένη στο κύκλωμα αναρρόφησης του αέρα (B), εισάγοντας τον αισθητήρα μέτρησης για περίπου 8 cm (C).



Για την ενεργοποίηση της λειτουργίας "ΚΑΘΑΡΙΣΜΟΥ ΚΑΠΝΟΔΟΧΟΥ" ανατρέξτε στο κεφάλαιο 12.3.

18.2 ΥΔΡΑΥΛΙΚΗ ΜΟΝΑΔΑ

Για συγκεκριμένες ζώνες παροχής, όπου τα χαρακτηριστικά σκληρότητας του νερού ξεπερνούν τις τιμές 20 °F (1 °F = 10 mg ανθρακικού ασβεστίου ανά λίτρο νερού) απαιτείται η εγκατάσταση δόσομετρητή πολυφωσφορικών αλάτων ή ανάλογων συστημάτων σύμφωνα με την ισχύουσα νομοθεσία.

ΥΠΟΜΝΗΜΑ - "SECTION" F

A	Βίδα στερέωσης του ανταλλάκτη ζεστού νερού οικιακής χρήσης
B	Αισθητήρας προτεραιότητας ζεστού νερού οικιακής χρήσης με φίλτρο
C	Στρόφιγγα αποστράγγισης λέβητα/εγκατάστασης (C-1 & C-2: πρόσβαση στη στρόφιγγα C – κάτω πλευρό του λέβητα)
D	Στρόφιγγα τροφοδοσίας λέβητα/εγκατάστασης
E	Αισθητήρας θερμοκρασίας NTC ζεστού νερού οικιακής χρήσης
F	Αισθητήρας πίεσης νερού κυκλώματος θέρμανσης

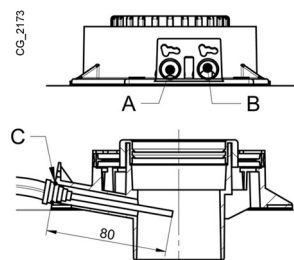
18.2.1 ΚΑΘΑΡΙΣΜΟΣ ΤΟΥ ΦΙΛΤΡΟΥ ΚΡΥΟΥ ΝΕΡΟΥ

Ο λέβητας διαθέτει φίλτρο κρύου νερού ευρισκόμενο στην υδραυλική μονάδα (B). Για τον καθαρισμό προχωρήστε όπως περιγράφεται ακολούθως:

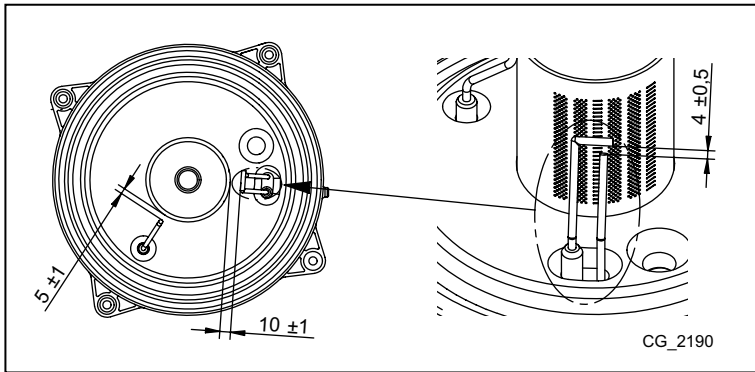
- Αδειάστε το νερό που περιέχεται στο δοχείο ζεστού νερού οικιακής χρήσης.
- Ξεβιδώστε το παξιμάδι στη μονάδα αισθητήρα προτεραιότητας ζεστού νερού οικιακής χρήσης
- Τραβήξτε από την έδρα του τον αισθητήρα με το σχετικό φίλτρο.
- Απομακρύνετε ενδεχόμενες ακαθαρσίες.



Σε περίπτωση αντικατάστασης ή/και καθαρισμού των δακτυλίων "OR" της υδραυλικής μονάδας μη χρησιμοποιείτε ως λιπαντικά λάδια ή γράσα αλλά αποκλειστικά Molykote 111.



18.3 ΤΟΠΟΘΕΤΗΣΗ ΗΛΕΚΤΡΟΔΙΩΝ



18.4 ΑΝΤΙΚΑΤΑΣΤΑΣΗ ΤΩΝ ΕΞΑΡΤΗΜΑΤΩΝ

Σε περίπτωση αντικατάστασης ενός ή περισσότερων των ακόλουθων μερών:

- Εναλλάκτης νερού - καυσαερίων
- Ανεμιστήρας
- Βαλβίδα αερίου
- Ακροφύσιο αερίου
- Καυστήρας
- Ηλεκτρόδιο ανίχνευσης φλόγας

θα πρέπει να ενεργοποιήσετε τη διαδικασία Αυτόματης Βαθμονόμησης που περιγράφεται στη συνέχεια και ενδεχομένως να ρυθμίσετε την τιμή του CO₂% όπως περιγράφεται στο κεφάλαιο “ΛΕΙΤΟΥΡΓΙΑ ΔΙΟΡΘΩΣΗΣ ΚΑΥΣΗΣ (CO₂%)” .





Όταν διενεργείται μια επέμβαση στη συσκευή συστήνεται να ελέγχετε την λειτουργία και τη θέση του ηλεκτροδίου ανίχνευσης φλόγας και να το αντικαθιστάτε σε περίπτωση φθοράς.


ΛΕΙΤΟΥΡΓΙΑ ΑΥΤΟΜΑΤΗΣ ΒΑΘΜΟΝΟΜΗΣΗΣ

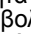
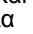
Πατήστε ταυτόχρονα για τουλάχιστον 6 δευτερόλεπτα τα κουμπιά   , όταν η οθόνη εμφανίζει την ένδειξη "On" πατήστε το κουμπί  (εντός 3 δευτερολέπτων μετά το πάτημα των προηγούμενων κουμπιών).




Αν η οθόνη εμφανίζει την ένδειξη "303" η λειτουργία Αυτόματης Βαθμονόμησης δεν ενεργοποιήθηκε. Διακόψτε για μερικά δευτερόλεπτα την ηλεκτρική τροφοδοσία στο λέβητα και επαναλάβετε την παραπάνω περιγραφόμενη διαδικασία.

Όταν η λειτουργία είναι ενεργή στην οθόνη εμφανίζονται τα σύμβολα   να αναβοσβήνουν.

Μετά την ακολουθία ανάμματος, που μπορεί να γίνει και μετά από ορισμένες προσπάθειες, ο λέβητας διενεργεί 3 εργασίες (εκάστη διάρκειας περίπου 1 λεπτού) ξεκινώντας πρώτα με τη μέγιστη ισχύ, έπειτα με την ισχύ ανάμματος και τέλος με την ελάχιστη ισχύ. Πριν περάσετε από την μία φάση στην άλλη (από τη μέγιστη ισχύ στην ισχύ ανάμματος και μετά στην ελάχιστη ισχύ) η οθόνη εμφανίζει για μερικά δευτερόλεπτα τα σύμβολα  . Κατά τη φάση αυτή η οθόνη δείχνει διαδοχικά τη στάθμη ισχύος που επιτεύχθηκε από το λέβητα και τη θερμοκρασία παροχής.

Όταν στην οθόνη τα σύμβολα   αναβοσβήνουν ταυτόχρονα, σημαίνει ότι η λειτουργία βαθμονόμησης τελείωσε.

Για έξοδο από τη λειτουργία πατήστε το κουμπί  , στην οθόνη εμφανίζεται η ένδειξη **ESC**.

19. ΑΠΕΓΚΑΤΑΣΤΑΣΗ, ΔΙΑΘΕΣΗ ΚΑΙ ΑΝΑΚΥΚΛΩΣΗ



Μόνο ειδικευμένοι τεχνικοί είναι εξουσιοδοτημένοι να πρεμβαίνουν στη συσκευή και στην εγκατάσταση.

Πριν προχωρήσετε στην απεγκατάσταση της συσκευής, βεβαιωθείτε ότι έχετε διακόψει την ηλεκτρική τροφοδοσία, ότι έχετε κλείσει τη στρόφιγγα εισόδου αερίου και ότι έχετε θέσει σε ασφάλεια όλες τις συνδέσεις του λέβητα και του συστήματος.

Η συσκευή θα πρέπει να διατεθεί σωστά, σύμφωνα με το θεσμικό πλαίσιο, τους ισχύοντες νόμους και κανονισμούς. Η συσκευή και τα αξεσουάρ δεν πρέπει να διατεθούν με τα οικιακά απορρίμματα.

Πλέον του 90% των υλικών της συσκευής είναι ανακυκλώσιμα.

20.ΤΕΧΝΙΚΑ ΧΑΡΑΚΤΗΡΙΣΤΙΚΑ

Μοντέλο: MPX		24 COMPACT	20/24 MI COMPACT	24/28 MI COMPACT	28/33 MI COMPACT
Κατ.		II ₂ H ₃ P			
Τύπος αερίου	-	G20 - G31			
Ονομαστική θερμική παροχή ζεστού νερού οικιακής χρήσης	kW	-	24,7	28,9	34,0
Ονομαστική θερμική παροχή θέρμανσης	kW	24,7	20,6	24,7	28,9
Μειωμένη θερμική παροχή	kW	3,5	3,5	3,9	4,8
Ονομαστική θερμική ισχύς ζεστού νερού οικιακής χρήσης	kW	-	24,0	28,0	33,0
Ονομαστική θερμική ισχύς 80/60 °C	kW	24,0	20,0	24,0	28,0
Ονομαστική θερμική ισχύς 50/30 °C	kW	26,1	21,8	26,1	30,6
Μειωμένη θερμική ισχύς 80/60 °C	kW	3,4	3,4	3,8	4,7
Μειωμένη θερμική ισχύς 50/30 °C	kW	3,7	3,7	4,1	5,1
Ονομαστική απόδοση 50/30 °C	%	105,7	105,8	105,8	105,8
Απόδοση 30% Pn	%	108,8	108,8	108,8	108,9
Μέγιστη πίεση νερού κυκλώματος θέρμανσης	bar	3			
Ελάχιστη πίεση νερού κυκλώματος θέρμανσης	bar	0,5			
Χωρητικότητα νερού δοχείου εκτόνωσης	l	7			
Ελάχιστη πίεση του δοχείου εκτόνωσης	bar	0,8			
Μέγιστη πίεση νερού κυκλώματος ζεστού νερού οικιακής χρήσης	bar	-	8,0	8,0	8,0
Ελάχιστη δυναμική πίεση νερού κυκλώματος ζεστού νερού οικιακής χρήσης	bar	-	0,15	0,15	0,15
Ελάχιστη παροχή νερού του κυκλώματος ζεστού νερού οικιακής χρήσης	l/min	-	2,0	2,0	2,0
Παραγωγή ζεστού νερού οικιακής χρήσης με ΔT = 25 °C	l/min	-	13,8	16,1	18,9
Παραγωγή ζεστού νερού οικιακής χρήσης με ΔT = 35 °C	l/min	-	9,8	11,5	13,5
Ειδική παροχή "D" (EN 13203-1)	l/min	-	11,5	13,4	15,8
Εύρος θερμοκρασιών κυκλώματος θέρμανσης	°C	25+80			
Εύρος θερμοκρασιών κυκλώματος ζεστού νερού οικιακής χρήσης	°C	35+60			
Τυπολογία αποστραγγίσεων	-	C13(x) - C33(x) - C43(x) - C43P - C53(x) C63(x) - C83(x) - C93(x) - B23 - B23P			
Διάμετρος ομοκεντρικής αποστράγγισης	mm	60/100			
Διάμετρος χωριστών αποστραγγίσεων	mm	80/80			
Μέγιστη παροχή μάζας καπνών	kg/s	0,0012	0,012	0,014	0,016
Ελάχιστη παροχή μάζας καπνών	kg/s	0,002	0,002	0,002	0,002
Μέγιστη θερμοκρασίας καπνών	°C	80			
Κλάση NOx	-	6			
Πίεσης τροφοδοσίας φυσικού αερίου 2H	mbar	20			
Πίεσης τροφοδοσίας αερίου προπανίου 3P	mbar	37			
Ηλεκτρική τάση τροφοδοσίας	V	230			
Ηλεκτρική συχνότητα τροφοδοσίας	Hz	50			
Ονομαστική ηλεκτρική ισχύς	W	85	85	99	106
Καθαρό βάρος	kg	30	34	34	35
Διαστάσεις (ύψος/ πλάτος/ βάθος)	mm	700/400/299			
Βαθμός προστασίας κατά της υγρασίας (EN 60529)	-	IPX5D			
Πιστοποιητικό CE n° 0085CL0214					

ΚΑΤΑΝΑΛΩΣΕΙΣ ΘΕΡΜΙΚΗ ΠΑΡΟΧΗ Q_{max} και Q_{min}

Q _{max} (G20) - 2H	m ³ /h	2,61	2,61	3,06	3,60
Q _{min} (G20) - 2H	m ³ /h	0,37	0,37	0,41	0,51
Q _{max} (G31) - 3P	kg/h	1,92	1,92	2,25	2,64
Q _{min} (G31) - 3P	kg/h	0,27	0,27	0,30	0,37

21.ΤΕΧΝΙΚΕΣ ΠΑΡΑΜΕΤΡΟΙ

DE DIETRICH MPX			24 COMPACT	20/24 MI COMPACT	24/28 MI COMPACT	28/33 MI COMPACT
Λέβητας συμπίκνωσης			Ναι	Ναι	Ναι	Ναι
Λέβητας χαμηλής θερμοκρασίας ⁽¹⁾			Όχι	Όχι	Όχι	Όχι
Λέβητας B1			Όχι	Όχι	Όχι	Όχι
Θερμαντήρας χώρου με συμπαραγωγή			Όχι	Όχι	Όχι	Όχι
Θερμαντήρας συνδυασμένης λειτουργίας			Όχι	Ναι	Ναι	Ναι
Ονομαστική θερμική ισχύς	<i>Prated</i>	kW	24	20	24	28
Ωφέλιμη θερμική ισχύς στην ονομαστική θερμική ισχύ και σε καθεστώς υψηλής θερμοκρασίας ⁽²⁾	<i>P₄</i>	kW	24.0	20.0	24.0	28.0
Ωφέλιμη θερμική ισχύς στο 30% της ονομαστικής θερμικής ισχύος και σε καθεστώς χαμηλής θερμοκρασίας ⁽¹⁾	<i>P₁</i>	kW	8.0	6.7	8.0	9.4
Ενεργειακή απόδοση της εποχιακής θέρμανσης χώρου	<i>η_s</i>	%	93	93	93	93
Ωφέλιμη απόδοση στην ονομαστική θερμική ισχύ και σε καθεστώς χαμηλής θερμοκρασίας ⁽²⁾	<i>η₄</i>	%	87.9	88.0	87.9	88.1
Ωφέλιμη απόδοση στο 30% της ονομαστικής θερμικής ισχύος και σε καθεστώς χαμηλής θερμοκρασίας ⁽¹⁾	<i>η₁</i>	%	98.0	98.0	98.0	98.1
Βοηθητική κατανάλωση ηλεκτρικής ενέργειας						
Πλήρες φορτίο	<i>elmax</i>	kW	0.042	0.030	0.042	0.041
Μερικό φορτίο	<i>elmin</i>	kW	0.013	0.013	0.013	0.013
Κατάσταση αναμονής	<i>P_{SB}</i>	kW	0.003	0.003	0.003	0.003
Λοιπά χαρακτηριστικά						
Απώλειες θερμότητας σε κατάσταση αναμονής	<i>P_{stby}</i>	kW	0.035	0.035	0.035	0.040
Κατανάλωση ισχύος ανάφλεξης καυστήρα	<i>P_{ign}</i>	kW	0.000	0.000	0.000	0.000
Ετήσια κατανάλωση ενέργειας	<i>Q_{HE}</i>	GJ	74	62	74	87
Στάθμη ηχητικής ισχύος, εσωτερικού χώρου	<i>L_{WA}</i>	dB	52	49	48	53
Εκπομπές οξειδίων του αζώτου	NO _x	mg/kWh	16	15	17	15
Παράμετροι ζεστού νερού οικιακής χρήσης						
Δηλωμένο προφίλ φορτίου				XL	XL	XXL
Ημερήσια κατανάλωση ηλεκτρικής ενέργειας	<i>Q_{elec}</i>	kWh		0.162	0.232	0.214
Ετήσια κατανάλωση ηλεκτρικής ενέργειας	<i>AEC</i>	kWh		36	51	47
Ενεργειακή απόδοση θέρμανσης νερού	<i>η_{wh}</i>	%		88	86	87
Ημερήσια κατανάλωση καυσίμου	<i>Q_{fuel}</i>	kWh		21.780	22.470	27.820
Ετήσια κατανάλωση καυσίμου	<i>AFC</i>	GJ		17	17	22
<p>(1) Η χαμηλή θερμοκρασία αφορά θερμοκρασία επιστροφής 30°C για τους λέβητες συμπίκνωσης, 37°C για τους λέβητες χαμηλής θερμοκρασίας και 50°C για άλλους λέβητες (στην είσοδο του θερμαντήρα).</p> <p>(2) Το καθεστώς υψηλής θερμοκρασίας αφορά θερμοκρασία επιστροφής 60°C και θερμοκρασία τροφοδοσίας 80°C στην έξοδο του θερμαντήρα.</p>						

22. ΔΕΛΤΙΟ ΠΡΟΪΟΝΤΟΣ

DE DIETRICH MPX		24 COMPACT	20/24 MI COMPACT	24/28 MI COMPACT	28/33 MI COMPACT
Θέρμανση χώρου - Εφαρμογή θερμοκρασίας		Μέση	Μέση	Μέση	Μέση
Θέρμανση νερού - Δηλωμένο προφίλ φορτίου			XL	XL	XL
Τάξη ενεργειακής απόδοσης της εποχιακής θέρμανσης χώρου		A	A	A	A
Τάξη ενεργειακής απόδοσης θέρμανσης νερού			A	A	A
Ονομαστική θερμική ισχύς (<i>Prated ή Psup</i>)	kW	24	20	24	28
Θέρμανση χώρου - Ετήσια κατανάλωση ενέργειας	GJ	74	62	74	87
Θέρμανση νερού - Ετήσια κατανάλωση ενέργειας	kWh ⁽¹⁾ GJ ⁽²⁾		36 17	51 17	47 22
Ενεργειακή απόδοση της εποχιακής θέρμανσης χώρου	%	93	93	93	93
Ενεργειακή απόδοση θέρμανσης νερού	%		88	86	87
Στάθμη ηχητικής ισχύος L _{WA} , εσωτερικού χώρου	dB	52	49	48	53
(1) Ηλεκτρικής ενέργειας (2) Καυσίμου					

Уважаемый пользователь,
Мы убеждены, что приобретенное Вами изделие будет соответствовать всем Вашим требованиям. Наши изделия разработаны таким образом, чтобы обеспечить хорошую работу, простоту и легкость эксплуатации. Сохраните это руководство и пользуйтесь им в случае возникновения какой-либо проблемы. В данном руководстве Вы найдете полезные сведения, которые помогут Вам правильно и эффективно использовать Ваше изделие.

Наша компания заявляет, что данные модели котлов имеют маркировку **CE** в соответствии с основными требованиями перечисленных далее Директив:

- Директива о газе **2009/142/CE** (до 20 Апреля 2018)
- Регламент о газе (UE) **2016/426** (с 21 Апреля 2018)
- Директива о производительности **92/42/CEE**
- Директива об электромагнитной совместимости **2014/30/UE**
- Директива о низком напряжении **2014/35/UE**
- Директива экодизайн **2009/125/CE**
- Регламент (UE) № **2017/1369** (Для котлов с мощностью <70 кВт)
- Регламент (UE) № **813/2013** об экологическом проектировании
- Регламент (UE) № **811/2013** об энергетической маркировке (Для котлов с мощностью <70 кВт)



Наша компания постоянно работает над усовершенствованием своих изделий и сохраняет за собой право в любой момент и без предварительного уведомления изменять информацию, приведенную в данном документе. Настоящее руководство является информационной поддержкой и не может рассматриваться в качестве договора по отношению к третьим лицам.

Оборудование может использоваться детьми не младше 8 лет, людьми с ограниченными физическими или умственными возможностями или людьми с недостаточным опытом и знаниями только под присмотром и при условии, что они были обучены безопасному обращению с оборудованием и поняли опасности, связанные с его эксплуатацией. Не позволяйте детям играть с оборудованием. Действия по чистке и уходу, входящие в обязанности пользователя, не должны выполняться детьми.

СОДЕРЖАНИЕ

ОПИСАНИЕ СИМВОЛОВ	150
МЕРЫ БЕЗОПАСНОСТИ	150
ОБЩИЕ ПРЕДУПРЕЖДЕНИЯ	151
РЕКОМЕНДАЦИИ ПО ЭКОНОМИИ ЭНЕРГИИ	151
1. ВВОД КОТЛА В ЭКСПЛУАТАЦИЮ.....	152
1.1 РЕГУЛИРОВКА ТЕМПЕРАТУРЫ ПОДАЧИ ОТОПЛЕНИЯ И ГОРЯЧЕЙ ВОДЫ.....	152
1.2 РЕЖИМ РАБОТЫ	152
2. ВЫКЛЮЧЕНИЕ НА ДЛИТЕЛЬНЫЙ ПЕРИОД. ЗАЩИТА ОТ ЗАМЕРЗАНИЯ	153
3. ПЕРЕВОД КОТЛА НА ДРУГОЙ ТИП ГАЗА	153
4. НЕПОЛАДКИ.....	153
5. МЕНЮ ИНФОРМАЦИИ О КОТЛЕ.....	154
6. ВЫКЛЮЧЕНИЕ КОТЛА.....	154
7. НАПОЛНЕНИЕ СИСТЕМЫ.....	154
8. ИНСТРУКЦИИ ПО ПЛАНОВОМУ ТЕХОБСЛУЖИВАНИЮ.....	154
ПРЕДУПРЕЖДЕНИЯ ПЕРЕД МОНТАЖОМ.....	155
9. МОНТАЖ КОТЛА	155
9.1 В КОМПЛЕКТ ПОСТАВКИ ВХОДЯТ	155
9.2 РАЗМЕРЫ КОТЛА.....	155
10. МОНТАЖ ДЫМОХОДА И ВОЗДУХОВОДА	156
10.1 КОАКСИАЛЬНЫЕ ДЫМОХОДЫ.....	156
10.2 РАЗДЕЛЬНЫЕ ДЫМОХОДЫ.....	157
11. ЭЛЕКТРИЧЕСКИЕ СОЕДИНЕНИЯ.....	158
11.1 ПОДКЛЮЧЕНИЕ КОМНАТНОГО ТЕРМОСТАТА	158
11.2 АКСЕССУАРЫ, КОТОРЫЕ НЕ ВКЛЮЧЕНЫ В КОМПЛЕКТ ПОСТАВКИ.....	158
12. СПЕЦИАЛЬНЫЕ ФУНКЦИИ.....	159
12.1 ПЕРВЫЙ ПУСК	159
12.2 ФУНКЦИЯ УДАЛЕНИЯ ВОЗДУХА ИЗ СИСТЕМЫ ОТОПЛЕНИЯ	159
12.3 ФУНКЦИЯ ОЧИСТКИ ДЫМОХОДА.....	159
12.4 КОНТРОЛЬ ПРОДУКТОВ СГОРАНИЯ.....	160
ФУНКЦИЯ РЕГУЛИРОВАНИЯ СОСТАВА ПРОДУКТОВ СГОРАНИЯ (CO ₂ %).....	160
13. ГАЗОВЫЙ КЛАПАН.....	160
13.1 ПОРЯДОК ПЕРЕВОДА КОТЛА НА ДРУГОЙ ТИП ГАЗА.....	160
14. НАСТРОЙКА ПАРАМЕТРОВ.....	161
14.1 РЕГУЛИРОВКА МАКСИМАЛЬНОЙ МОЩНОСТИ ОТОПЛЕНИЯ	162
15. ПОИСК И УСТРАНЕНИЕ НЕИСПРАВНОСТЕЙ СЕРВИСНЫМИ СПЕЦИАЛИСТАМИ.....	162
16. УСТРОЙСТВА ДЛЯ РЕГУЛИРОВАНИЯ И БЕЗОПАСНОСТИ.....	164
17. ХАРАКТЕРИСТИКИ РАСХОДА/НАПОРА.....	164
18. ЕЖЕГОДНОЕ ТЕХОБСЛУЖИВАНИЕ	165
18.1 ПАРАМЕТРЫ ГОРЕНИЯ ГАЗА.....	165
18.2 ГИДРАВЛИЧЕСКИЙ УЗЕЛ.....	165
18.3 РАСПОЛОЖЕНИЕ ЭЛЕКТРОДОВ	166
18.4 ЗАМЕНА ДЕТАЛЕЙ.....	166
ФУНКЦИЯ АВТОМАТИЧЕСКОЙ КАЛИБРОВКИ.....	166
19. ДЕМОНТАЖ И УТИЛИЗАЦИЯ	166
20. ТЕХНИЧЕСКИЕ ХАРАКТЕРИСТИКИ.....	167

ОПИСАНИЕ СИМВОЛОВ



ПРЕДУПРЕЖДЕНИЕ

Риск повреждения или неисправности при работе оборудования. Соблюдать повышенную осторожность и выполнять предупреждения о возможном риске для людей.



ОПАСНОСТЬ ОЖОГОВ

Подождать пока оборудование остынет, перед тем, как дотрагиваться до горячих частей.



ОПАСНОСТЬ ВЫСОКОЕ НАПРЯЖЕНИЕ

Электрические детали находятся под напряжением, существует риск удара электричеством.



ОПАСНОСТЬ ВОЗНИКНОВЕНИЯ ПОЖАРА

Легковоспламеняющийся материал или газ.



ОПАСНОСТЬ ЗАМЕРЗАНИЯ

Возможно образование льда вследствие действия низких температур.



ВАЖНАЯ ИНФОРМАЦИЯ

С особым вниманием прочитайте полезные сведения, которые помогут Вам правильно использовать Ваше изделие.



ОБЩИЙ ЗАПРЕТ

Запрещается делать / использовать указанное рядом с символом.

МЕРЫ БЕЗОПАСНОСТИ

ЗАПАХ ГАЗА

- Выключить котел.
- Не включать электроприборы (не включать свет).
- Погасить открытое пламя, открыть окно.
- Позвонить в обслуживающую организацию.

ЗАПАХ ОТРАБОТАННЫХ ГАЗОВ

- Выключить котел.
- Проветрить помещение, открыв двери и окна.
- Позвонить в обслуживающую организацию.

ЛЕГКО ВОСПЛАМЕНЯЮЩИЙСЯ МАТЕРИАЛ

Не использовать и/или складывать легко воспламеняющиеся материалы (растворители, бумагу, и т. д.) рядом с котлом.

ТЕХОБСЛУЖИВАНИЕ И ЧИСТКА КОТЛА

Перед выполнением любых операций отключить электропитание котла.



Элементы упаковки (пластиковые пакеты, полистирол и т.д.) необходимо беречь от детей, т.к. они представляют собой потенциальный источник опасности.



Оборудование не предназначено для использования людьми, чьи физические и умственные способности ограничены, или людьми с недостаточным опытом или знаниями, за исключением тех случаев, когда им оказывается помощь со стороны других лиц, отвечающих за их безопасность и прошедших инструктаж по пользованию оборудованием.

ОБЩИЕ ПРЕДУПРЕЖДЕНИЯ

Котел предназначен для нагрева воды не выше температуры кипения при атмосферном давлении. Он подключается к системе отопления и к системе приготовления горячей воды в соответствии с его характеристиками и мощностью. Котел должен устанавливаться квалифицированным специалистом. До установки котла необходимо:

- Проверить, что котел настроен на работу с данным типом газа. Данная информация приведена на упаковке и на заводской табличке (шильдике) котла.
- Убедиться, что в дымоходе имеется достаточная тяга, отсутствуют сужения, и нет поступления посторонних продуктов сгорания, за исключением тех случаев, когда дымоход специально спроектирован для обслуживания нескольких устройств, в соответствии с проектной документацией и действующей нормативной документацией.
- При присоединении дымоотводящего патрубка к уже имеющемуся дымоходу проверить, что дымоход полностью очищен, т.к. при работе котла частицы сажи могут оторваться от стенок дымохода и закрыть выход продуктов сгорания, создав тем самым опасную ситуацию.
- Кроме того, чтобы сохранить действие гарантии на аппарат и для поддержания его правильного функционирования, необходимо применять следующие меры предосторожности.

1. Контур горячего водоснабжения

1.1 Если жесткость воды выше значения 20° F (где 1° F = 10 мг карбоната кальция на 1 литр воды), следует установить полифосфатный дозатор или аналогичную систему для умягчения воды, которая соответствует действующим нормативам.

1.2 Тщательно промыть оборудование после его установки и перед началом эксплуатации.

1.3 Материалы, использованные в контуре горячего водоснабжения, действующей нормативной документации.

2. Контур отопления

2.1 Новая установка: Перед установкой котла отопительное оборудование должно быть предварительно очищено, чтобы убрать возможные отложения или загрязнения (кусочки обшивки, спайки, растворители), используя для этого не кислотные и не щелочные вещества, не оказывающие вредного воздействия на металлы, пластик и резину, имеющиеся в свободной продаже. Для защиты оборудования от накипи необходимо использовать вещества-ингибиторы, такие как SENTINEL X100 и FERNOX Protettivo для отопительного оборудования. При использовании очищающих веществ необходимо строго следовать указаниям инструкций по их применению.

2.2 Существующая установка: Перед установкой котла система отопления должна быть предварительно опорожнена и очищена от грязи и возможных отложений, используя вещества, имеющиеся в свободной продаже. Вещества, рекомендуемые для очистки оборудования: SENTINEL X300 или X400 и FERNOX rigeneratore для отопительного оборудования. При использовании очищающих веществ необходимо строго следовать указаниям инструкций по их применению. Напоминаем Вам, что наличие отложений в системе отопления приводит к проблемам в работе котла (перегрев и шумность теплообменника)

Первый пуск котла должен производиться квалифицированным специалистом. Необходимо убедиться в следующем:

- Параметры котла по электропитанию, воде и газу соответствуют имеющимся системам электро-, водо-, и газоснабжения.
- Эта система должна отвечать действующей нормативной документации.
- Аппарат правильно подключен к электропитанию и заземлению.



При несоблюдении вышеперечисленных требований гарантия от завода-изготовителя теряет свою силу. Перед первым пуском снимите с котла защитную пленку. Чтобы не повредить окрашенные поверхности, во время мытья и чистки поверхностей не используйте щетки с жесткой щетиной или абразивные моющие средства во избежание образования механических повреждений поверхностей.

РЕКОМЕНДАЦИИ ПО ЭКОНОМИИ ЭНЕРГИИ

Управление системой отопления

Необходимо отрегулировать температуру подачи котла в зависимости от типа установки. Для установок с термосифонами (радиаторами), рекомендуется задать максимальную температуру подачи воды нагрева на 60°C, и повышать эту температуру, если не удается достичь требуемого комфорта внутри помещения. В случае с установкой с излучающими панелями в полу не следует превышать температуру, предусмотренную проектировщиком установки. Рекомендуется использовать наружный зонд и/или панель управления для автоматической адаптации температуры подачи в зависимости от атмосферных условий или внутренней температуры. Таким образом, не вырабатывается лишнее тепло, по сравнению с необходимым. Отрегулируйте температуру помещения, не приводя к его перегреву. Повышение на один градус приводит к увеличению потребляемой мощности около 6%. Необходимо отрегулировать температуру помещения также в зависимости от назначения помещения. Например, спальни или менее используемые помещения могут отапливаться меньше. Используйте часовое программирование и задавайте температуру помещения в ночные часы ниже, чем в дневные часы, примерно на 5°C. Более сильное снижение не выгодно с экономической точки зрения. Только в случае длительного отсутствия, например, на время отпуска, можно дополнительно понизить настройку температуры. Не закрывайте радиаторы, чтобы не нарушить правильную циркуляцию воздуха. Не оставляйте окна открытыми, чтобы проветрить помещение, а открывайте их полностью на короткий промежуток времени.

Горячая вода

Удастся достичь хорошей экономии энергии, задавая требуемую температуру горячей воды, не смешивая ее с холодной водой. Дополнительный нагрев воды приводит к бесполезной трате энергии и повышению образования известковой накипи.

Пользователь и Установщик (г/у)

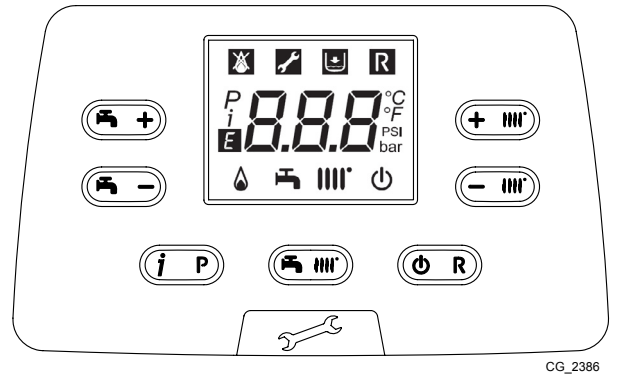
1. ВВОД КОТЛА В ЭКСПЛУАТАЦИЮ

Действовать, как указано далее, для правильного включения котла:

- Убедитесь, что имеется требуемое давление в системе (глава 7);
- Подать электропитание к котлу.
- Откройте газовый клапан (желтый, расположенный под котлом);
- Выбрать желаемый режим работы (раздел 1.2).

Описание КНОПОК

	Регулирование температуры ГВС (кнопка+ для увеличения температуры и кнопка – для уменьшения)
	Регулирование температуры отопительной воды (кнопка+ для увеличения температуры и кнопка – для уменьшения)
	Информация о работе котла
	Режим работы: ГВС - ГВС и Отопление - Только отопление
	Выключить – Перегрузить – Выйти из меню/функции



CG_2386

Описание СИМВОЛОВ

	Выключено: отопление и ГВС отключены (активна только функция защиты от замерзания)		Горелка включена
	Аномалия, мешающая розжигу горелки		Работа в режиме ГВС
	Низкое давление воды в котле/системе		Работа в режиме отопления
	Необходимо вмешательство сервисного центра		Меню программирования
	Перезапуск котла вручную (кнопка		Меню информации о котле
	Наличие неисправности	°C, °F, bar, PSI	Установленные единицы измерения (SI/US)

1.1 РЕГУЛИРОВКА ТЕМПЕРАТУРЫ ПОДАЧИ ОТОПЛЕНИЯ И ГОРЯЧЕЙ ВОДЫ

Регулировка температуры подачи отопления и ГВС (при наличии внешнего бойлера) осуществляется при помощи кнопок и . Когда горелка работает, на дисплее горит символ .

ОТОПЛЕНИЕ: во время работы котла в режиме отопления на дисплее отображается мигающий символ и температура подачи отопления (°C).

При подключении датчика уличной температуры кнопки косвенно регулируют температуру в помещении (по умолчанию – 20°C, см. главу 11.2.1).

РЕЖИМ ГОРЯЧЕЙ ВОДЫ: Когда котел работает в режиме горячего водоснабжения, на дисплее появляется мигающий символ и температура воды в первичном теплообменнике котла (°C).

1.2 РЕЖИМ РАБОТЫ

ОТОБРАЖАЕМЫЙ СИМВОЛ	РЕЖИМ РАБОТЫ
	ГВС
	ГВС и ОТОПЛЕНИЕ
	ТОЛЬКО ОТОПЛЕНИЕ

Чтобы задать работу котла в режиме «ГВС», «ГВС и отопление» или «Только отопление», нажмите несколько раз кнопку и выберите один из трех доступных режимов.

Чтобы выключить все режимы работы котла, оставив включенной функцию защиты от замерзания, нажмите минимум на 3 секунды кнопку , на дисплее высветится только символ (если котел заблокирован, подсветка дисплея мигает).

2. ВЫКЛЮЧЕНИЕ НА ДЛИТЕЛЬНЫЙ ПЕРИОД. ЗАЩИТА ОТ ЗАМЕРЗАНИЯ

Желательно избегать того, чтобы система отопления была полностью пустой, поскольку смена воды может вызвать ненужный вредный осадок и накипь внутри котла и нагреваемых частей. Если в зимнее время оборудование не используется и есть опасность разморозки, рекомендуем смешать воду в системе со специальными защищающими от замерзания веществами (например, пропиленгликоль, смешанный с ингибиторами накипеобразования и коррозии). Автоматика котла включает в себя функцию "защита от замерзания" в режиме отопления, которая при температуре подачи ниже 5 °C включает горелку до достижения температуры, равной 30 °C.



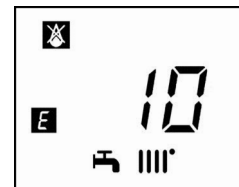
Функция действует, если котел подключен к электросети, открыт газ, давление в системе соответствует указанной норме и котел на заблокирован.

3. ПЕРЕВОД КОТЛА НА ДРУГОЙ ТИП ГАЗА

Котел может работать как на метане (G20), так и на сжиженном газе GPL (G31). В случае необходимости смены типа газа, следует обратиться в обслуживающую организацию.

4. НЕПОЛАДКИ

Неисправности, отражаемые на дисплее, определяются при помощи символа **E** и номера (код ошибки). Полный список неисправностей см. в следующей таблице. Если на дисплее отображается символ неисправности **R**, пользователь должен нажать RESET (команда сброса). Для ПЕРЕЗАПУСКА котла нажмите и удерживайте нажатой в течение 2 секунд кнопку **OK**. В случае, если часто появляется символ данной неисправности, обратитесь в ближайший авторизованный сервисный центр.



E	Описание неисправности	СПОСОБ УСТРАНЕНИЯ
09	Неправильно подключен газовый клапан.	Обратитесь в авторизованный сервисный центр.
10	Неисправен уличный датчик	Обратитесь в авторизованный сервисный центр.
12	Дифференциальный гидравлический прессостат не переключает контакты	Обратитесь в авторизованный сервисный центр.
13	Залипли контакты дифференциального гидравлического прессостата	Обратитесь в авторизованный сервисный центр.
15	Неисправно управление газовым клапаном	Обратитесь в авторизованный сервисный центр.
18	Происходит автоматическое заполнение гидравлического контура	Дождитесь конца цикла заполнения
19	Неисправность на стадии заполнения системы	Нажмите и удерживайте нажатой не менее 2 секунд кнопку R .
20	Неисправен датчик температуры на подаче контура отопления	Обратитесь в авторизованный сервисный центр.
28	Неисправен датчик тяги	Обратитесь в авторизованный сервисный центр.
40	Неисправен датчик температуры на возврате контура отопления	Обратитесь в авторизованный сервисный центр.
50	Неисправен датчик температуры контура ГВС (только для одноконтурных котлов с внешним бойлером)	Обратитесь в авторизованный сервисный центр.
53	Засорился дымоход.	Отключите не несколько секунд электропитание котла. Если неисправность не устраняется, обратитесь в авторизованный сервисный центр
55	Электронная плата не настроена.	Обратитесь в авторизованный сервисный центр.
83...87	Проблема сообщения между платой котла и блоком управления. Возможно короткое замыкание проводки.	Обратитесь в авторизованный сервисный центр.
92	Неисправность в связи с продуктами сгорания на стадии калибровки (возможно наличие продуктов сгорания в забираемом воздухе)	Обратитесь в авторизованный сервисный центр.
109	Наличие воздуха в контуре котла (временная неисправность)	Обратитесь в авторизованный сервисный центр.
110	Сработал предохранительный термостат из-за перегрева (возможно, заблокирован насос или имеется воздух в отопительном контуре).	Нажмите и удерживайте нажатой не менее 2 секунд кнопку R .
117	Слишком высокое давление гидравлического контура (> 2,7 бар)	Обратитесь в авторизованный сервисный центр.
118	Слишком низкое давление гидравлического контура	Проверьте, соответствует ли давление в системе предписанным значениям. См. раздел "ЗАПОЛНЕНИЕ СИСТЕМЫ".
125	Из-за недостаточной циркуляции сработала система безопасности. (проверка осуществляется при помощи температурного датчика)	Нажмите и удерживайте нажатой не менее 2 секунд кнопку R .
128	Потеря пламени	Нажмите и удерживайте нажатой не менее 2 секунд кнопку R .
129	Срыв пламени при розжиге	Обратитесь в авторизованный сервисный центр.

130	Срабатывание датчика тяги из-за перегрева	Нажмите и удерживайте нажатой не менее 2 секунд кнопку R .	
133	Нет розжига (5 попыток).	Нажмите и удерживайте нажатой не менее 2 секунд кнопку R .	
134	Заблокирован газовый клапан.	Нажмите и удерживайте нажатой не менее 2 секунд кнопку R .	
135	Внутренняя ошибка платы	Нажмите и удерживайте нажатой не менее 2 секунд кнопку R .	
154	Проверка датчиков на подаче и возврате	Обратитесь в авторизованный сервисный центр.	
160	Неисправность в работе вентилятора	Обратитесь в авторизованный сервисный центр.	
178	Сработал предохранительный термостат перегрева низкотемпературного контура	Обратитесь в авторизованный сервисный центр.	
270	Перегрев теплообменника	Обратитесь в авторизованный сервисный центр.	
317	162	Неправильная частота электропитания	Обратитесь в авторизованный сервисный центр.
321	163	Неисправен датчик температуры контура ГВС	Обратитесь в авторизованный сервисный центр.
384	164	Паразитное пламя (внутренняя неполадка)	Нажмите и удерживайте нажатой не менее 2 секунд кнопку R .
385	165	Слишком низкое напряжение питания	Котел перезапускается автоматически, когда напряжение становится выше 175 В. Если неисправность не устраняется, обратитесь в авторизованный сервисный центр.
431		Неисправен теплообменник датчик	Обратитесь в авторизованный сервисный центр.

II В случае наличия неполадки, включается подсветка дисплея, и на нем появляется код ошибки. Возможно выполнить 5 попыток сброса подряд, после чего котел будет заблокирован. Перед тем, как предпринять новую попытку сброса, необходимо подождать 15 минут.

5. МЕНЮ ИНФОРМАЦИИ О КОТЛЕ

Для отображения данных, указанных в таблице, нажмите и удерживайте нажатой в течение не менее 1 секунды кнопку **IR**. Для выхода нажмите на кнопку **OR**.

i	ОПИСАНИЕ	i	ОПИСАНИЕ
00	Внутренний код вторичной неполадки	06	Температура возврата отопления (°C)
01	Температура подачи отопления (°C)	07	Температура отходящих газов (°C)
02	Уличная температура (°C)	08	Температура в первичном теплообменнике (°C)
03	Температура горячей воды во внешнем бойлере (для одноконтурных котлов)	09 - 13	Информация о производителе
04	Температура горячей бытовой воды (для котлов с пластинчатым теплообменником)	14	Идентификация протокола связи Open Therm
05	Давление воды в системе отопления (бар)	15 - 18	Информация о производителе

6. ВЫКЛЮЧЕНИЕ КОТЛА

Для выключения котла необходимо отключить электропитание прибора при помощи двухполюсного выключателя. В режиме работы «Выключено» **U** котел не работает, но электрический контур котла остается под напряжением и остается активной функция «Защита от замерзания».

7. НАПОЛНЕНИЕ СИСТЕМЫ

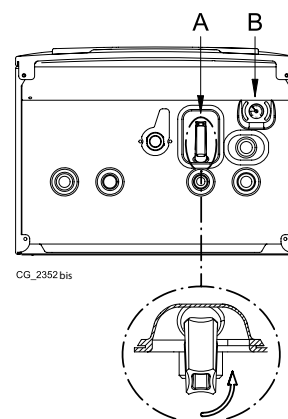
Периодически проверяйте по манометру **B**, при холодной системе отопления, чтобы давление находилось в пределах от 1 до 1,5 бар. В случае низкого давления, поверните кран "A" для заправки котла (рисунок).

A	Кран заполнения котла / системы
B	Манометр

II Заполнение системы отопления следует выполнять предельно осторожно. При наличии термостатических клапанов откройте их и заполните контур водой до достижения необходимого рабочего давления, при этом для полного удаления воздуха заполнение должно производиться медленно. Удалите воздух также из отопительных приборов, подключенных к системе. De Dietrich не берет на себя никакой ответственности за ущерб, вызванный наличием пузырей воздуха в первичном обменнике, образовавшихся вследствие неправильного или недостаточно тщательного соблюдения вышеописанных правил.

! Котел оборудован гидравлическим реле давления, которое отключает котел в случае недостаточного давления в контуре отопления.

II Если давление падает часто, обратитесь в обслуживающую организацию.



8. ИНСТРУКЦИИ ПО ПЛАНОВОМУ ТЕХОБСЛУЖИВАНИЮ

Для поддержания эффективной и безопасной работы Вашего котла необходимо его ежегодное техническое обслуживание Специализированным Сервисным Центром. Качественное обслуживание обеспечивает экономичную работу системы.

ПРЕДУПРЕЖДЕНИЯ ПЕРЕД МОНТАЖОМ

Следующие технические примечания и инструкции предназначены для монтажников, чтобы дать им возможность идеально провести установку. Инструкции по включению и эксплуатации котла находятся в части, предназначенной для пользователя.

Установщик должен быть специалистом по установке отопительных приборов, в соответствии с действующими нормативными предписаниями.

Обратите внимание:

- При установке котла в помещении, где температура окружающей среды опускается ниже 0°C, примите необходимые меры для предотвращения образования льда в сифоне и патрубке слива конденсата.
- Этот котел можно подключать к любому типу радиаторов и теплообменников, используя однотрубную или двухтрубную систему. Сечения труб в любом случае рассчитываются с использованием обычных формул и с учетом имеющихся характеристик расхода и напора используемого насоса (см. раздел 16).
- Элементы упаковки (пластиковые пакеты, полистирол и т.д.) необходимо беречь от детей, т.к. они представляют собой потенциальный источник опасности.
- Первый пуск котла должен производиться квалифицированным специалистом сервисного центра (указанного на прилагаемом листе).

При несоблюдении вышеперечисленных требований гарантия от завода-изготовителя теряет свою силу.

ПРЕДУПРЕЖДЕНИЕ ПО ПОВОДУ ДОПОЛНИТЕЛЬНОГО НАСОСА

Если система отопления должна быть оборудована дополнительным насосом, рекомендуется установить его на возвратном трубопроводе. Это обеспечит правильную работу гидравлического прессостата.

ПРЕДУПРЕЖДЕНИЕ ПО ПОВОДУ СОЛНЕЧНОЙ СИСТЕМЫ

В случае подсоединения проточного (двухконтурного) котла к системе с солнечными панелями максимальная температура горячей бытовой воды на входе в котел должна быть не выше **60°C**.



Элементы упаковки (пластиковые пакеты, полистирол и т.д.) необходимо беречь от детей, т.к. они представляют собой потенциальный источник опасности.

9. МОНТАЖ КОТЛА

Форма шаблона приведена в конце руководства в приложении **"SECTION" C**.

Выберите местоположение котла, затем прикрепите шаблон к стене. Подведите трубы к входным отверстиям воды и газа, размеченным в нижней части шаблона. Убедитесь, что задняя стенка котла параллельна стене (в противном случае установите в нижней части подходящую прокладку). На подающем и возвратном трубопроводах системы отопления рекомендуется установить два запорных крана G3/4 (поставляются по запросу); эти краны позволят производить сложные операции техобслуживания без слива воды из всей системы. В случае уже существующей системы или замены настоятельно рекомендуется установить, помимо указанного выше, фильтр грубой очистки на трубе возврата из системы, внизу, чтобы туда собирались отложения, которые могли остаться в системе после промывки. После того, как котел будет прикреплен к стене, подведите трубы подачи воздуха и отвода продуктов горения (поставляются отдельно), как описано в последующих разделах. Подсоедините сифон к дренажному патрубку. Избегать горизонтальных участков.



При подъеме котла не берите его за пластиковые части, такие как, например, сифон или дымоходный патрубок.



Осторожно затягивайте гидравлические патрубки котла (макс. сила затяжки 30 Нм).



Перед запуском котла заполните сифон водой во избежание распространения дыма в помещении.

9.1 В КОМПЛЕКТ ПОСТАВКИ ВХОДЯТ

- Шаблон (см. рисунок в приложении **"SECTION" C**)
- Кронштейн для подвески котла
- Дюбели 8 мм и винты
- Слив конденсата

АКСЕССУАРЫ, поставляемые по запросу:

- Краны подачи/возврата системы отопления, кран подачи воды и телескопические муфты
- Газовый кран

9.2 РАЗМЕРЫ КОТЛА

Размеры котла и расположение гидравлических соединений приведены в конце руководства в приложении **"SECTION" C**.

A	Слив конденсата	D	Вход ГАЗА
B	Подача воды в систему отопления	E	Вход холодной воды для системы ГВС / Заполнение системы
C	Подача горячей воды в систему ГВС (G1/2") / бойлера (G3/4")	F	Возврат воды из системы отопления

10. МОНТАЖ ДЫМОХОДА И ВОЗДУХОВОДА

Установка котла может быть легкой и простой, благодаря поставляемым аксессуарам, описанным ниже. Изначально котел предназначен для подключения к вертикальному или горизонтальному коаксиальному дымоходу. Котел можно также подключить к отдельному дымоходу при помощи разделительного комплекта.

ПРЕДУПРЕЖДЕНИЯ

C13, C33 Наконечники отдельных трубопроводов должны быть размещены в пределах квадрата стороной в 50 см. Подробные указания даны в инструкциях к отдельным аксессуарам.

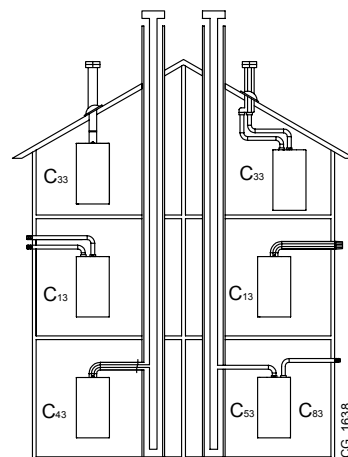
C53 Наконечники дымоходов и воздуховодов не должны быть размещены на противоположных стенах здания.

C63 Максимальная потеря давления в трубопроводах не должна превышать **100 Па**. Трубопроводы должны быть сертифицированы для данного типа применения при температурах выше 100°C. Наконечник дымохода должен быть сертифицирован по стандарту EN 1856-1.

C43, C83 Дымоход или дымовая труба должны быть пригодны для данного применения.



Для гарантии наибольшей безопасности при работе котла необходимо, чтобы дымоотводящие трубы были надежно прикреплены к стене. Устройства крепления должны располагаться на расстоянии 1 м друг от друга, на уровне соединений.

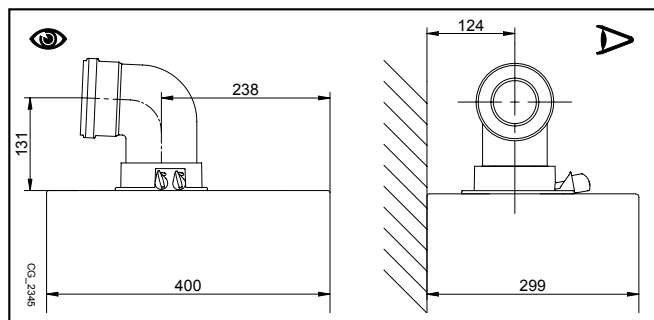


Внимательно прочитайте инструкции относительно дымохода и воздуховода, изложенные в данном руководстве и прилагаемые к аксессуарам; в случае расхождения между текстами необходимо соблюдать инструкции данного руководства.

10.1 КОАКСИАЛЬНЫЕ ДЫМОХОДЫ

Этот тип дымохода позволяет отводить сгоревшие газы наружу и забирать воздух для горения снаружи здания, а также присоединяться к общему дымоходу типа LAS. 90° коаксиальный отвод позволяет присоединять котел к дымоходу в любом направлении, поскольку он может поворачиваться на 360°. Кроме того, он может использоваться в качестве дополнительного патрубка, в сочетании с коаксиальной трубой или с 45° отводом.

Если выход дымохода расположен снаружи, воздуховод должен выступать из стены не менее чем на 18 мм с тем, чтобы на него герметично установить алюминиевую погодную насадку во избежание попадания воды.



- 90° отвод сокращает возможную полную длину трубы на 1 метр.
- 45° отвод сокращает возможную полную длину трубы на 0,5 метра.
- Первый отвод в 90° не учитывается при подсчете максимально допустимой длины.

Закрепите всасывающие трубы двумя оцинкованными саморезами Ø 4,2 мм и длиной не более 19 мм. Если саморезы не включены в комплект поставки, приобретите самостоятельно и используйте саморезы с указанными характеристиками.



Перед затяжкой винтов убедитесь, что труба вставлена в прокладку минимум на 45 мм от конца (см. рисунки в конце руководства в приложении "SECTION" D).



Минимальный наклон трубы к котлу должен составлять 5 см на метр длины.



НЕКОТОРЫЕ ПРИМЕРЫ МОНТАЖА ДЫМОХОДА И ДОПУСТИМАЯ ДЛИНА УКАЗАНЫ В КОНЦЕ РУКОВОДСТВА В ПРИЛОЖЕНИИ "SECTION" D.

10.1.1 СИСТЕМА ОТВОДА ПРОДУКТОВ СГОРАНИЯ С43Р

Коллективный дымоход с положительным давлением для котлов с закрытой камерой сгорания

II Данная система используется только в случае котлов, работающих на природном газе (G20)

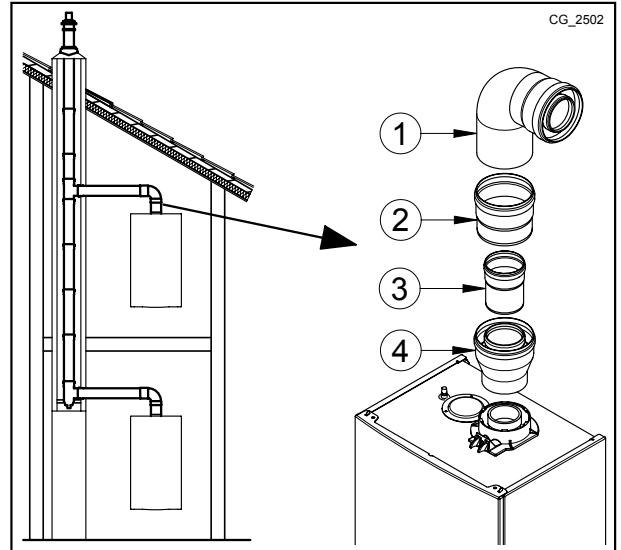
При подключении котла к коллективному дымоходу С43Р необходимо в обязательном порядке установить обратный клапан.

Размеры дымохода установлены его поставщиком в соответствии со стандартом EN 13384-2.

1	Отвод 90° Ø 80/125 мм
2	Труба Ø 80/125 мм
3	Обратный клапан Ø 80 мм
4	Переходник Ø 60/100 -> 80/125 мм

При использовании данной системы отвода дымовых газов необходимо изменить параметры P71 и P72 электронной платы согласно приведенной далее таблице (см. также СЕРВИСНУЮ инструкцию).

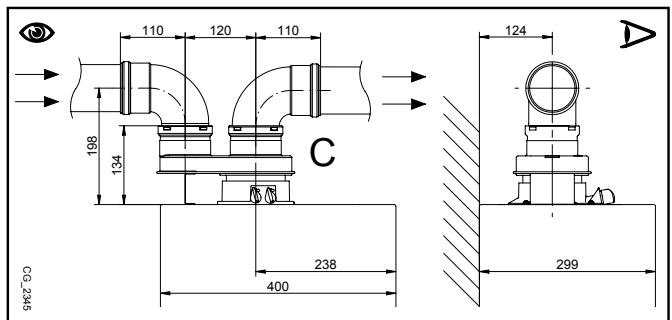
После изменения параметров выполните калибровку котла согласно указаниям руководства для СЕРВИСА.



Модель	P72	P71
	Qmin - Давление в дымоходе 25 Па	Qmax - Давление в дымоходе 86 Па
MPX 24 - MPX 20/24 MI	85	130
MPX 24/28 MI	85	185
MPX 28/33 MI	85	180

10.2 РАЗДЕЛЬНЫЕ ДЫМОХОДЫ

В особых случаях для монтажа дымохода и воздуховода можно использовать единый разделительный комплект (С), который поставляется как опция. Данный аксессуар дает возможность присоединять трубы дымоотвода и подачи воздуха в любом направлении благодаря возможности их поворота на 360°. Этот тип дымохода позволяет отводить продукты сгорания как наружу за пределы здания, так и в коллективный дымоход. Приток воздуха для горения может осуществляться со стороны, отличной от той, куда выходит дымоход. Разделительный комплект крепится на верхний дымоходный патрубок (100/60 мм) котла и обеспечивает отвод дымовых газов и приток воздуха для горения по двум отдельным трубам (80 мм). Более подробная информация представлена в инструкции к аксессуару.



90° отвод позволяет присоединять котел к дымоходу-воздуховоду в любом направлении, адаптируясь к различным требованиям. Кроме того, он может использоваться в качестве дополнительного в сочетании с трубой или с 45° отводом.

- 90° отвод сокращает возможную полную длину трубы на 0,5 метра.
- 45° отвод сокращает возможную полную длину трубы на 0,25 метра.
- Первый отвод в 90° не учитывается при подсчете максимально допустимой длины.

II НЕКОТОРЫЕ ПРИМЕРЫ МОНТАЖА ДЫМОХОДА И ДОПУСТИМАЯ ДЛИНА УКАЗАНЫ В КОНЦЕ РУКОВОДСТВА В ПРИЛОЖЕНИИ "SECTION" D.

Раздел УСТАНОВЩИК (ru)

11. ЭЛЕКТРИЧЕСКИЕ СОЕДИНЕНИЯ

Электробезопасность котла гарантируется только при правильном заземлении в соответствии с действующими нормативной документацией. С помощью прилагаемого трехжильного кабеля подключите котел к однофазной сети переменного тока 230 В с заземлением, соблюдая полярность фаза-нейтраль.

Используйте двухполюсный выключатель с разомкнутыми контактами не менее 3 мм.

В случае замены кабеля питания должен быть использован кабель "HAR H05 VV-F" 3x0,75 мм² с максимальным диаметром 8 мм. В клеммную колодку встроены быстрые плавкие предохранители на 2 А (для их проверки или замены выньте черный держатель предохранителя).

Чтобы получить доступ к клеммным колодкам **M1** и **M2**, предназначенным для электрических соединений, поверните панель управления вниз и снимите защитную крышку.



Убедитесь, что потребляемая мощность всех устройств, подсоединенных к аппарату, не превышала 2А. Если она выше, между данными устройствами и электронной платой котла следует разместить реле.



Клеммная колодка **M1** находится под высоким напряжением. Перед выполнением соединений убедитесь, что оборудование обесточено.

КЛЕММНАЯ КОЛОДКА M1

(L) = Фаза (коричневый)

(N) = Нейтраль (голубой).

⊕ = Заземление (желто-зеленый).

(1) (2) = контакт для комнатного термостата.



Необходимо удалить перемычку между клеммами 1-2 клеммной колодки **M1** котла в случае, когда не используется комнатный термостат или когда не подсоединен пульт дистанционного управления, поставляемый как дополнительный аксессуар.

КЛЕММНИК M2

Клеммы 1 - 2: подсоединение пульта дистанционного управления (низковольтного), поставляемого по запросу.

Клеммы 4 - 5: подключение датчика уличной температуры (поставляется по запросу).

Клеммы 3-6-7-8: не используются.

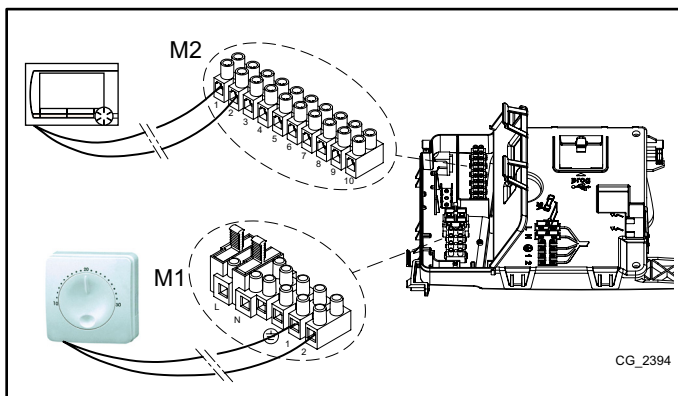
Клеммы 9-10: подключение датчика бойлера горячей воды.



Если котел подключен к системе тёплых полов, монтажник должен установить термостат безопасности, для защиты системы от перегрева.



Для подключения кабелей к клеммным колодкам, используйте специальные отверстия, имеющиеся в нижней части котла.



11.1 ПОДКЛЮЧЕНИЕ КОМНАТНОГО ТЕРМОСТАТА



Соединения, имеющиеся на клеммной колодке **M1** имеют высокое напряжение (230 В). Перед соединением проверьте, что оборудование не подключено к электропитанию. Убедитесь в соблюдении правильной полярности L (ФАЗА) - N (НЕЙТРАЛЬ).

Для подключения комнатного термостата к котлу действовать, как описано ниже:

- отключить электрическое питание котла;
- получить доступ к клеммнику **M1**;
- снять перемычку с контактов 1-2 и подсоединить провода комнатного термостата;
- подать электропитание к котлу и проверить, что комнатный термостат работает нормально.

11.2 АКСЕССУАРЫ, КОТОРЫЕ НЕ ВКЛЮЧЕНЫ В КОМПЛЕКТ ПОСТАВКИ

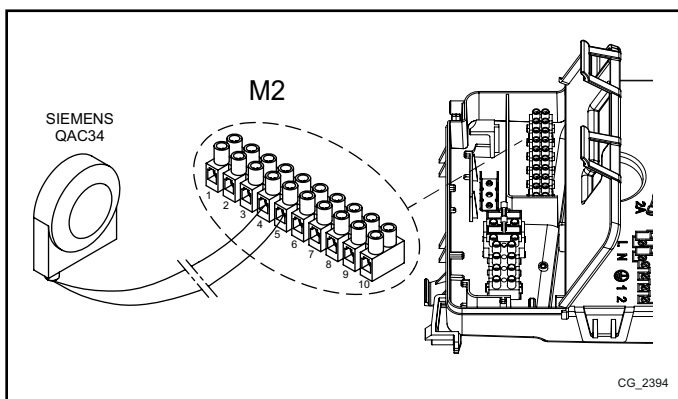
11.2.1 ДАТЧИК УЛИЧНОЙ ТЕМПЕРАТУРЫ

Подключение датчика выполняется в соответствии с приведенным рядом рисунком (клеммы 4-5) и с инструкциями к датчику.

УСТАНОВКА КЛИМАТИЧЕСКОЙ КРИВОЙ "Kt"



Когда к котлу подключен датчик уличной температуры, электронная плата регулирует температуру воды на подаче в зависимости от заданного коэффициента **Kt**. При помощи кнопок выберите нужную кривую (от 00 до 90), используя график, приведенный в приложении SECTION E.

ОБОЗНАЧЕНИЯ НА ГРАФИКЕ - "SECTION" E



	Температура подачи		Уличная температура
--	--------------------	--	---------------------

11.2.2 ВНЕШНИЙ БОЙЛЕР







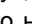
Котел снабжен всеми электрическими компонентами, необходимыми для подключения внешнего бойлера. Схема гидравлического подключения бойлера приведена на рисунке в приложении "SECTION" F. Подсоедините датчик приоритета ГВС к клеммам 9-10 клеммной колодки M2. Чувствительный элемент датчика вставляется в специальную гильзу, расположенную внутри бойлера. Убедитесь, что мощность теплообмена на змеевике бойлера соответствует мощности котла. Температура горячей бытовой воды (+35°C...+60°C) устанавливается с помощью кнопок  .




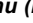




ВАЖНО: установите параметр P03 = 05, как описано в главе 14.

12. СПЕЦИАЛЬНЫЕ ФУНКЦИИ

12.1 ПЕРВЫЙ ПУСК

При первом пуске котла необходимо выполнить описанные ниже действия. После подачи на котел электропитания на дисплее появляется код "000", аппарат готов к "первому пуску".


- Нажмите одновременно и удерживайте нажатыми в течение 6 секунд кнопки  ; на дисплее появляется надпись "On", которая по истечении 2 секунд сменяется кодом "312". Последний указывает, что функция **удаления воздуха из системы** включена. Данная функция длится 10 минут.
- По завершении функции котел включается и на дисплее появляется код "000", значение пусковой мощности (в %) чередуется со значением температуры подачи отопления (в °C). На этой стадии посредством **функции распознавания типа газа**, длящейся приблизительно 7 минут, анализируется тип используемого газа. На протяжении данной функции обеспечьте максимальный теплообмен в режиме отопления или производства горячей бытовой воды (запрос горячей воды) для предотвращения отключения котла из-за перегрева.
- Если к котлу подведен природный газ, то на дисплее в течение приблизительно 10 секунд отображается символ **NG**. Теперь котел готов к нормальной работе. Если дисплей отображает символ **LPG**, нажмите одновременно и удерживайте нажатыми в течение не менее 4 секунд кнопки  и  для выхода из функции без изменения заводских настроек.
- Если котел работает на пропане, то на дисплее появляется символ **LPG**. Нажимайте в течение не менее 6 секунд кнопку  для подтверждения типа используемого газа. Если тип газа не распознан и на дисплее отображается символ **NG**, то нажмите одновременно и удерживайте нажатыми в течение не менее 4 секунд кнопки  и , чтобы выйти из функции, затем измените параметр **P02=01**, действуя согласно указаниям главы "НАСТРОЙКА ПАРАМЕТРОВ" руководства по эксплуатации котла.

 Если функция удаления воздуха или распознавания типа газа была прервана из-за прекращения подачи электропитания, то после восстановления питания необходимо повторно включить функцию путем одновременного нажатия кнопок   в течение не менее 6 секунд. Если во время выполнения функции удаления воздуха на дисплее выводится неисправность E118 (низкое давление в гидравлическом контуре), то необходимо восстановить давление при помощи крана подпитки котла. При прерывании функции распознавания газа по причине какой-либо неисправности (например, E133 – отсутствие газа) выполните сброс нажатием кнопки , затем одновременно нажмите в течение не менее 6 секунд кнопки   для повторного включения функции. Если функция распознавания газа прерывается из-за перегрева, то для ее перезапуска нажимайте одновременно в течение не менее 6 секунд кнопки  .

Производитель выпускает данный котел протестированным и отрегулированным для работы на ПРИРОДНОМ газе.

В течение работы функции распознавания газа соотношение воздух-газ при горении увеличивается на небольшой промежуток времени.





При первом включении внутри трубы подачи газа могут образоваться воздушные пробки. В таких случаях горелка не будет включаться и произойдет блокировка котла. Рекомендуется, в этом случае, повторить операцию зажигания, до поступления газа в горелку. Для восстановления работы котла, нажмите кнопку  и удерживайте в течение 2 секунд.



Первые включения котла после установки могут оказаться не идеальными, поскольку системе необходимо время на адаптацию (самообучение).

12.2 ФУНКЦИЯ УДАЛЕНИЯ ВОЗДУХА ИЗ СИСТЕМЫ ОТОПЛЕНИЯ





Эта функция позволяет упростить удаление воздуха из отопительного контура после установки котла или после проведения обслуживания, для которого потребовалось слить воду из первичного теплообменника.

Для включения функции дегазации системы одновременно нажмите на кнопки   на 6 секунд. Когда функция включена, на дисплее на несколько секунд появится надпись **On**, а затем - командная строка **312**.

Электронная плата активирует циклическое включение/выключение циркуляционного насоса на протяжении 10 минут. Функция автоматически выключится в конце цикла. Чтобы вручную выйти из этого режима, нажмите еще раз вместе кнопки указанные выше в течение 6 секунд.

12.3 ФУНКЦИЯ ОЧИСТКИ ДЫМОХОДА

Эта функция выводит котел на **максимальную мощность** в режиме отопления. После ее включения можно отрегулировать мощность работы котла (в %, от минимальной до максимальной) и на горячее водоснабжение. Порядок действий следующий:

- Нажмите одновременно кнопки   и удерживайте их нажатыми не менее 6 секунд. Когда функция активируется, на дисплее появится на несколько секунд надпись "On" затем появится строчка программы "303", чередующаяся с показателем % мощности котла.
- Кнопками   постепенно настройте мощность (шаг – 1%).
- Для выхода нажмите кнопки одновременно и удерживайте их не менее 6 секунд, как описано в первом пункте.



При нажатии на кнопку  в течении 15 секунд отображается значение температуры на подаче.

12.4 КОНТРОЛЬ ПРОДУКТОВ СГОРАНИЯ

Для правильной работы котла содержание CO_2 (O_2) в дымовых газах должно соответствовать данным, приведенным в следующей таблице. Если выявленное содержание CO_2 (O_2) выходит за пределы табличных допусков, проверьте целостность электродов и расстояние между ними. При необходимости замените электроды и убедитесь в их правильной установке. Если проблема не решается, используйте описанную далее функцию.

		G20		G31	
		CO_2 %	O_2 %	CO_2 %	O_2 %
Максимальная мощность	Номинальное значение	8,7	5,4	10,0	6,0
	Допустимые значения	8,2 - 9,3	6,3 - 4,3	9,5 - 10,5	6,8 - 5,2
Пусковая мощность	Номинальное значение	8,7	5,4	10,8	4,8
	Допустимые значения	8,2 - 9,3	6,3 - 4,3	10,3 - 11,3	5,5 - 4,1
Минимальная мощность	Номинальное значение	8,8	5,2	10,0	6,0
	Допустимые значения	8,2 - 9,3	6,3 - 4,3	9,5 - 10,5	6,8 - 5,2



Для измерения газового состава продуктов сгорания используйте надлежащим образом откалиброванный газоанализатор.



При нормальной работе котел выполняет автоматический контроль продуктов сгорания. На этой стадии содержание CO на короткий промежуток времени может превысить значение в 1000 миллионных долей.

ФУНКЦИЯ РЕГУЛИРОВАНИЯ СОСТАВА ПРОДУКТОВ СГОРАНИЯ (CO_2 %)

Целью данной функции является частичное регулирование содержания CO_2 % в продуктах сгорания. Выполните следующие действия:

- Нажмите одновременно кнопки $\text{M}+$ и I/P и удерживайте их нажатыми не менее 6 секунд. После включения функции на дисплее в течение нескольких секунд отображается надпись "On", затем появляется строка программы "304", которая сменяется с показателем мощности котла в %.
- После розжига горелки котел выходит на максимальную мощность в режиме ГВС (100). Когда на дисплее появляется "100", можно приступить к частичной регулировке значения CO_2 %.
- Нажмите кнопку I/P , на дисплее попеременно отображаются значение "00" и номер функции "304" (символ Δ мигает).
- Кнопками $\text{M}-$ и $\text{M}+$ уменьшите или увеличьте содержание CO_2 (от -3 до +3).
- Нажмите кнопку I/P для сохранения новой настройки, после этого на дисплее снова отображается значение мощности "100" (котел продолжает работать на максимальной мощности в режиме ГВС).

Таким же образом можно отрегулировать содержание CO_2 при работе котла на **пусковой мощности** и на **минимальной мощности**, используйте для этого кнопки $\text{M}-$ и $\text{M}+$ (после пункта 5 описанной выше последовательности действий).

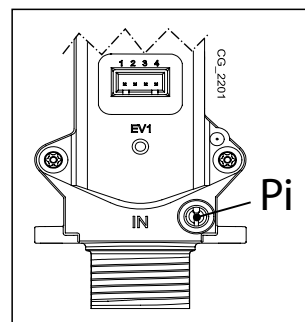
- После сохранения нового значения (пункт 5) нажмите кнопку $\text{M}-$ для вывода котла на **пусковую мощность**. Подождите, пока значение CO_2 стабилизируется, и выполните регулировку согласно указаниям пункта 4 описанной последовательности действий (значение мощности выражено числом $<> 100$ и $<> 0$), сохраните новое значение (пункт 5).
- Снова нажмите кнопку $\text{M}-$ для вывода котла на **минимальную мощность**. Подождите, пока значение CO_2 стабилизируется, и выполните регулировку согласно указаниям пункта 4 описанной последовательности действий (значение мощности = 00).
- Для выхода из функции нажимайте одновременно в течение не менее 6 секунд кнопки, указанные в пункте 1.

13. ГАЗОВЫЙ КЛАПАН

Этот котел не требует никакой механической регулировки газового клапана. Автоматическую регулировку обеспечивает электроника.

Обозначения на рисунке

Pi
Точка измерения входного давления газа



13.1 ПОРЯДОК ПЕРЕВОДА КОТЛА НА ДРУГОЙ ТИП ГАЗА




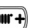

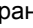

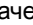
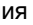
Перевод котла с **ПРИРОДНОГО** газа на **СЖИЖЕННЫЙ** и наоборот должен выполняться только квалифицированными специалистами сервисного центра. Для выполнения регулировки необходимо настроить параметр **P02** согласно указаниям главы "НАСТРОЙКА ПАРАМЕТРОВ". Необходимо также проверить продукты сгорания согласно указаниям главы "СПЕЦИАЛЬНЫЕ ФУНКЦИИ - КОНТРОЛЬ ПРОДУКТОВ СГОРАНИЯ".



После перевода котла на другой тип газа укажите на паспортной табличке тип используемого газа.

14. НАСТРОЙКА ПАРАМЕТРОВ

Для программирования параметров электронной платы котла, выполните следующие действия:


- Одновременно нажмите кнопки   и удерживайте в течение 6 секунд, пока на дисплее не отобразится строка программы "P01", чередующаяся с выставленным параметром.
- Используйте кнопки   для прокрутки списка параметров.
- Нажмите кнопку , значение выбранного параметра начинает мигать, нажмите кнопки   для изменения значения.
- Нажмите кнопку  для подтверждения значения или кнопку  для выхода без сохранения изменений.



Более подробная информация о параметрах, перечисленных в следующей таблице, входит в поставку вместе с необходимыми опциями.



Если прибор подключен к системе, размещенной под полом, установите для параметра P16 (Котла) или P15 (Пульт. дист. управл.) значение 01.

Котла	Пульт.дист. управл.* 	ОПИСАНИЕ ПАРАМЕТРОВ	НАСТРОЙКИ ПО УМОЛЧАНИЮ			
			24	20/24 MI	24/28 MI	28/33 MI
P01	P00	Информация производителя	01			
P02	P01	Тип используемого газа 00 = МЕТАН, 01 = СЖИЖЕННЫЙ ГАЗ	00			
P03	P02	Тип котла (по гидравлической системе) 00 = проточный котел 03 = проточный котел с функцией предварительного подогрева 05 = котел с внешним бойлером 08 = одноконтурный котел	08	00	00	00
P04	P03	Настройка программируемого реле 1 (см. СЕРВИСНУЮ инструкцию)	02			
P05	P04	Настройка программируемого реле 2 (см. СЕРВИСНУЮ инструкцию)	04			
P06	P05	Конфигурация входа датчика уличной температуры (см. СЕРВИСНУЮ инструкцию)	00			
P07..P09	P06..P08	Информация производителя	--			
P10	P09	Установка температуры системы отопления (Пульт дистанционного управления - Open Therm / Комнатный термостат 230 В~) 00 = используется установка температуры, заданная с пульта дистанционного управления 01 = используется наиболее высокая установка температуры из заданных через пульт дистанционного управления или РСВ 02 = используется установка температуры, заданная с пульта дистанционного управления. Комнатный термостат включает/отключает работу котла.	00			
P11..P12	P10..P11	Информация производителя	--			
P13	P12	Макс. мощность в режиме отопления (0-100%)	100	80	86	80
P14	P13	Макс. мощность в режиме ГВС (0-100%)	100			
P15	P14	Мин. мощность в режиме отопления (0-100%)	00			
P16	P15	Установка максимальной температуры (°C) системы отопления 00 = 85°C, 01 = 45°C	00			
P17	P16	Время постциркуляции насоса в режиме отопления (01-240 минут)	03			
P18	P17	Время ожидания перед новым включением в режиме отопления (00-10 минут) - 00=10 секунд	03			
P19	P18	Информация производителя	07			
P20	P19	Время постциркуляции насоса в режиме ГВС (в секундах)	30			
P21	P20	Функция «Антилегионелла»(°C) 00...54=выключена, 55...67=включена (устанавливается требуемая температура)	00			
P22	P21**	Информация производителя	00			
P23	P22	Максимальная установка температуры ГВС	60			
P24	P23	Информация производителя	35			
P25	P24	Устройство защиты от работы без воды	00			
P26..P31	P25..P30	Информация производителя	--			
P32..P41	P31..P40	Диагностика (см. СЕРВИСНУЮ инструкцию)	--			
P67	P66	Настройка Open Therm (OT) (см. СЕРВИСНУЮ инструкцию) 02 = Open Therm Standard	02			

* Версия модулирующего пульта дистанционного управления должна быть не ниже 2.8

** Невозможен доступ к настройкам установщика посредством модулирующего пульта дистанционного управления

Раздел УСТАНОВЩИК (ru)

14.1 РЕГУЛИРОВКА МАКСИМАЛЬНОЙ МОЩНОСТИ ОТОПЛЕНИЯ

Максимальная мощность котла в режиме отопления может быть уменьшена в зависимости от потребностей системы отопления. Далее приводится таблица со значениями параметра **P13** в зависимости от требуемой максимальной мощности для каждой модели котла.

Для изменения параметра **P13** действуйте согласно указаниям главы "НАСТРОЙКА ПАРАМЕТРОВ".

Модель котла - ПАРАМЕТР P13 (%) / Мощность в режиме отопления (kW)

kW	24	20/24 MI	24/28 MI	28/33 MI
3,5	0	0		
4	2	2	0	
5	7	7	4	0
6	12	12	8	4
7	17	17	13	7
8	22	22	17	11
9	27	27	21	14
10	32	32	25	18
12	41	41	33	25
14	51	51	42	32
16	61	61	50	39
18	71	71	58	46
20	80	80	67	54
22	90		75	61
24	100		86	68
26				75
28				80

15. ПОИСК И УСТРАНЕНИЕ НЕИСПРАВНОСТЕЙ СЕРВИСНЫМИ СПЕЦИАЛИСТАМИ

Неисправности, отражаемые на дисплее, определяются при помощи символа **E** и номера (код ошибки). Полный список неисправностей см. в следующей таблице.

Если на дисплее отображается символ неисправности **R**, пользователь должен нажать RESET (команда сброса). Для ПЕРЕЗАПУСКА котла нажмите и удерживайте нажатой в течение 2 секунд кнопку **ON/OFF**. В случае, если часто появляется символ данной неисправности, обратитесь в ближайший авторизованный сервисный центр.

E	Описание неисправности	Способы устранения сервисными специалистами
09	Неисправно подсоединение газового клапана	Проверьте соединения между газовым клапаном и электронной платой.
10	Неисправен уличный датчик	Проверьте датчик (*).
12	Дифференциальный гидравлический прессостат не переключает контакты.	Проверьте правильность работы прессостата и проводку.
13	Залипли контакты дифференциального гидравлического прессостата.	См. меры по устранению, указанные в пункте E12
15	Неисправно управление газовым клапаном.	Проверьте соединения между газовым клапаном и электронной платой. При необходимости замените электронную плату.
18	Происходит автоматическое заполнение гидравлического контура.	Дождитесь конца цикла заполнения.
19	Неисправность на стадии заполнения системы.	Проверьте кран заполнения системы.
20	Неисправен датчик температуры на подаче контура отопления	Проверьте датчик (**). Проверьте проводку датчика температуры на обрыв. Проверьте проводку на короткое замыкание.
28	Неисправен датчик тяги	Проверьте датчик температуры отходящих газов (***). Проверьте проводку датчика температуры на обрыв. Проверьте проводку на короткое замыкание.
40	Неисправен датчик температуры на возврате контура отопления	См. меры по устранению, указанные в пункте E20
50	Неисправен датчик температуры контура ГВС (только для одноконтурных котлов с внешним бойлером)	См. меры по устранению, указанные в пункте E20
53	Засорился дымоход	Проверьте дымоход на наличие засорений. Отключите на несколько секунд электропитание котла.
55	Электронная плата не настроена	Включите функцию автоматической калибровки, которая описана в инструкции по замене деталей.

83...87	Проблема сообщения между платой котла и блоком управления. Возможно короткое замыкание проводки.	Проверьте проводку, соединяющую комнатный модуль (термостат) и электронную плату, или радиосвязь.	
92	Неисправность в связи с продуктами сгорания на стадии калибровки (возможно наличие продуктов сгорания в забираемом воздухе)	Проверьте, нет ли продуктов сгорания в забираемом воздухе. Включите функцию автоматической калибровки, которая описана в разделе «ЕЖЕГОДНОЕ ТЕХОБСЛУЖИВАНИЕ. ЗАМЕНА ДЕТАЛЕЙ».	
109	Наличие воздуха в контуре котла (временная неполадка)	Проверьте работу насоса. Проверьте провода электропитания насоса.	
110	Срабатывание предохранительного термостата (возможно, заблокирован насос или имеется воздух в отопительном контуре).	Проверьте работу насоса. Проверьте провода электропитания насоса. Проверьте целостность предельного термостата и при необходимости замените его. Проверьте непрерывность проводки предохранительного термостата.	
117	Слишком высокое давление гидравлического контура (> 2,7 бар)	Проверьте, соответствует ли давление в системе предписанным значениям. См. раздел "ЗАПОЛНЕНИЕ СИСТЕМЫ".	
118	Слишком низкое давление гидравлического контура	Если давление в контуре отопления < 0,5 бар, увеличьте его путем открытия крана заполнения системы (см. раздел «ЗАПОЛНЕНИЕ СИСТЕМЫ»). Проверьте правильность работы гидравлического прессостата.	
125	Из-за недостаточной циркуляции сработала система безопасности. (проверка осуществляется при помощи температурного датчика)	См. меры по устранению, указанные в пункте E109.	
128	Потеря пламени	Проверьте целостность электрода детектора пламени и его положение (см. раздел ЕЖЕГОДНОЕ ТЕХОБСЛУЖИВАНИЕ – РАСПОЛОЖЕНИЕ ЭЛЕКТРОДОВ). Проверьте целостность провода и надежность его подсоединения к электроду-детектору пламени и блоку розжига. См. меры по устранению, указанные в пункте E92	
129	Срыв пламени при розжиге.	Проверьте целостность электрода детектора пламени и его положение (см. раздел ЕЖЕГОДНОЕ ТЕХОБСЛУЖИВАНИЕ – РАСПОЛОЖЕНИЕ ЭЛЕКТРОДОВ). Проверьте целостность провода и надежность его подсоединения к электроду-детектору пламени и блоку розжига. Проверьте, нет ли продуктов сгорания в забираемом воздухе.	
130	Срабатывание датчика тяги из-за перегрева	Проверьте теплообмен на первичном теплообменнике: возможно, вода циркулирует недостаточно или образовалась накипь. Проверьте датчик температуры отходящих газов (***).	
133	Нет розжига (5 попытки)	Проверьте, что клапан отсечения газа открыт и что в контуре подачи газа отсутствует воздух. Проверьте входное давление газа. Проверьте целостность провода и надежность его подсоединения к электроду-детектору пламени и блоку розжига. См. меры по устранению, указанные в пункте E92 Проверьте слив конденсата.	
134	Заблокирован газовый клапан.	Проверьте входное давление газа. Проверьте целостность электродов ионизации пламени и розжига, их положение и проводку (см. раздел ЕЖЕГОДНОЕ ТЕХОБСЛУЖИВАНИЕ – РАСПОЛОЖЕНИЕ ЭЛЕКТРОДОВ). При необходимости замените электронную плату.	
135	Внутренняя ошибка платы.	Замените электронную плату.	
154	Проверка датчиков на подаче и возврате.	См. меры по устранению, указанные в пункте E109.	
160	Неисправность в работе вентилятора	Проверьте правильность работы вентилятора. Проверьте, что провода питания вентилятора подключены к электронной плате.	
178	Сработал предохранительный термостат перегрева низкотемпературного контура	Проверьте правильность работы насоса и циркуляции воды в низкотемпературной системе. Проверьте провода электропитания насоса.	
317	162	Неправильная частота электропитания	Установите причину неправильной частоты питания, и если она не связана с котлом свяжитесь с поставщиком электроэнергии.
321	163	Неисправен датчик температуры контура ГВС	См. меры по устранению, указанные в пункте E20

384	164	Паразитное пламя (внутренняя неполадка)	Проверьте правильность работы газового клапана.
385	165	Слишком низкое напряжение питания	Напряжение питания <175 В. Установите причину падения напряжения, и если она не связана с котлом свяжитесь с поставщиком электроэнергии.

(*) Уличный датчик температуры: значение сопротивления составляет около 1 кΩ при 25°C (сопротивление уменьшается с повышением температуры).

(**) Датчики температуры на подаче и возврате контура отопления и на контуре ГВС: значение сопротивления составляет около 10 кΩ при 25°C (сопротивление уменьшается с повышением температуры).

(***) Датчик температуры отходящих газов: значение сопротивления составляет около 20 кΩ при 25°C (сопротивление уменьшается с повышением температуры).



В случае наличия неполадки, включается подсветка дисплея, и на нем появляется код ошибки. Возможно выполнить 5 попыток сброса подряд, после чего котел будет заблокирован. Перед тем, как предпринять новую попытку сброса, необходимо подождать 15 минут.

16. УСТРОЙСТВА ДЛЯ РЕГУЛИРОВАНИЯ И БЕЗОПАСНОСТИ

Котел спроектирован в полном соответствии с европейскими нормами и содержит следующие устройства:

• Предохранительный термостат

Благодаря датчику, установленному на выходной трубе первичного теплообменника, в случае перегрева воды первичного контура прекращается подача газа в горелку.



Запрещается отключать данное предохранительное устройство.

• Датчик тяги (датчик температуры отходящих газов)

Этот прибор устанавливается на первичном теплообменнике. Электронная плата блокирует приток газа к горелке в случае слишком высокой температуры.



Запрещается отключать данное предохранительное устройство.

• Датчик ионизации пламени

Электрод для определения наличия пламени гарантирует безопасность работы при отсутствии газа и при неполном горении основной горелки. В данных условиях котел блокируется.

• Гидравлическое реле давления

Данное устройство обеспечивает включение основной горелки только при условии давления установки выше 0,5 бар.

• Постциркуляция насоса

Электронная система управления продолжает работу насоса в контуре отопления в течение трех минут после того как термостат комнатной температуры отключил главную горелку.

• Устройство защиты от замерзания

Электронная система управления котла имеет функцию защиты «от замерзания» в контуре отопления и ГВС, которая при температуре воды на подаче ниже 5°C включает горелку до достижения на подаче температуры, равной 30°C. Данная функция работает, если к котлу подключено электричество, кран подачи газа открыт и если давление в системе соответствует предписанному.

• Защита от блокировки насоса

Если котел не работает в течение 24 часов подряд (на контур отопления и/или подогрева воды), насос автоматически включается на 10 секунд.

• Защита от блокировки трехходового клапана

Если котел не работает на контур отопления в течение 24 часов подряд, трехходовой клапан осуществляет одно полное переключение.

• Гидравлический предохранительный клапан (контур отопления)

Этот клапан настроен на давление 3 бар и установлен в системе отопления. Рекомендуется присоединить предохранительный клапан к сифонному сливу. Категорически воспрещается использовать его для слива воды из системы отопления.

• Предварительная циркуляция насоса отопления

В случае запроса работы на отопление оборудование может выполнять предварительную циркуляцию насоса перед тем, как включать горелку. Продолжительность этого цикла предварительной циркуляции зависит от условий монтажа и температуры работы и изменяется от нескольких секунд до нескольких минут.

17. ХАРАКТЕРИСТИКИ РАСХОДА/НАПОРА

Используемый насос – высоконапорный, модулирующего типа и подходит для установки как в однотрубной, так и в двухтрубной системе отопления. Встроенный в него автоматический клапан-воздухоотводчик позволяет эффективно удалять находящийся в отопительной системе воздух.

ОБОЗНАЧЕНИЯ НА ГРАФИКАХ НАСОСА - "SECTION" E

Q	РАСХОД	MIN	Минимальная скорость модуляции
H	НАПОР	MAX	Максимальная скорость модуляции

18. ЕЖЕГОДНОЕ ТЕХОБСЛУЖИВАНИЕ



Дождитесь охлаждения камеры сгорания и труб.



Перед выполнением любых операций отключить электропитание котла. По завершению технического осмотра установить параметры работы котла в начальные позиции.



Чистку котла нельзя выполнять абразивными, едкими или легковоспламеняющимися средствами (такими как бензин, ацетон и т.п.).

Для правильной и надежной работы котла необходимо ежегодно проверять:

- Внешний вид и непроницаемость прокладок газового контура и камеры сгорания. Замените поврежденные прокладки новыми оригинальными прокладками;
- Состояние и правильное положение электрода зажигания и электрода-датчика пламени;
- Состояние горелки и ее крепление к алюминиевому фланцу;
- Отсутствие грязи внутри камеры сгорания. Для чистки используйте пылесос;
- Давление в системе отопления;
- Давление в расширительном баке;
- Правильную работу вентилятора;
- Отсутствие загрязнений внутри дымохода и воздуховода;
- Отсутствие грязи в сифоне (для конденсационных котлов);
- Целостность магниевых анодов, при его наличии (для котлов, оснащенных бойлером).



Для слива воды из сифона и его очистки не рекомендуется использовать крышку, расположенную на дне. Выньте сифон из котла и промойте его струей воды. Заполните сифон чистой водой и установите его на место, обеспечив герметичность и надежность всех соединений.

18.1 ПАРАМЕТРЫ ГОРЕНИЯ ГАЗА

Для контроля эффективности горения и качества отходящих газов котлы имеют две точки замера. Одна из них находится в дымоходном канале (А) и позволяет контролировать соответствие отходящих газов гигиеническим нормам и эффективность горения. Вторая точка замера находится на трубе забора воздуха (В) и позволяет определить наличие продуктов сгорания в забираемом воздухе при использовании коаксиальной системы труб. В точке замера в дымовом канале определяют следующие параметры:

- температуру продуктов сгорания;
- содержание кислорода (O_2) или двуокиси углерода (CO_2);
- содержание окиси углерода (CO).

Температуру сгораемого воздуха можно измерить на розетке, имеющейся на контуре воздуховода (В), вставив измерительный датчик примерно на 8 см (С).



Для включения функции "ТРУБОЧИСТ" см. главу 12.3.

18.2 ГИДРАВЛИЧЕСКИЙ УЗЕЛ

В регионах, где жесткость воды выше значения $20\text{ }^\circ\text{F}$ ($1^\circ\text{F} = 10\text{ мг карбоната кальция на 1 литр воды}$), рекомендуем установить полифосфатный дозатор или сходный умягчитель воды, который соответствует действующим нормам.

ОБОЗНАЧЕНИЯ НА РИСУНКЕ - "SECTION" E

A	Винт крепления теплообменника ГВС
B	Датчик приоритета ГВС с фильтром
C	Кран слива воды из котла / системы (C-1 и C-2: доступ к крану C - снизу котла)
D	Кран заполнения котла / системы
E	Датчик температуры горячей воды
F	Датчик давления воды в контуре отопления

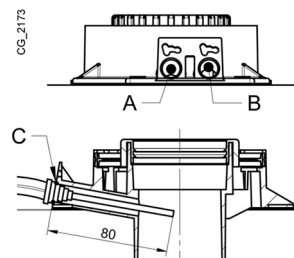
18.2.1 ОЧИСТКА ФИЛЬТРА ХОЛОДНОЙ ВОДЫ

В гидравлическом узле котла (В) установлен фильтр для холодной воды . Чтобы очистить его, выполните следующее:

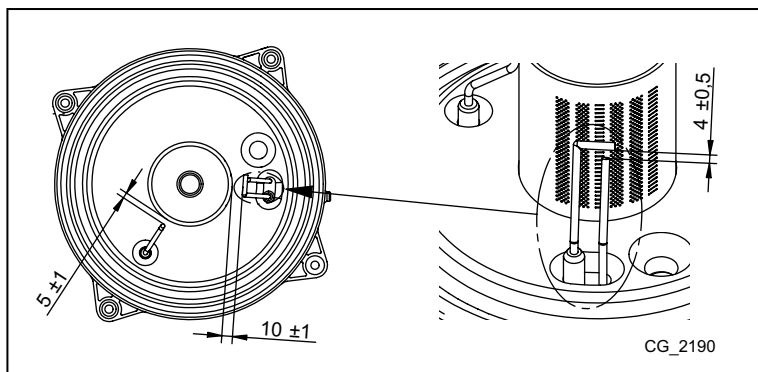
- Слейте воду из контура ГВС.
- Отвинтите гайку на узле датчика приоритета ГВС.
- Выньте датчик вместе с фильтром.
- Удалите загрязнения.



При замене или чистке кольцевых прокладок "OR" для смазки не использовать других средств, кроме Molykote 111.



18.3 РАСПОЛОЖЕНИЕ ЭЛЕКТРОДОВ



18.4 ЗАМЕНА ДЕТАЛЕЙ

В случае замены одной или нескольких из следующих деталей:




- первичного теплообменника,
- вентилятора,
- газового клапана,
- газовой форсунки,
- горелки,
- электрода ионизации пламени –

необходимо включить функцию автоматической калибровки (описана далее), а затем проверить и при необходимости отрегулировать содержание $\text{CO}_2\%$ в продуктах сгорания, как описано в главе «ФУНКЦИЯ РЕГУЛИРОВАНИЯ СОСТАВА ПРОДУКТОВ СГОРАНИЯ ($\text{CO}_2\%$)».




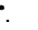
При выполнении любых обслуживающих или ремонтных работ на котле рекомендуется проверять целостность и положение ионизационного электрода и в случае неисправности заменить его.



ФУНКЦИЯ АВТОМАТИЧЕСКОЙ КАЛИБРОВКИ




Нажмите одновременно и удерживайте нажатыми не менее 6 секунд кнопки  ; когда на дисплее появится надпись "On", нажмите кнопку  (не позднее 3 секунд после нажатия предыдущих кнопок).



Если на дисплее высвечивается надпись "303", то функция автоматической калибровки не включилась. Обесточьте котел на несколько секунд и повторите действия, описанные выше.

Когда функция включена, на дисплее отображаются мигающие символы   .

После последовательности операций по включению, которое может потребовать нескольких попыток, котел выполняет три операции (каждая продолжительностью около 1 минуты): выходит на максимальную мощность, затем на пусковую и под конец на минимальную. Перед каждым переходом к следующей стадии (от максимальной мощности к пусковой и затем к минимальной) на дисплее в течение нескольких секунд высвечиваются символы  . На этой стадии дисплей отображает попеременно достигнутую котлом мощность и температуру подачи.

Одновременное мигание символов    на дисплее свидетельствует о завершении функции калибровки.

Для выхода из функции нажмите кнопку  на дисплее высвечивается надпись **ESC**.

19. ДЕМОНТАЖ И УТИЛИЗАЦИЯ



Только квалифицированные специалисты имеют право проводить работы в отношении котла и всей системы в целом.

Перед демонтажем котла проверить, что электропитание отключено, газовый кран закрыт и все присоединения котла и отопительной системы надежно защищены.

Утилизацию котла производить в соответствии с действующими законами, нормами и правилами. Запрещается выбрасывать котел и аксессуары вместе с другими бытовыми отходами.

Более 90% материалов, из которых изготовлен котел, подлежат вторичной переработке.

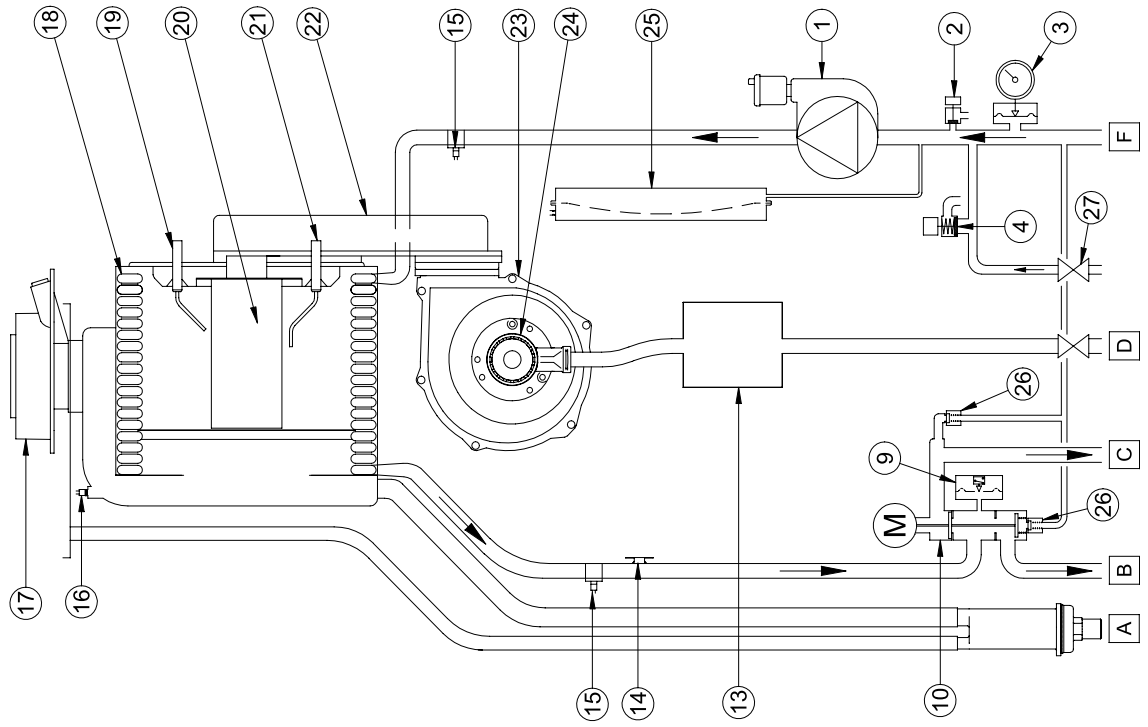
20. ТЕХНИЧЕСКИЕ ХАРАКТЕРИСТИКИ

Модель: МРХ		24 COMPACT	20/24 MI COMPACT	24/28 MI COMPACT	28/33 MI COMPACT
Категория		II _{2H3P}			
Тип газа	-	G20 - G31			
Макс. потребляемая тепловая мощность (ГВС)	кВт	-	24,7	28,9	34,0
Макс. потребляемая тепловая мощность (отопление)	кВт	24,7	20,6	24,7	28,9
Мин. потребляемая тепловая мощность	кВт	3,5	3,5	3,9	4,8
Макс. полезная тепловая мощность (ГВС)	кВт	-	24,0	28,0	33,0
Макс. полезная тепловая мощность при 80/60 °С	кВт	24,0	20,0	24,0	28,0
Макс. полезная тепловая мощность при 50/30 °С	кВт	26,1	21,8	26,1	30,6
Мин. полезная тепловая мощность при 80/60 °С	кВт	3,4	3,4	3,8	4,7
Мин. полезная тепловая мощность при 50/30 °С	кВт	3,7	3,7	4,1	5,1
Номинальный КПД 80/60 °С	%	97,6	97,7	97,7	97,7
Номинальный КПД 50/30 °С	%	105,7	105,8	105,8	105,8
КПД 30% Pn	%	108,8	108,8	108,8	108,9
Макс. давление воды отопительного контура	бар	3			
Мин. давление воды отопительного контура	бар	0,5			
Объем расширительного бака	л	7			
Минимальное давление в расширительном баке	бар	0,8			
Макс. давление воды в контуре ГВС	бар	-	8,0	8,0	8,0
Мин. динамическое давление воды в контуре ГВС	бар	-	0,15	0,15	0,15
Минимальный расход воды в контуре ГВС	л/мин	-	2,0	2,0	2,0
Производство горячей воды при ΔТ = 25 °С	л/мин	-	13,8	16,1	18,9
Производство горячей воды при ΔТ = 35 °С	л/мин	-	9,8	11,5	13,5
Удельный расход "D" (EN 13203-1)	л/мин	-	11,5	13,4	15,8
Диапазон температуры воды в контуре отопления	°С	25+80			
Диапазон температуры воды в контуре ГВС	°С	35+60			
Тип дымохода	-	C13(x) - C33(x) - C43(x) - C43P - C53(x) C63(x) - C83(x) - C93(x) - B23 - B23P			
Диаметр коаксиального дымохода	мм	60/100			
Диаметр раздельного дымохода	мм	80/80			
Макс. массовый расход дымовых газов	кг/с	0,0012	0,012	0,014	0,016
Мин. массовый расход дымовых газов	кг/с	0,002	0,002	0,002	0,002
Макс. температура дымовых газов	°С	80			
Класс Nox 6	мг/кВт*ч	17,3	16,1	19,3	30,7
Входное давление природного газа 2Н	мбар	20			
Входное давление сжиженного газа (пропана) 3Р	мбар	37			
Напряжение электропитания	В	230			
Частота электрической сети	Гц	50			
Номинальная электрическая мощность	Вт	85	85	99	106
Вес нетто	кг	30	34	34	35
Размеры (высота/ширина/глубина)	мм	700/400/299			
Степень защиты от влаги (EN 60529)	-	IPX5D			
Сертификат ЕС 0085CL0214					

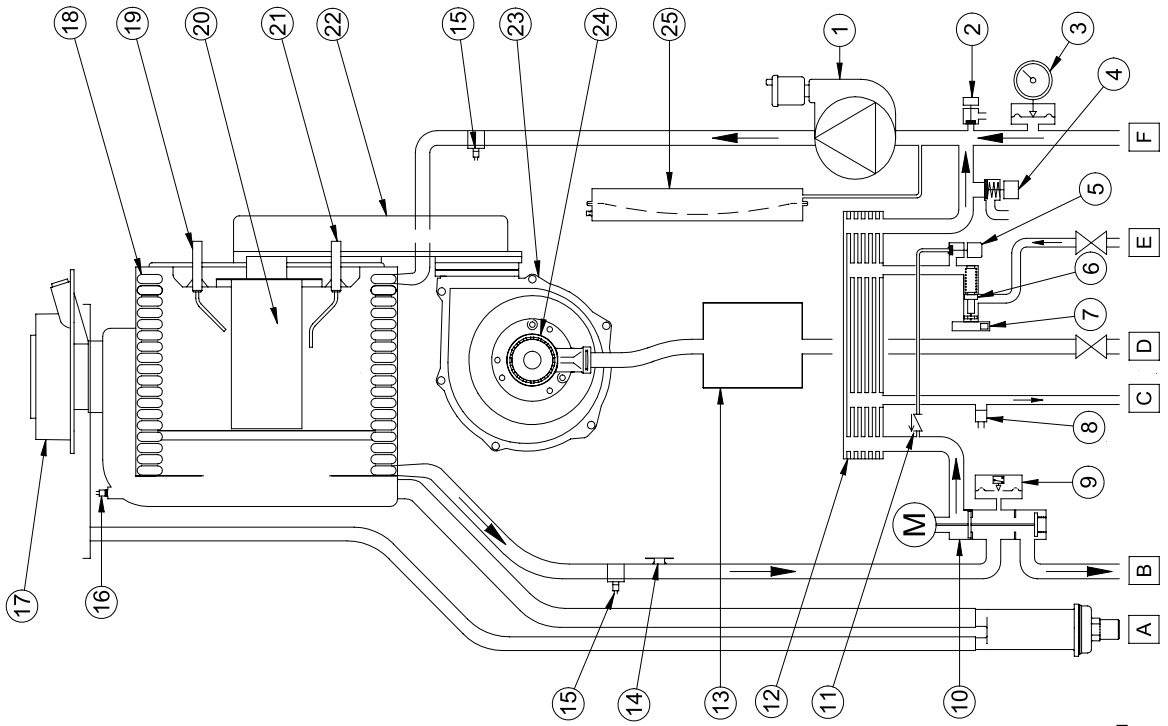
РАСХОД ГАЗА ПРИ РАБОТЕ (при Qmax и Qmin)

Qmax (G20) - 2Н	м³/ч	2,61	2,61	3,06	3,60
Qmin (G20) - 2Н	м³/ч	0,37	0,37	0,41	0,51
Qmax (G31) - 3P	кг/ч	1,92	1,92	2,25	2,64
Qmin (G31) - 3P	кг/ч	0,27	0,27	0,30	0,37

MPX 24



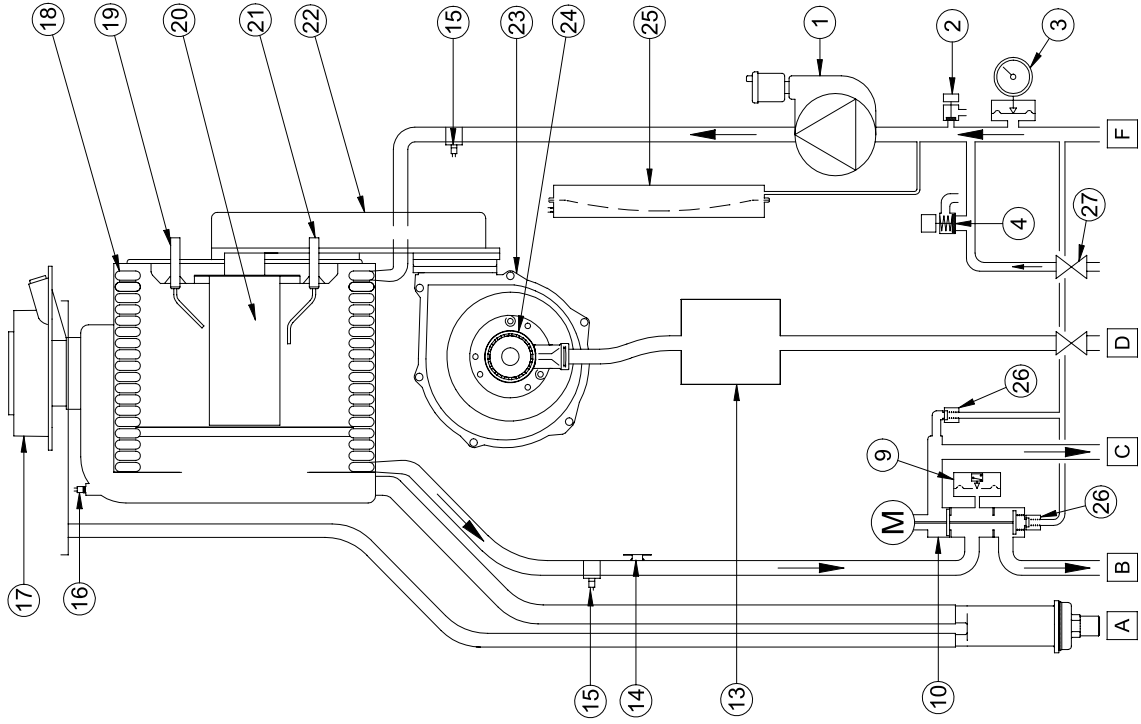
MPX 20/24 MI - MPX 24/28 MI - MPX 28/33 MI



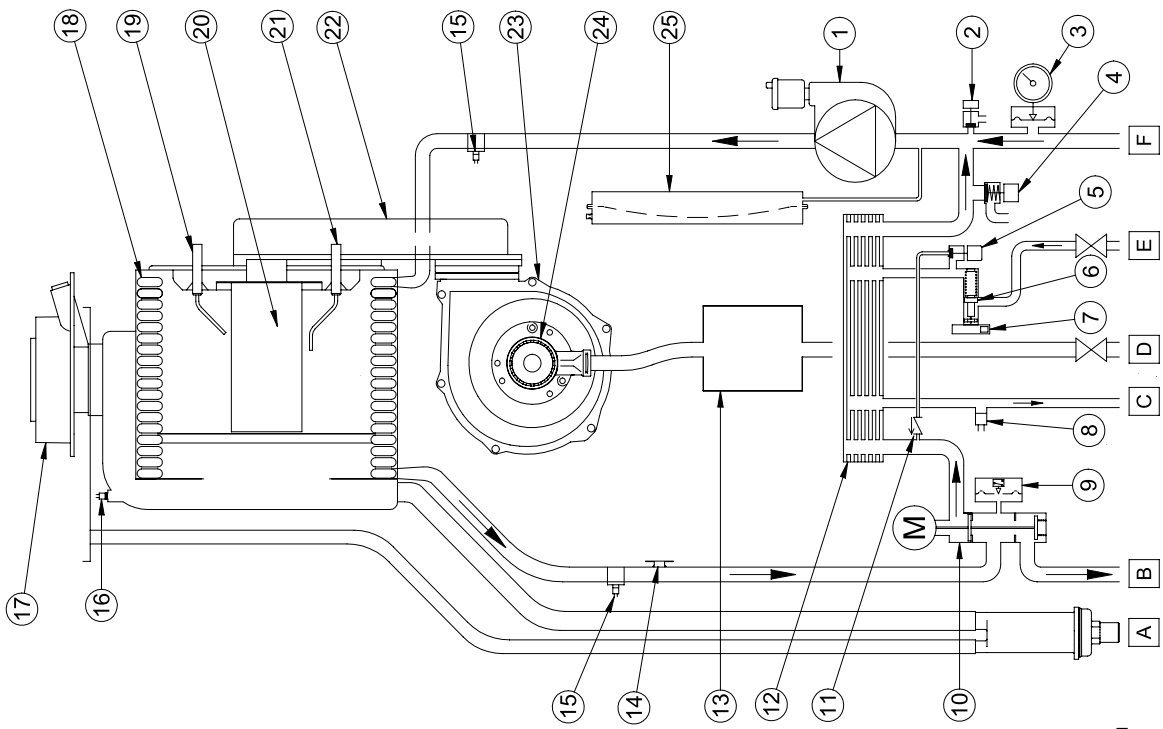
CG_2212

	en	pl	cs	sk
1	Pump with air separator	Pompa z separátorem powietrza	Čerpadlo se separátorem vzduchu	Čerpadlo so separátorm vzduchu
2	Boiler drain tap	Zawór spustowy kotła	Vypouštěcí ventil kotle	Vypouštěcí ventil kotla
3	Pressure gauge	Manometr	Manometr	Manometer
4	Hydraulic Safety valve	Hydraulický zawór bezpieczeństwa	Bezpečnostní hydraulický ventil	Bezpečnostný hydraulický ventil
5	Boiler filling tap	Zawór do napełniania kotła	Napouštěcí ventil systému	Napouštěcí ventil systému
6	Flow sensor with water filter and flow limiting device	Czujnik strumienia z filtrem i ogranicznikiem przepływu	Snímač proudu s filtrem a omezovačem průtoku	Snímač prúdenia s filtrom a obmedzovačom prietoku
7	DHW priority sensor	Czujnik przepływu c.w.u.	Snímač přednosti TUV	Prednostný snímač TUV
8	NTC DHW sensor	Czujnik NTC c.w.u.	Sonda NTC TUV	Sonda NTC TUV
9	Hydraulic Pressure Sensor	Czujnik ciśnienia hydraulicznego	Hydraulický tlakový snímač	Snímač hydraulického tlaku
10	3-way valve with motor	Zawór 3-drogowy z silownikiem	Trojcestný motorizovaný ventil	Trojcestný motorizovaný ventil
11	Non-return valve	Zawór zwrotny	Zpětný ventil	Spätný ventil
12	DHW heat exchanger	Wymiennik c.w.u.	Výměnník TUV	Výmenník TUV
13	Gas valve	Zawór gazowy	Plynový ventil	Plynový ventil
14	Safety thermostat	Termostat zabezpieczający	Bezpečnostní termostat	Bezpečnostný termostat
15	NTC heating sensor (flow/return)	Czujnik NTC c.o. (zasilanie/powrót)	Sonda topení NTC	Sonda NTC vykurovania
16	Fumes sensor	Czujnik spalin	Sonda spalin	Sonda spalin
17	Coaxial connector	Przyłącze koncentryczne	Koaxiální spoj	Koaxiálny spoj
18	Water-fumes exchanger	Wymiennik woda-spaliny	Výměnník voda-spaliny	Výmenník voda-spaliny
19	Ignition electrode	Elektroda zapłonowa	Zapalovací elektroda	Zapalovacia elektroda
20	Burner	Palnik	Hořák	Horák
21	Flame detection electrode	Elektroda jonizacyjna	Kontrolní elektroda plamene	Kontrolná elektroda plameňa
22	Air/gas blend manifold	Kolektor mieszanki pow.-gazowej	Kolektor směsi vzduch-plyn	Kolektor zmesi vzduch-plyn
23	Fan	Wentylator	Ventilátor	Ventilátor
24	Venturi	Venturi	Venturiho trubice	Venturiho trubica
25	Expansion vessel	Naczynie wzbiorcze	Expanzní nádoba	Expanzná nádoba
26	Automatic by-pass	Obejście automatyczne	Automatický by-pass	Automatický by-pass
27	Boiler filling tap with non-return valve	Kurek do napełniania z zaworem zwrotnym	Napouštěcí ventil se zpětným ventilem	Napouštěcí ventil so spätým ventiliom
A	Siphon with condensate drain	Syfon ze odprowadz. kondensatu	Sifon s vypuštěním kondenzace	Sifon s vypúšťaním kondenzácie
B	Heating flow tap	Zawór zasilania wodą grzewczą	Přívodní ventil vody vytápění	Prívodný ventil vody vykurovania
C	DHW outlet/Storage boiler	Wypływ c.w.u./podgrzewacz pojemn.	Výstup teplé vody TUV/bojler	Vypustenie teplej vody TUV/bojlera
D	Gas inlet tap	Zawór wlotowy gazu	Vstupní ventil PLYN	Vstupný ventil PLYNU
E	Cool DHW inlet tap	Zawór wlotowy wody zimnej użytk.	Vstupní ventil studené vody TUV	Vstupný ventil studenej vody TUV
F	Heating return tap	Zawór powrotu wody grzewczej	Zpětný ventil vody topení	Spätý ventil vykurovanej vody

MPX 24



MPX 20/24 MI - MPX 24/28 MI - MPX 28/33 MI

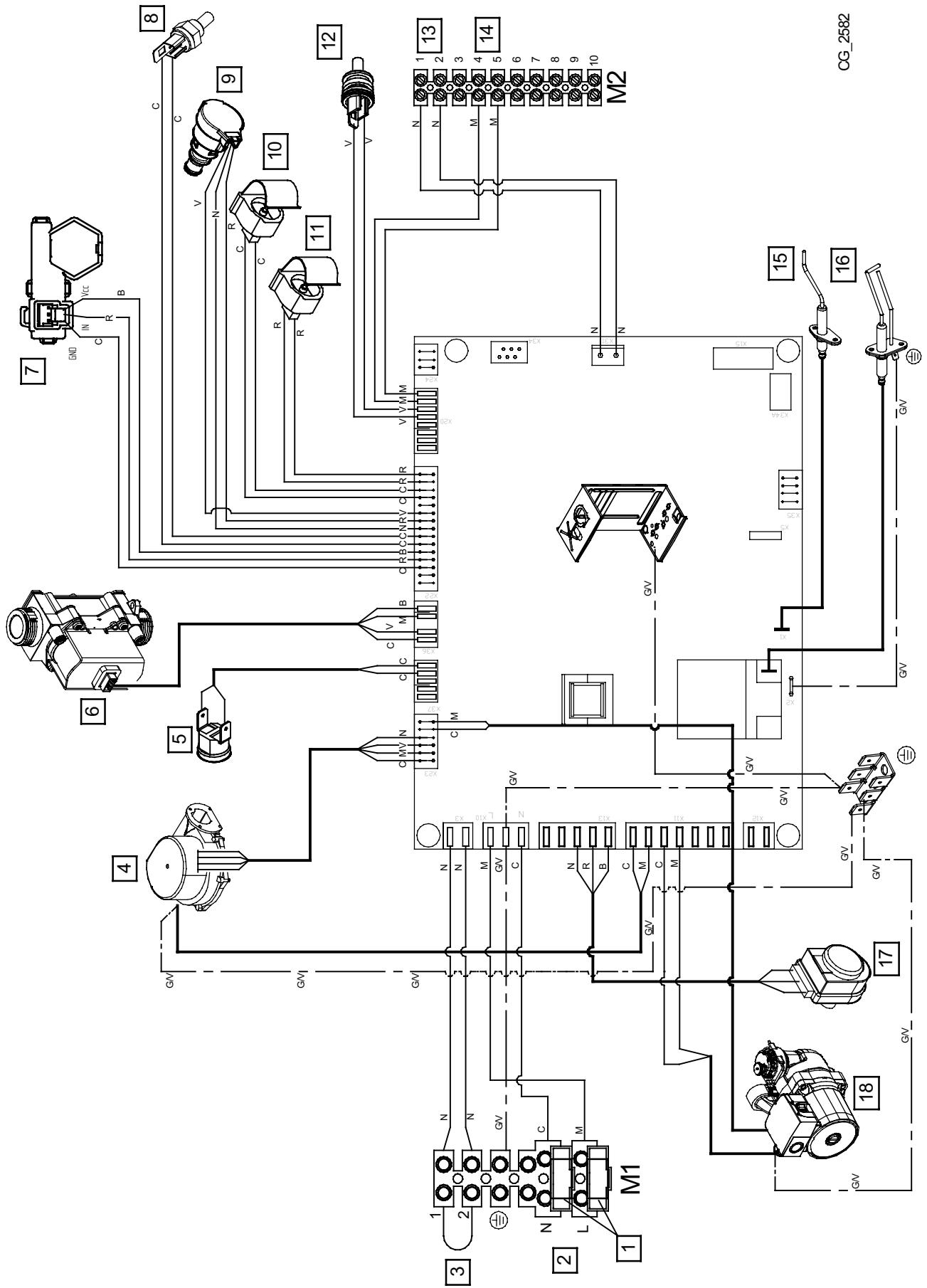


CG_2212

	fr	ro	el	ru
1	Pompe avec séparateur d'air	Pompă cu separator aer	Αντλία με διαχωριστή αέρα	Насос с воздушным сепаратором
2	Robinet d'évacuation chaudière	Robinet de golire centrală	Στρόφιγγα αποστράγγισης λέβητα	Кран слива котла
3	Manomètre	Manometru	Μανόμετρο	Манометр
4	Souape de sécurité hydraulique	Valvă de siguranță hidroauidică	Υδραυλική βαλβίδα ασφαλείας	Аварийный гидравлический клапан
5	Robinet de remplissage installation	Robinet de umplere instalație	Στρόφιγγα τροφοδοσίας εγκατάστασης	Кран наполнения оборудования
6	Capteur de flux avec filtre et limiteur de débit	Senzor de flux cu limitator de debit	Αισθητήρας ροής με φίλτρο και περιοριστή παροχής	Датчик жидкости с фильтром и ограничителем вместимости
7	Capteur de priorité sanitaire	Senzor de prioritate apă caldă menajeră	Αισθητήρας προτεραιοτήτας ζεστού νερού οικιακής χρήσης	Датчик санитарного преимущества
8	Sonde NTC sanitaire	Sondă NTC circuit apă menajeră	Αισθητήρας NTC ζεστού νερού οικιακής χρήσης	Санитарный зонд с отрицательным температурным коэффициентом
9	Capteur de pression hydraulique	Senzor presiune hidroauidic	Υδραυλικός αισθητήρας πίεσης	Гидравлический датчик давления
10	Vanne motorisée à trois voies	Vană cu 3 căi motorizată	Τρίοδη βαλβίδα μηχανοκίνητη	Моторизованный трехступенчатый клапан
11	Souape de non-retour	Supapă de sens	Ανεπίστροφη βαλβίδα	Запорный клапан
12	Échangeur sanitaire	Schimbător apă caldă menajeră	Ανταλλάκτης ζεστού νερού οικιακής χρήσης	Санитарный обменник
13	Vanne gaz	Vană de gaz	Βαλβίδα αερίου	Газовый клапан
14	Thermostat de sécurité	Termostat de siguranță	Θερμοστάτης ασφαλείας	Аварийный термостат
15	Sonde NTC chauffage	Sondă NTC circuit de încălzire	Αισθητήρας θέρμανσης NTC	Зонд нагревания с отрицательным температурным коэффициентом
16	Sonde fumées	Sondă gaze arse	Αισθητήρας καπνών	Дымовой зонд
17	Raccord coaxial	Racord coaxial	Ομοαξονικό ρακόρ	Соосное соединение
18	Échangeur eau-fumées	Schimbător apă-gaze arse	Ανταλλάκτης νερού-καπνών	Водо-дымовой обменник
19	Électrode d'allumage	Electrod de aprindere	Ηλεκτρόδιο ανάφλεξης	Электрод зажигания
20	Brûleur	Arzător	Καυστήρας	Горелка
21	Électrode de détection de flamme	Electrod de detectare a flăcării	Ηλεκτρόδιο ανίχνευσης φλόγας	Электрод открытия огня
22	Collecteur mélange air-gaz	Colector amestec aer/gaz	Συλλέκτης μίγματος αέρα-αερίου	Коллектор смешения воды и газа
23	Ventilateur	Ventilator	Ανεμιστήρας	Вентилятор
24	Venturi	Venturimetru	Venturi	Трубки Вентури
25	Vase d'expansion	Vas de expansiune	Δοχείο εκτόνωσης	Сосуд расширения
26	By-pass automatique	By-pass automat	By-pass αυτόματο	Автоматический байпас
27	Robinet de remplissage avec soupape de non-retour	Robinet de umplere cu supapă de sens	Στρόφιγγα τροφοδοσίας με ανεπίστροφη βαλβίδα	Кран наполнения с запорным клапаном
A	Siphon avec évacuation des condensats	Sifon cu conductă de evacuare a condensului	Σιφόνιο με εκκένωση συμπυκνωμάτων	Сифон со сливом конденсата
B	Robinet départ eau de chauffage	Robinet tur încălzire	Στρόφιγγα παροχής νερού θέρμανσης	Кран подачи воды для отопления
C	Sortie eau chaude sanitaire/Ballon	leșire apă caldă menajeră/Boiler	Έξοδος ζεστού νερού οικιακής χρήσης/Μπόιλερ	Выход горячей санитарной воды / бойлер
D	Robinet entrée GAZ	Robinet intrare GAZ	Στρόφιγγα εισόδου ΑΕΡΙΟΥ	Кран на входе газа
E	Robinet entrée eau froide sanitaire	Robinet intrare apă rece menajeră	Στρόφιγγα εισόδου κρύου νερού οικιακής χρήσης	Кран на входе холодной санитарной воды
F	Robinet retour eau chauffage	Robinet retur încălzire	Στρόφιγγα επιστροφής νερού θέρμανσης	Кран обратной подачи воды для отопления

MPX 20/24 MI - MPX 24/28 MI - MPX 28/33 MI

SECTION B

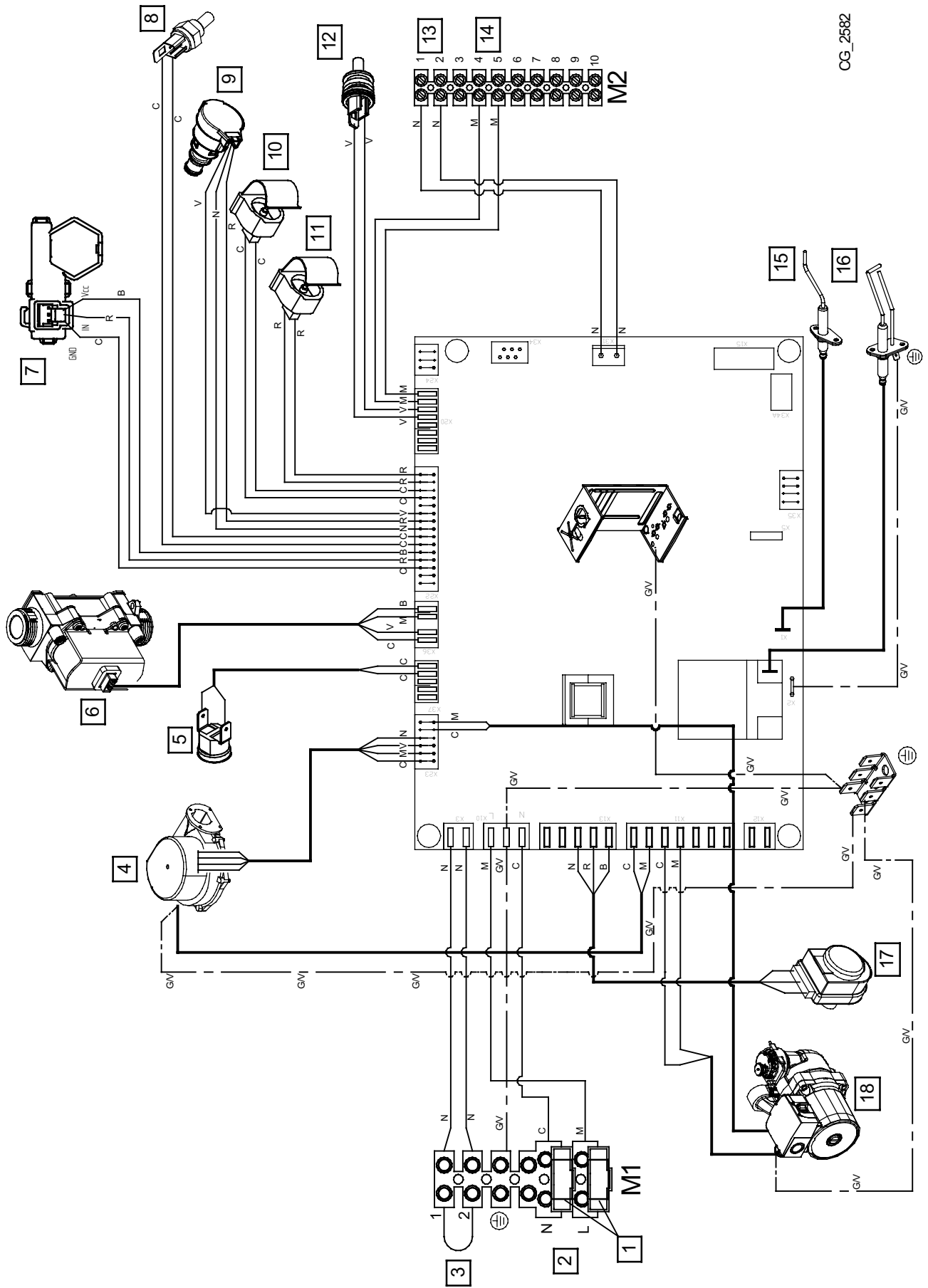


CG_2582

	en	pl	cs	sk
1	Fuses	Bezpieczniki	Pojistky	Pojistky
2	230 V Power Supply	Zasilanie elektryczne 230 V	Napájací síť	Napájacia sieť
3	Room Thermostat (RT)	Termostat pokojowy (RT)	Prostorový termostat (PT)	Priestorový termostat (PT)
4	Fan	Wentylator	Ventilátor	Ventilátor
5	Safety Thermostat	Termostat zabezpieczający	Bezpečnostní termostat	Bezpečnostný termostat
6	Gas valve	Zawór gazowy	Plynová armatúra	Plynová armatúra
7	DHW priority sensor	Czujnik przepływu c.w.u.	Čidlo přednosti TUV	Čidlo prednosti TUV
8	Fumes sensor	Czujnik spalin	Sonda spalin	Sonda spalin
9	Water pressure sensor	Czujnik ciśnienia	Tlakový spínač	Tlakový spínač
10	Heating return sensor	Czujnik powrotu c.o.	Sonda zpátečky topení	Sonda spätačky kúrenia
11	Heating flow sensor	Sonda przepływu ogrzewania	Sonda vstupu topení	Sonda vstupu kúrenia
12	NTC DHW sensor	Czujnik NTC c.w.u.	Sonda NTC TUV	Sonda NTC TUV
13	Accessories connection	Podłączenie wyposażenia dodatk.	Ovládací panel (na stěně)	Ovládací panel (na stene)
14	Outdoor sensor	Czujnik zewnętrzny	Vnější sonda	Vonkajšia sonda
15	Flame sensor electrode	Elektroda jonizacyjna	Kontrolní elektroda plamene	Kontrolná elektroda plameňa
16	Ignition electrode	Elektroda zapłonowa	Zapalovací elektroda	Zapalovacia elektroda
17	Diverter valve motor	Silownik zaworu 3-drogowego	Trojcestný ventil	Trojcestný ventil
18	Pump	Pompa	Čerpadlo	Čerpadlo
C	Blue	Niebieski	Modrá	Modrá
M	Brown	Brązowy	Hnědá	Hnědá
N	Black	Czarny	Černá	Čierna
R	Red	Czerwony	Červená	Červená
G/V	Yellow/Green	Żółto-zielony	Žlutá/Zelená	Žltá/Zelená
V	Green	Zielony	Zelená	Zelená
B	White	Biały	Bílá	Biela
G	Grey	Szary	Šedá	Šedá
Y	Yellow	Żółty	Žlutá	Žltá
P	Violet	Fioletowy	Fialová	Fialová

MPX 20/24 MI - MPX 24/28 MI - MPX 28/33 MI

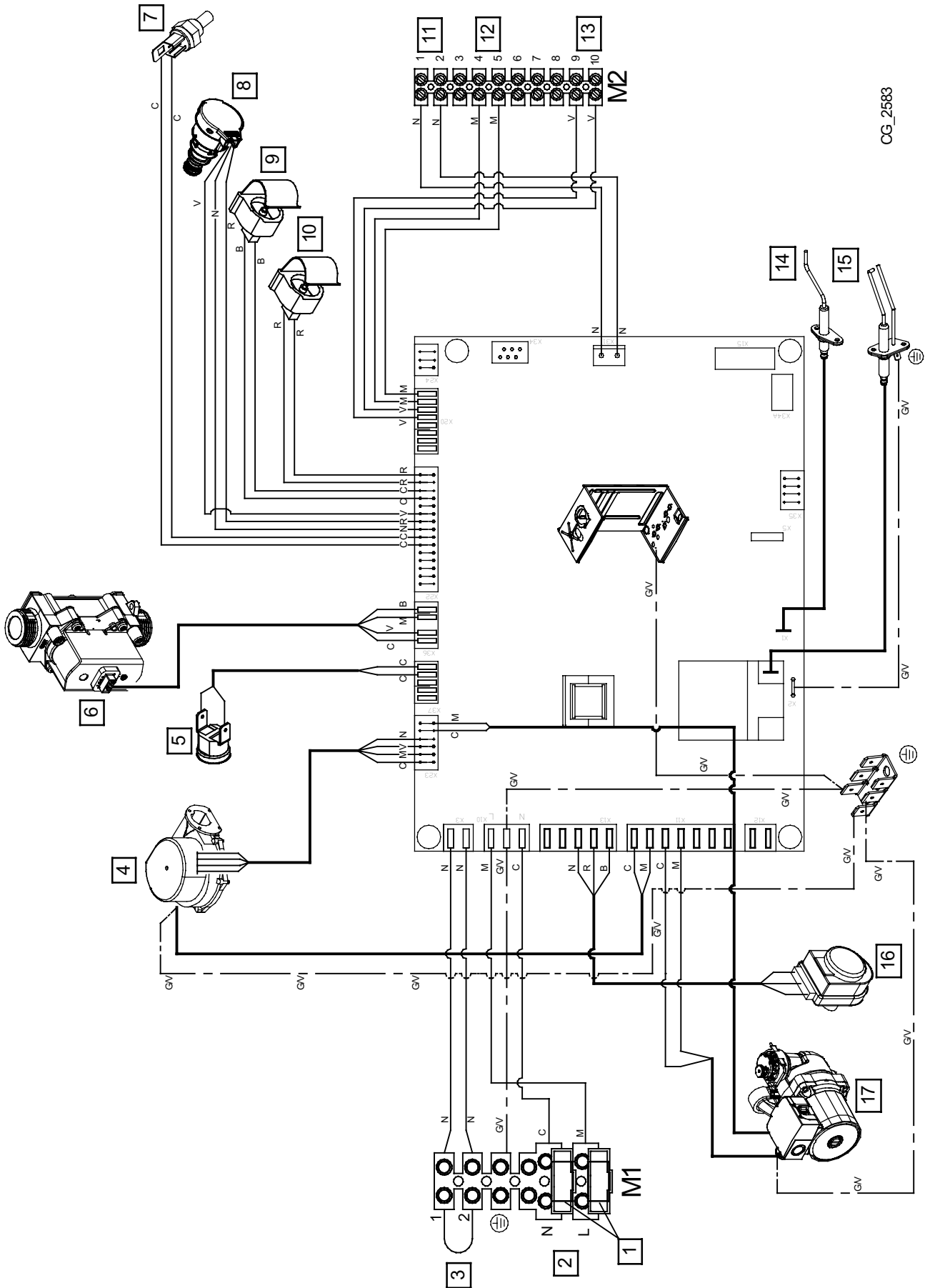
SECTION B



CG_2582

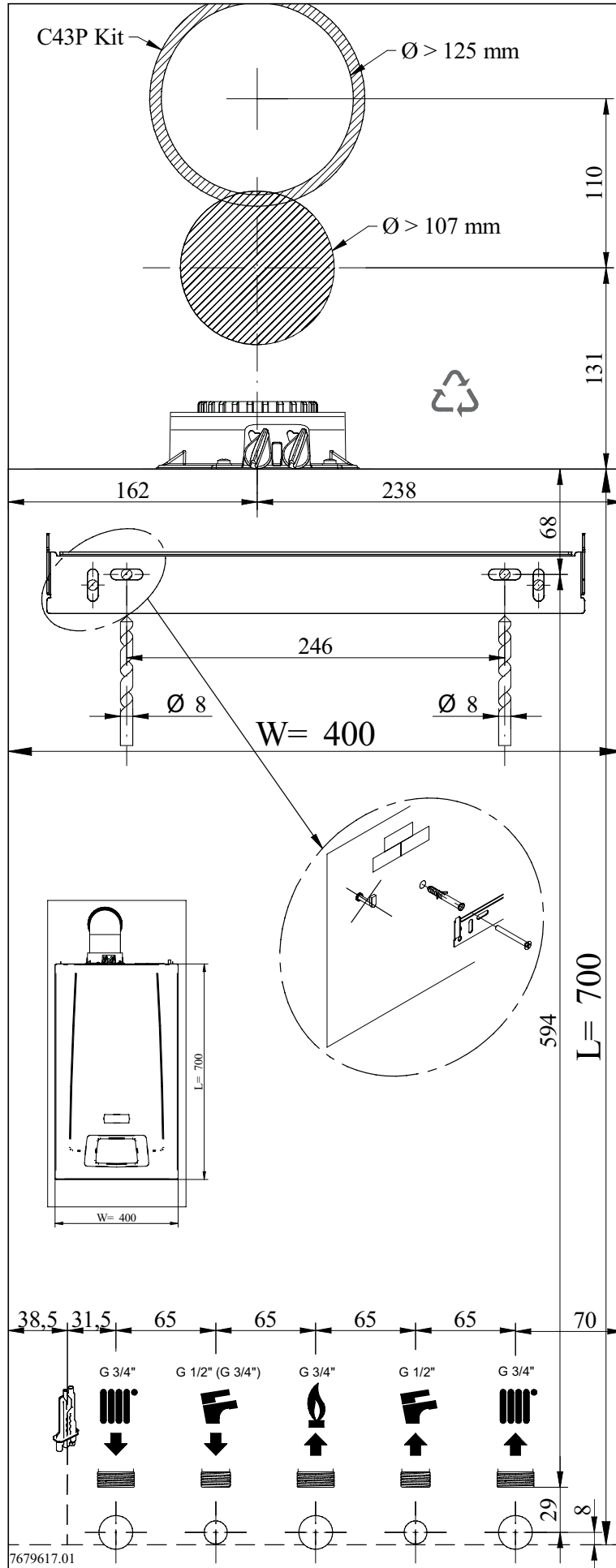
	fr	ro	el	ru
1	Fusibles	Fuzibili	Ασφάλειες	Предохранители
2	Alimentation électrique 230 V	Alimentare cu energie electrică 230 V	Ηλεκτρική τροφοδοσία 230 V	Электропитание 230 В
3	Thermostat d'Ambiance (TA)	Termostat de ambient (TA)	Θερμοστάτης Περιβάλλοντος (ΤΑ)	Комнатный термостат (ТА)
4	Ventilateur	Ventilator	Ανεμιστήρας	вентилятора,
5	Thermostat de sécurité	Termostat de siguranță	Θερμοστάτης ασφαλείας	Предохранительный термостат
6	Vanne gaz	Vana de gaz	Βαλβίδα αερίου	газового клапана,
7	Capteur de priorité sanitaire	Senzor de prioritate apă caldă menajeră	Αισθητήρας προτεραιότητας ζεστού νερού οικιακής χρήσης	Датчик приоритета ГВС
8	Sonde fumées	Sondă gaze arse	Αισθητήρας καπνών	Датчик температуры отходящих газов
9	Capteur de pression	Senzor presiune	Αισθητήρας πίεσης	Датчик давления
10	Sonde retour chauffage	Sondă retur încălzire	Αισθητήρας επιστροφής θέρμανσης	Датчик температуры возврата отопления
11	Sonde départ chauffage	Sondă tur încălzire	Αισθητήρας παροχής θέρμανσης	Датчик температуры подачи отопления
12	Sonde NTC sanitaire	Sondă NTC circuit apă menajeră	Αισθητήρας NTC ζεστού νερού οικιακής χρήσης	Датчик температуры горячей воды
13	Branchement accessoires	Conectare accesorii	Σύνδεση αξεσουάρ	Подсоединение аксессуаров
14	Sonde extérieure	Sondă externă	Αισθητήρας εξωτερικός	Уличный датчик температуры
15	Électrode de détection de flamme	Electrod de detectare a flăcării	Ηλεκτρόδιο ανίχνευσης φλόγας	Электрод детектор пламени
16	Électrode d'allumage	Electrod de aprindere	Ηλεκτρόδιο ανάφλεξης	Электрод розжига
17	Vanne motorisée à trois voies	Vană cu 3 căi motorizată	Τριόδη βαλβίδα μηχανοκίνητη	Трехходовой клапан с сервоприводом
18	Pompe	Pompă	Αντλία	Насос
C	Bleu	Albastru	Γαλανό	Голубой
M	Marron	Maro	Καφέ	Коричневый
N	Noir	Negru	Μαύρο	Черный
R	Rouge	Roșu	Κόκκινο	Красный
GV	JauneVert	GalbenVerde	Κίτρινοπράσινο	Желтый/зеленый
V	Vert	Verde	Πράσινο	Зеленый
B	Blanc	Alb	Λευκό	Белый
G	Gris	Gri	Γκρι	Серый
Y	Jaune	Galben	Κίτρινο	Желтый
P	Violet	Violet	Μοβ	Фиолетовый

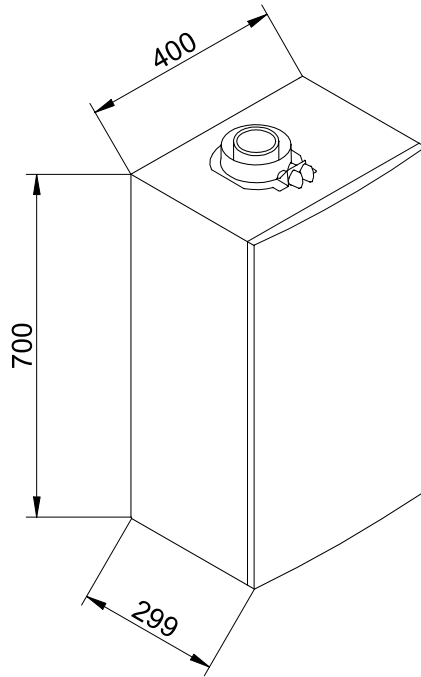
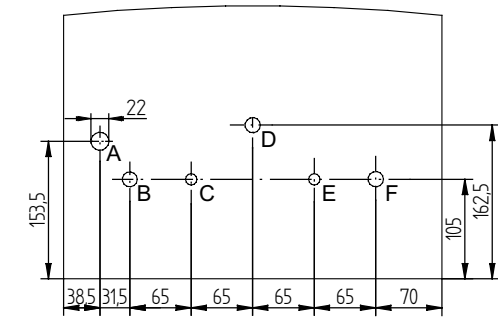
	en	pl	cs	sk
1	Fuses	Bezpieczniki	Pojistky	Pojistky
2	230 V Power Supply	Zasilanie elektryczne 230 V	Napájeci síť 230 V	Napájacia sieť 230 V
3	Room Thermostat (RT)	Termostat pokojowy (RT)	Prostorový termostat (PT)	Priestorový termostat (PT)
4	Fan	Wentylator	Ventilátor	Ventilátor
5	Safety Thermostat	Termostat zabezpečujúcy	Bezpečnostní termostat	Bezpečnostný termostat
6	Gas valve	Zawór gazowy	Plynová armatura	Plynová armatúra
7	Fumes sensor	Czujnik spalin	Sonda spalin	Sonda spalin
8	Water pressure sensor	Czujnik ciśnienia	Tlakový spínač	Tlakový spínač
9	Heating return sensor	Czujnik powrotu c.o.	Sonda zpátečky topení	Sonda spätočky kúrenia
10	Heating flow sensor	Sonda przepływu ogrzewania	Sonda vstupu topení	Sonda vstupu kúrenia
11	Accessories connection	Podłączenie wyposażenia dodatk.	Ovládací panel (na stěně)	Ovládací panel (na stene)
12	Outdoor sensor	Czujnik zewnętrzny	Vnější sonda	Vonkajšia sonda
13	Boiler NTC DHW sensor	Czujnik NTC podgrzewacza c.w.u.	Sonda NTC externího zásobníku	Sonda NTC externého zásobníka
14	Flame sensor electrode	Elektroda jonizacyjna	Kontrolní elektroda plamene	Kontrolná elektroda plameňa
15	Ignition electrode	Elektroda zapłonowa	Zapalovací elektroda	Zapalovacia elektroda
16	Diverter valve motor	Sílovnik zaworu 3-drogowego	Trojcestný ventil	Trojcestný ventil
17	Pump	Pompa	Čerpadlo	Čerpadlo
C	Blue	Niebieski	Modrá	Modrá
M	Brown	Brązowy	Hnědá	Hnědá
N	Black	Czarny	Černá	Čierna
R	Red	Czerwony	Červená	Červená
G/V	Yellow/Green	Żółto-zielony	Žlutá/Zelená	Žltá/Zelená
V	Green	Zielony	Zelená	Zelená
B	White	Biały	Bílá	Biele
G	Grey	Szary	Šedá	Šedá
Y	Yellow	Żółty	Žlutá	Žltá
P	Violet	Fioletowy	Fialová	Fialová



CG_2583

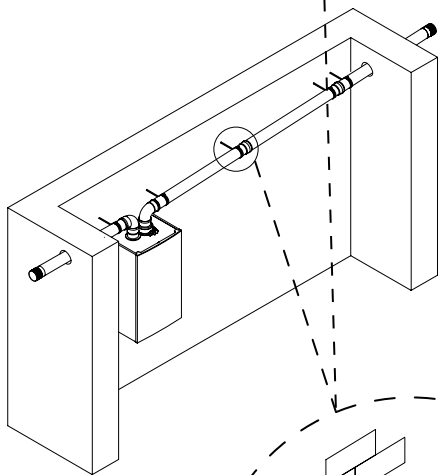
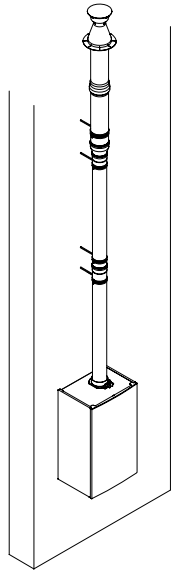
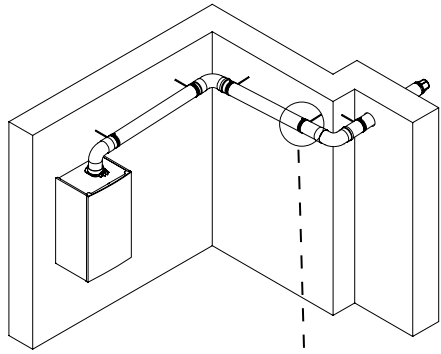
	fr	ro	el	ru
1	Fusibles	Fuzibili	Ασφάλειες	Предохранители
2	Alimentation électrique 230 V	Alimentare cu energie electrică 230 V	Ηλεκτρική τροφοδοσία 230 V	Электропитание 230 В
3	Thermostat d'Ambiance (TA)	Termostat de ambiant (TA)	Θερμοστάτης Περιβάλλοντος (ΤΑ)	Комнатный термостат (ТА)
4	Ventilateur	Ventilator	Ανεμιστήρας	вентилятора,
5	Thermostat de sécurité	Termostat de siguranță	Θερμοστάτης ασφαλείας	Предохранительный термостат
6	Vanne gaz	Vana de gaz	Βαλβίδα αερίου	газового клапана,
7	Sonde fumées	Sondă gaze arse	Αισθητήρας καπνών	Датчик температуры отходящих газов
8	Capteur de pression	Senzor presiune	Αισθητήρας πίεσης	Датчик давления
9	Sonde retour chauffage	Sondă retur încălzire	Αισθητήρας επιστροφής θέρμανσης	Датчик температуры возврата отопления
10	Sonde départ chauffage	Sondă tur încălzire	Αισθητήρας παροχής θέρμανσης	Датчик температуры подачи отопления
11	Branchement accessoires	Conectare accesorii	Σύνδεση αξεσουάρ	Подсоединение аксессуаров
12	Sonde extérieure	Sondă externă	Αισθητήρας εξωτερικός	Уличный датчик температуры
13	Sonde NTC ballon sanitaire	Sondă NTC boiler apă menajeră	Αισθητήρας NTC μπάλιερ ζεστού νερού οικιακής χρήσης	Датчик температуры бойлера горячей воды
14	Électrode de détection de flamme	Electrod de detectare a flăcărilor	Ηλεκτρόδιο ανίχνευσης φλόγας	Электрод детектор пламени
15	Électrode d'allumage	Electrod de aprindere	Ηλεκτρόδιο ανάφλεξης	Электрод розжига
16	Vanne motorisée à trois voies	Vană cu 3 căi motorizată	Τριόδη βαλβίδα μηχανοκίνητη	Трехходовой клапан с сервоприводом
17	Pompe	Pompă	Αντλία	Насос
C	Bleu	Albastru	Γαλανό	Голубой
M	Marron	Maro	Καφέ	Коричневый
N	Noir	Negru	Μαύρο	Черный
R	Rouge	Roșu	Κόκκινο	Красный
G/V	Jaune/Vert	Galben/Verde	Κίτρινο/πράσινο	Желтый/зеленый
V	Vert	Verde	Πράσινο	Зеленый
B	Blanc	Alb	Λευκό	Белый
G	Gris	Gri	Γκρι	Серый
Y	Jaune	Galben	Κίτρινο	Желтый
P	Violet	Violet	Μοβ	Фиолетовый



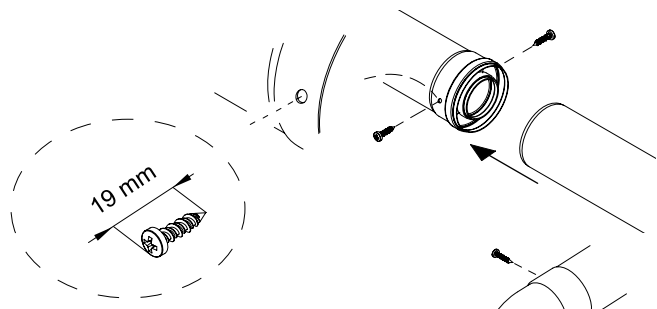
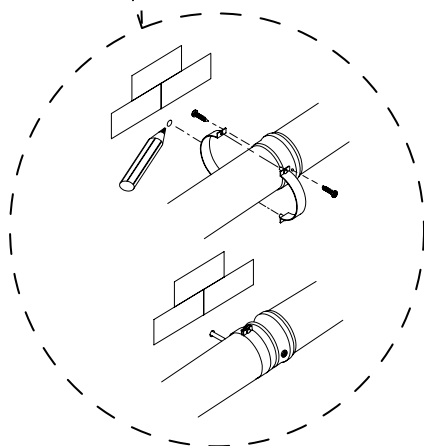


SECTION C

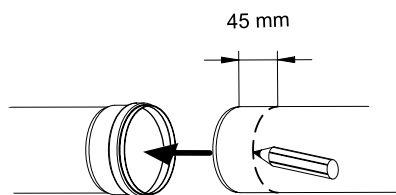
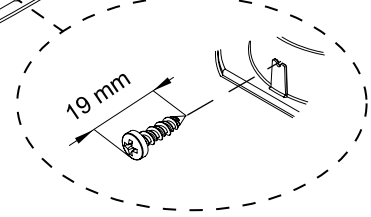
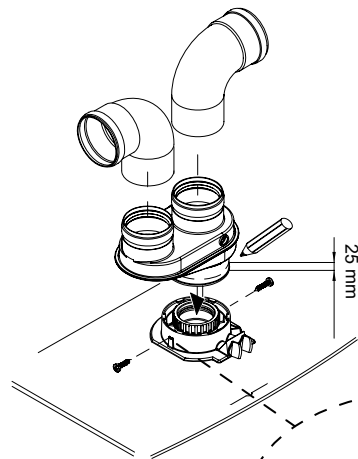
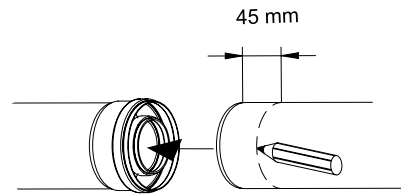
SECTION D

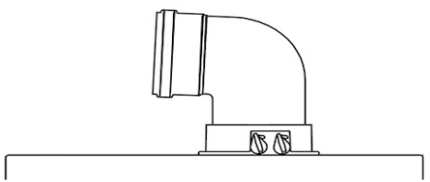


CG_2275

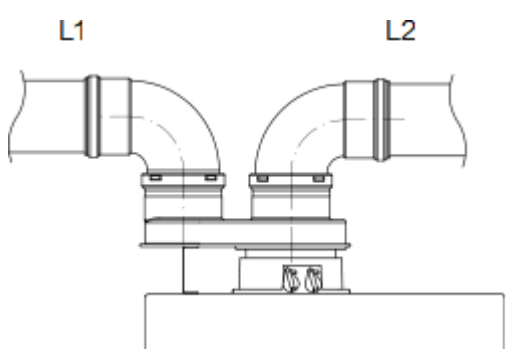
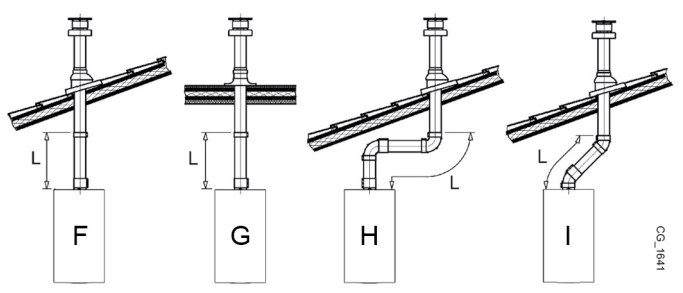
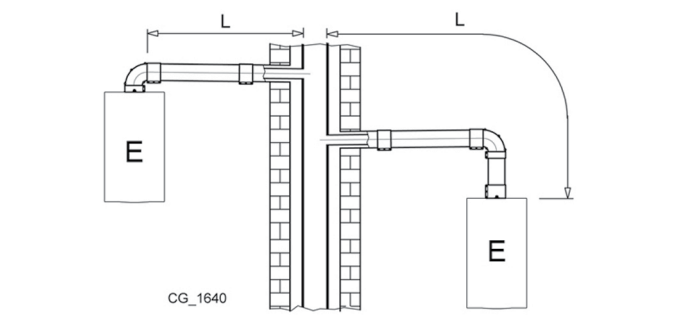
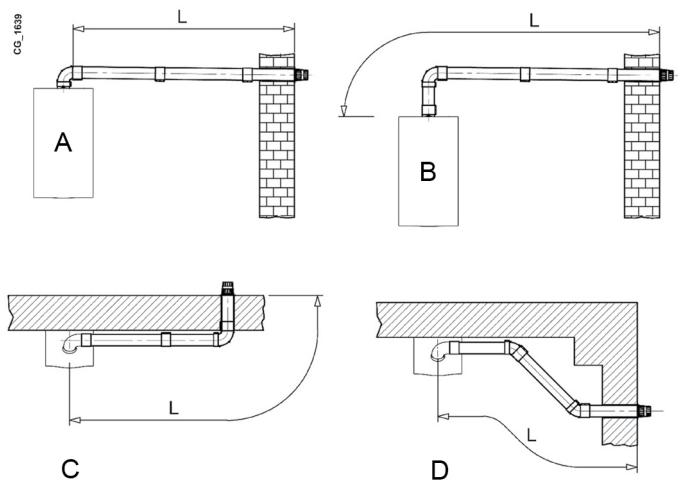


CG_2274

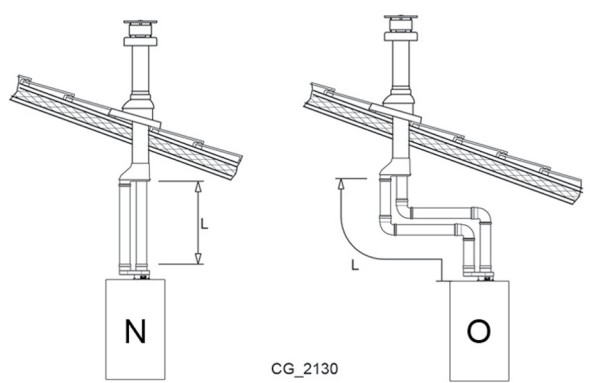
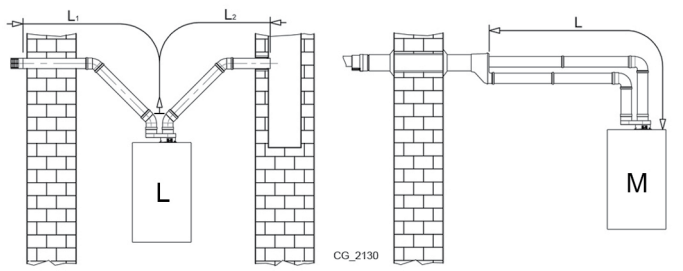


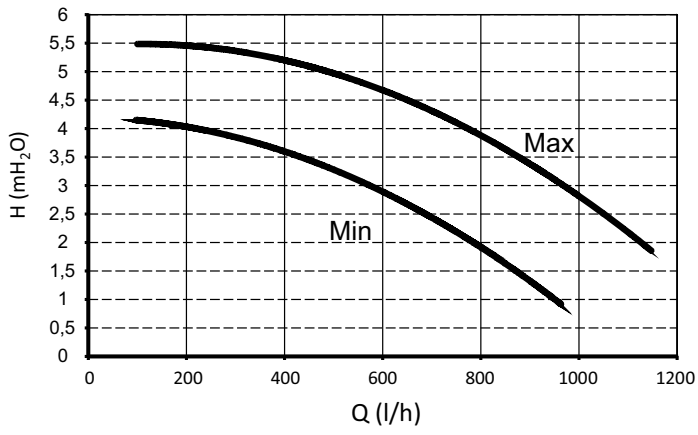
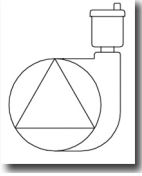


A B	Lmax = 10 m - Ø 60/100 mm
	Lmax = 25 m - Ø 80/125 mm
C D	Lmax = 9 m - Ø 60/100 mm
	Lmax = 24 m - Ø 80/125 mm
E	Lmax = 10 m - Ø 60/100 mm
	Lmax = 25 m - Ø 80/125 mm
F G	Lmax = 10 m - Ø 60/100 mm
	Lmax = 25 m - Ø 80/125 mm
H	Lmax = 8 m - Ø 60/100 mm
	Lmax = 23 m - Ø 80/125 mm
I	Lmax = 9 m - Ø 60/100 mm
	Lmax = 24 m - Ø 80/125 mm

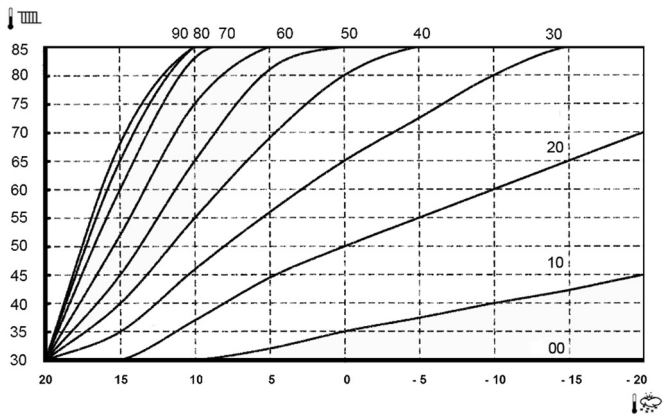


L	(L1+L2) max = 80 m - Ø 80 mm L1 max = 15 m
M	L max = 15 m
N	L max = 15 m
O	L max = 14 m



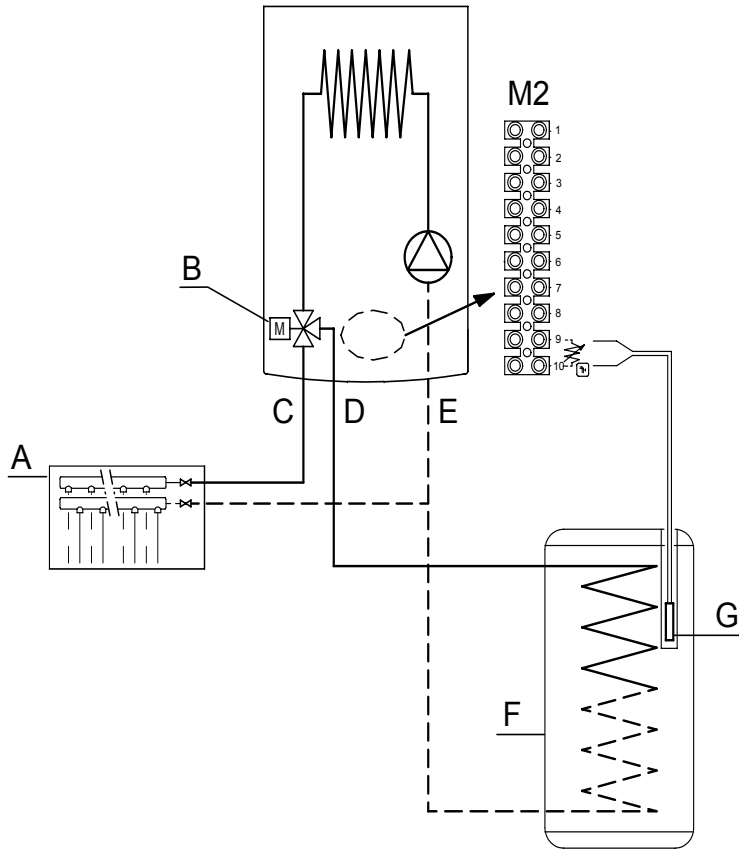


SIEMENS
QAC34



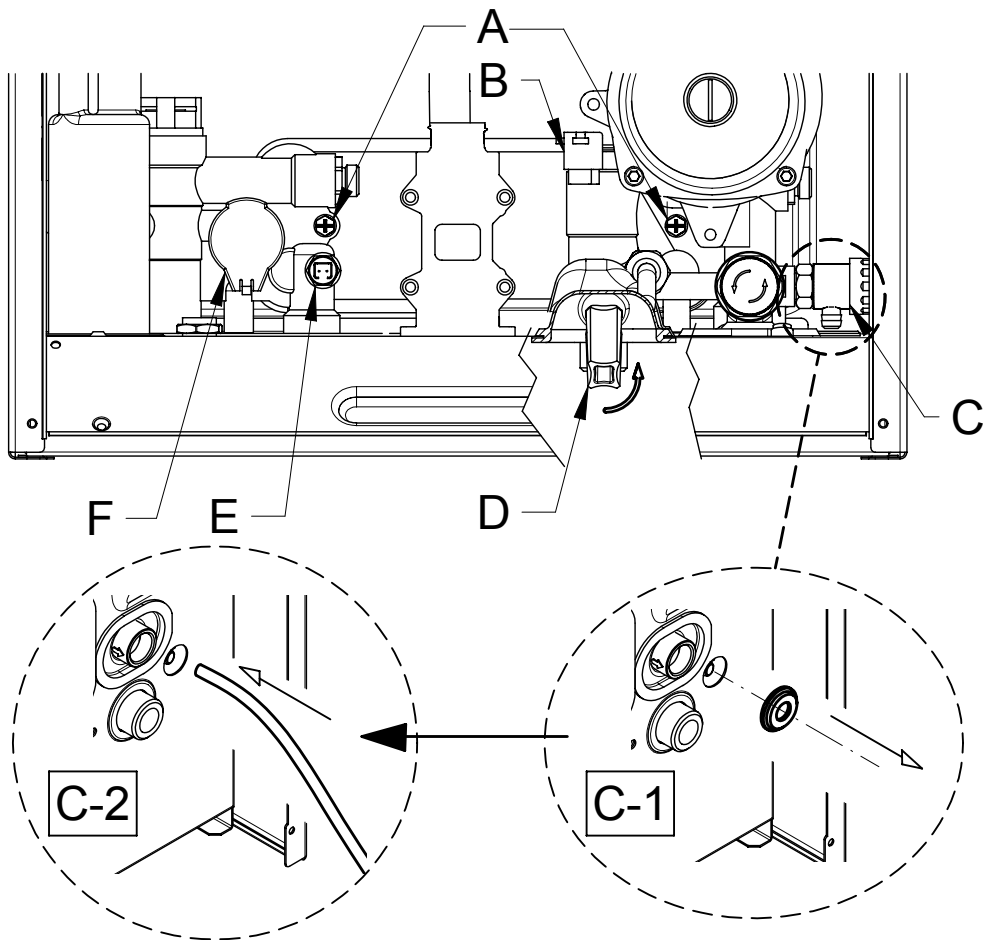
SECTION E

A



CG_2171

CG_2353



SECTION F

De Dietrich 

DE DIETRICH THERMIQUE

57, rue de la Gare F-67580 MERTZWILLER - BP30